

CAPTIVE PANEL SCREWS

(PANEL SCREW - EXTERNALLY RELIEVED BODY) Per FSC-5305-120

Type 1: For captive panel retainers used with these screws see pages 80 and 81.

- Material**
- SS-Corrosive Resisting Steel (Stainless Steel): ASTM A581-75 thru 1/2 O.D. over 1/2 AMS-5762.
 - B-Brass: QQ-B-626 Comp 22 1/2 Hard.
 - NOTE: Available in other materials on special order - Price on Application.

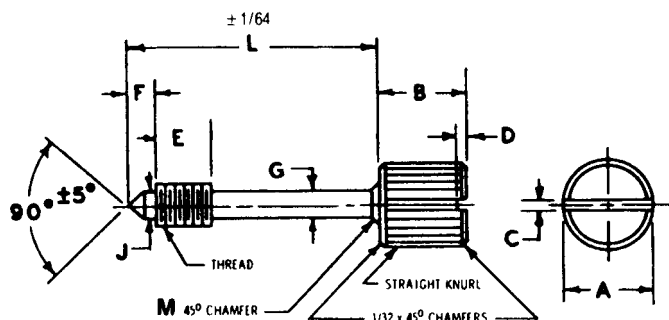
- Standard Finish**
- For Corrosive Resisting Steel (SS): Amatom Finish No. 7 - Passivate per cres QQ-P-35.
 - For Brass (B): Amatom Finish No. 4 - Nickel plate - QQ-N-290 Grade G.

- Head**
- Brushed and Polished Heads - Available on special order only.

- Threads**
- UNC-2A and UNF-2A per National Bureau of Standards Handbook H28 titled "Screw-Thread Standards for Federal Services."

- Workmanship**
- To high precision standards.

- Quality Control**
- To MIL-STD-105. Made for use on government equipment.



- Notes:**
- Any similar type captive screw in any increment of body or thread length is available on special order. Price on application.
 - Parts normally stocked slotted. Unslotted available on order. Price on application.
 - The stainless steel captive screws are made to MIL-E-16400 (ships).
 - Available "Burr Free" for ultra precision parts. Price on application.

Type 1. (Refer to Table 1 and 2)

"A" is the dimension of the head before knurling.

TABLE 1 - Screw Dimensions

For Part No. of Lengths refer to Table 2 under Required Thread Size and Material

THREAD	MATERIAL		A ±.005	B ±1/64	C ±.005	D +.010 -.005	E ±.015	F REF.	G ±.005	J +.000 -.016	KNURL	M
	BRASS	STAIN- LESS STEEL									TEETH PER INCH	CHAMFER 45° MAX.
4-40 UNC-2A	B	SS	5/16	5/16	.047	.078	.125	5/64	.078	.078	40	.022
6-32 UNC-2A	B	SS	5/16	5/16	.047	.078	.212	3/32	.095	.095	40	.022
8-32 UNC-2A	B	SS	5/16	5/16	.047	.078	.212	3/32	.120	.120	40	.022
10-24 UNC-2A	B	SS	3/8	7/16	.063	.094	.250	5/32	.130	.130	40	.030
10-32 UNF-2A	B	SS	3/8	7/16	.063	.094	.250	5/32	.130	.130	40	.030
1/4-20 UNC-2A	B	SS	1/2	9/16	.078	.094	.313	3/16	.175	.175	30	.038
1/4-28 UNF-2A	B	SS	1/2	9/16	.078	.094	.313	3/16	.175	.175	30	.038
5/16-18 UNC-2A	B	SS	5/8	11/16	.094	.125	.375	1/4	.230	.230	30	.041
5/16-24 UNF-2A	-	SS	5/8	11/16	.094	.125	.375	1/4	.230	.230	30	.041

5 Pasco Hill Road • Cromwell, CT 06416-1093

Phone: 860-828-0847 • Call Toll Free: 800-243-6032 • Fax: 860-828-0381

Web Address: <http://www.amatom.com> • E-Mail: sales@amatom.com

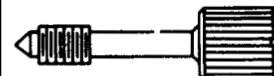
CAPTIVE PANEL SCREWS

(PANEL SCREW - EXTERNALLY RELIEVED BODY) Per FSC-5305-120

TABLE 2 - Type 1

For all dimensions other than length refer to Table 1 (page 68)

Length	Part No.	Threads								
		4-40	6-32	8-32	10-24	10-32	1/4-20	1/4-28	5/16-18	5/16-24
3/8	6100	4-40	6-32							
7/16	6101	4-40	6-32							
1/2	6102	4-40	6-32	8-32						
9/16	6103	4-40	6-32	8-32						
5/8	6104	4-40	6-32	8-32	10-24	10-32	1/4-20			
11/16	6105	4-40	6-32	8-32	10-24	10-32	1/4-20			
3/4	6106	4-40	6-32	8-32	10-24	10-32	1/4-20	1/4-28		
13/16	6107	4-40	6-32	8-32	10-24	10-32	1/4-20	1/4-28		
7/8	6108	4-40	6-32	8-32	10-24	10-32	1/4-20	1/4-28		
15/16	6109	4-40	6-32	8-32	10-24	10-32	1/4-20	1/4-28		
1	6110	4-40	6-32	8-32	10-24	10-32	1/4-20	1/4-28	5/16-18	5/16-24
1-1/16	6111	4-40	6-32	8-32	10-24	10-32	1/4-20	1/4-28	5/16-18	5/16-24
1-1/8	6112	4-40	6-32	8-32	10-24	10-32	1/4-20	1/4-28	5/16-18	5/16-24
1-3/16	6113	4-40	6-32	8-32	10-24	10-32	1/4-20	1/4-28	5/16-18	5/16-24
1-1/4	6114	4-40	6-32	8-32	10-24	10-32	1/4-20	1/4-28	5/16-18	5/16-24
1-5/16	6115	4-40	6-32	8-32	10-24	10-32	1/4-20	1/4-28	5/16-18	5/16-24
1-3/8	6116	4-40	6-32	8-32	10-24	10-32	1/4-20	1/4-28	5/16-18	5/16-24
1-1/2	6117	4-40	6-32	8-32	10-24	10-32	1/4-20	1/4-28	5/16-18	5/16-24
1-3/4	6118	4-40	6-32	8-32	10-24	10-32	1/4-20	1/4-28	5/16-18	5/16-24
2	6119	4-40	6-32	8-32	10-24	10-32	1/4-20	1/4-28	5/16-18	5/16-24

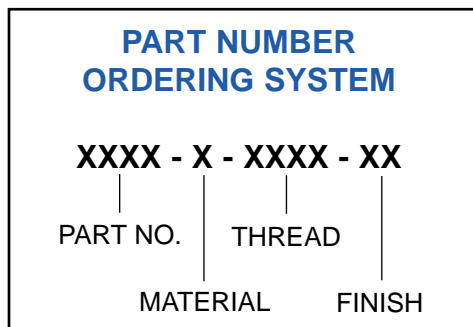


Type 1

Other lengths and threads available on special order, contact sales office.

TOLERANCES as specified in tables.
 Otherwise standard tolerances as follows:
 Decimals ±.005; Fractions ±1/64; Angles ± 5°.

PART NO. indicates the style and length of the screw. The number for each different length in any one style is the same for all head sizes.



Per handbook H-28 (Part 1) Screw Thread Standards (Federal). All threads are Class 2A and 2B (commercial).

Refer To Page 66 For Finish Codes.

CHART A - Materials	
MATERIAL	CODE LETTER
BRASS	B
STEEL	S
STAINLESS STEEL	SS

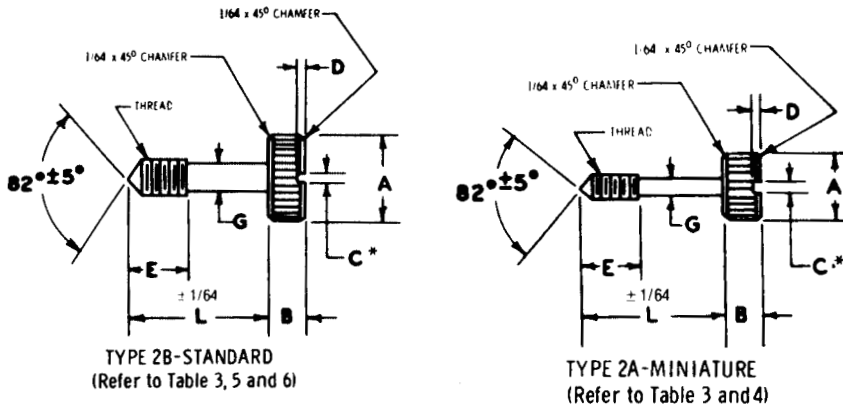
THREAD CODE	
THREAD	CODE
4-40	0440
6-32	0632
8-32	0832
10-24	1024
10-32	1032
1/4-20	2520
1/4-28	2528
5/16-18	3118
5/16-24	3124

CAPTIVE PANEL SCREWS

(PANEL SCREW - EXTERNALLY RELIEVED BODY) Per FSC-5305-120

Type 2: For captive panel retainers used with these screws see pages 82 through 89.

- Material**
- SS-Corrosive Resisting Steel (Stainless Steel): ASTM A581-75 thru 1/2 O.D. over 1/2 AMS-5762.
 - B-Brass: QQ-B-626 Comp 22 1/2 Hard.
 - NOTE: Available in other materials on special order - Price on Application.
- Standard Finish**
- For Corrosive Resisting Steel (SS): Amatom Finish No. 7 - Passivate per cres QQ-P-35
 - For Brass (B): Amatom Finish No. 4 - Nickel plate-QQ-N-290 Grade G.
- Head**
- Polished Head - Standard
 - Brushed Heads - Available on special order only.



- Notes:**
- Any similar type captive screw in any increment of body or thread length is available on special order. Price on application.
 - Parts normally stocked slotted. Unslotted available on order. Price on application.
 - The stainless steel captive screws are made to MIL-E-16400 (ships).
 - Available "Burr Free" for ultra precision parts. Price on application.

"A" is the dimension of the head before knurling.

TABLE 3 - Type 2 Screw Dimensions

For Part No. of Lengths refer to Table 4,5,6 under Required Thread Size and Material.

TYPE	THREAD	MATERIAL		A ±.005	B ±1/64	C ±.005	D +.010 -.005	E ±1/64	G ±.005	TEETH PER INCH
		BRASS	STAIN- LESS STEEL							
2A	4-40 UNC-2A	B	SS	5/16	3/16	.047	.063	9/32	.078	40
2A	6-32 UNC-2A	B	SS	5/16	3/16	.047	.063	9/32	.095	40
2A	6-32 UNC-2A	B	SS	3/8	3/16	.047	.063	9/32	.095	40
2B	8-32 UNC-2A	B	SS	7/16	1/4	.063	.063	3/8	.120	40
2B	10-24 UNC-2A	B	SS	7/16	1/4	.063	.063	3/8	.130	40
2B	10-32 UNF-2A	B	SS	7/16	1/4	.063	.063	3/8	.130	40
2B	12-24 UNC-2A	B	SS	9/16	1/4	.063	.094	3/8	.152	30
2B	1/4-20 UNC-2A	B	SS	9/16	1/4	.063	.094	3/8	.175	30
2B	1/4-20 UNC-2A	B	SS	3/4	1/4	.063	.125	3/8	.175	30
2B	1/4-28 UNF-2A	B	SS	9/16	1/4	.063	.094	3/8	.175	30
2B	1/4-28 UNF-2A	B	SS	3/4	1/4	.063	.125	3/8	.175	30
2B	5/16-24 UNF-2A	-	SS	9/16	1/4	.063	.094	3/8	.235	30

5 Pasco Hill Road • Cromwell, CT 06416-1093

Phone: 860-828-0847 • Call Toll Free: 800-243-6032 • Fax: 860-828-0381

Web Address: <http://www.amatom.com> • E-Mail: sales@amatom.com

CAPTIVE PANEL SCREWS

(PANEL SCREW - EXTERNALLY RELIEVED BODY) Per FSC-5305-120

TABLE 4 - Type 2A - Miniature*

Length	Part No.	Thread		Head Diameter
		4-40	6-32	
21/32	6130	4-40	6-32	5/16
21/32	6135		6-32	3/8
23/32	6131	4-40	6-32	5/16
23/32	6136		6-32	3/8
25/32	6132	4-40	6-32	5/16
25/32	6137		6-32	3/8
27/32	6133	4-40	6-32	5/16
27/32	6138		6-32	3/8
29/32	6134	4-40	6-32	5/16
29/32	6139		6-32	3/8

TABLE 5 - Type 2B - Standard*

Length	Part No.	Thread				Head Diameter
		8-32	10-24	10-32	12-24	
15/16	6140	8-32	10-24	10-32		7/16
15/16	6148				12-24	9/16
1"	6141	8-32	10-24	10-32		7/16
1"	6149				12-24	9/16
1-1/16	6142	8-32	10-24	10-32		7/16
1-1/16	6150				12-24	9/16
1-1/8	6143	8-32	10-24	10-32		7/16
1-1/8	6151				12-24	9/16
1-3/16	6144	8-32	10-24	10-32		7/16
1-3/16	6152				12-24	9/16
1-1/4	6145	8-32	10-24	10-32		7/16
1-1/4	6153				12-24	9/16
1-5/16	6146	8-32	10-24	10-32		7/16
1-5/16	6154				12-24	9/16
1-3/8	6147	8-32	10-24	10-32		7/16
1-3/8	6155				12-24	9/16

TABLE 6 - Type 2B - Standard*

Length	Part No.	Thread			Head Diameter
		1/4-20	1/4-28	5/16-24**	
15/16	6148	1/4-20	1/4-28	5/16-24**	9/16
15/16	6156	1/4-20	1/4-28		3/4
1"	6149	1/4-20	1/4-28	5/16-24**	9/16
1"	6157	1/4-20	1/4-28		3/4
1-1/16	6150	1/4-20	1/4-28	5/16-24**	9/16
1-1/16	6158	1/4-20	1/4-28		3/4
1-1/8	6151	1/4-20	1/4-28	5/16-24**	9/16
1-1/8	6159	1/4-20	1/4-28		3/4
1-3/16	6152	1/4-20	1/4-28	5/16-24**	9/16
1-3/16	6160	1/4-20	1/4-28		3/4
1-1/4	6153	1/4-20	1/4-28	5/16-24**	9/16
1-1/4	6161	1/4-20	1/4-28		3/4
1-5/16	6154	1/4-20	1/4-28	5/16-24**	9/16
1-5/16	6162	1/4-20	1/4-28		3/4
1-3/8	6155	1/4-20	1/4-28	5/16-24**	9/16
1-3/8	6163	1/4-20	1/4-28		3/4

For all dimensions other than length refer to Table 1 (page 68)

*See page 62, Note 1 and Note 4.

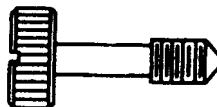
TOLERANCES as specified in tables. Otherwise standard tolerances as follows: Decimals ±.005; Fractions ±1/64; Angles ± 5°.

**Table 6, 5/16-24 available in SS only.

Note: Other lengths available on special order.

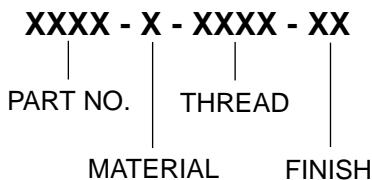
Per handbook H-28 (Part 1) Screw Thread Standards (Federal). All threads are Class 2A and 2B (commercial).

For special threads or parts not listed contact sales office.



PART NO. indicates the style and length of the screw. The number for each different length in any one style is the same for all head sizes. **Unless ordered with a "U", ships slotted.**

PART NUMBER ORDERING SYSTEM



Refer To Page 66 For Finish Codes.

CHART A - Materials

MATERIAL	CODE LETTER
BRASS	B
STEEL	S
STAINLESS STEEL	SS

THREAD CODE

THREAD	CODE
4-40	0440
6-32	0632
8-32	0832
10-24	1024
10-32	1032
12-24	1224
1/4-20	2520
1/4-28	2528
5/16-24	3124

5 Pasco Hill Road • Cromwell, CT 06416-1093

Phone: 860-828-0847 • Call Toll Free: 800-243-6032 • Fax: 860-828-0381

Web Address: <http://www.amatom.com> • E-Mail: sales@amatom.com

CAPTIVE PANEL SCREWS

(PANEL SCREW - EXTERNALLY RELIEVED BODY) Per FSC-5305-120

Type 3: For captive panel retainers used with these screws see page 90 through page 92.

- Material**
- SS-Corrosive Resisting Steel (Stainless Steel):
ASTM A581-75 thru 1/2 O.D. over 1/2 AMS-5762.
 - B-Brass: QQ-B-626 Comp 22 1/2 Hard.
 - NOTE: Available in other materials on special order - Price on application.

- Standard**
- For Corrosive Resisting Steel (SS):
- Finish**
- Amatom Finish No. 7 - Passivate per cres QQ-P-35.
 - For Brass (B):
Amatom Finish No. 4 - Nickel plate-QQ-N-290 Grade G.

- Head**
- Brushed and Polished Heads - Available on special order only.

- Threads**
- UNC-2A and IMF-2A per National Bureau of Standards Handbook H28 titled "Screw-Thread Standards for Federal Services."

- Workmanship**
- To high precision standards.

- Quality Control**
- To MIL-STD-105. Made for use on government equipment.

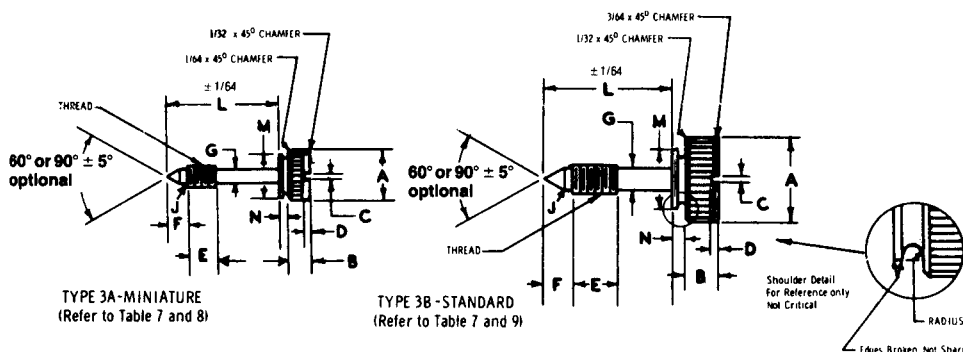
Notes:

- Any similar type captive screw in any increment of body or thread length is available on special order. Price on application.

- Parts normally stocked slotted. Unslotted available on order. Price on application.

- The stainless steel captive screws are made to MIL-E-16400 (ships).

- Available "Burr Free" for ultra precision parts. Price on application.



"A" is the dimension of the head before knurling.

TABLE 7 - Type 3 - Screw Dimensions

For Part No. of Lengths refer to Table 8 and 9 under Required Thread Sizes and Materials.

TYPE	THREAD	MATERIAL		A ±.005	B ±1/64	C ±.005	D +.010 -.005	E ±1/64	F ±1/64	G ±.005	J +.000 -.016	M ±.010	N ±.010	TEETH PER INCH
		BRASS	STAIN- LESS STEEL											
3A	4-40 UNC-2A	B	SS	5/16	1/8	.047	.078	3/16	1/8	.078	.078	13/64	1/16	40
3A	6-32 UNC-2A	B	SS	5/16	1/8	.047	.078	3/16	1/8	.095	.095	13/64	1/16	40
3B	8-32 UNC-2A	B	SS	1/2	3/16	.047	.078	1/4	1/8	.120	.120	13/32	1/16	40
3B	8-32 UNC-2A	B	SS	5/8	3/16	.047	.078	1/4	1/8	.120	.120	1/2	1/16	40
3B	10-32 UNF-2A	B	SS	1/2	3/16	.063	.094	1/4	1/8	.130	.130	13/32	1/16	30
3B	10-32 UNF-2A	B	SS	5/8	3/16	.063	.094	1/4	1/8	.130	.130	1/2	1/16	30
3B	12-24 UNC-2A	B	SS	5/8	3/16	.063	.094	1/4	1/8	.152	.152	1/2	1/16	30
3B	1/4-20 UNC-2A	B	SS	5/8	3/16	.078	.094	1/4	1/8	.175	.175	1/2	1/16	30
3B	1/4-20 UNC-2A	B	SS	3/4	1/4	.078	.094	3/8	1/4	.175	.175	1/2	1/8	30

5 Pasco Hill Road • Cromwell, CT 06416-1093

Phone: 860-828-0847 • Call Toll Free: 800-243-6032 • Fax: 860-828-0381

Web Address: <http://www.amatom.com> • E-Mail: sales@amatom.com

CAPTIVE PANEL SCREWS

(PANEL SCREW - EXTERNALLY RELIEVED BODY) Per FSC-5305-120

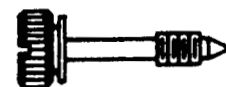
TABLE 8 - Type 3A and 3B

Length	Part No.	Thread	Head Diameter	Type
1/2	6170	4-40, 6-32	5/16	3A
9/16	6171	4-40, 6-32	5/16	3A
5/8	6172	4-40, 6-32	5/16	3A
11/16	6173	4-40, 6-32	5/16	3A
3/4	6174	4-40, 6-32	5/16	3A
3/4	6179	8-32	1/2	3B
3/4	6189	8-32	5/8	3B
13/16	6175	4-40, 6-32	5/16	3A
13/16	6180	8-32	1/2	3B
13/16	6190	8-32	5/8	3B
7/8	6176	4-40, 6-32	5/16	3A
7/8	6181	8-32	1/2	3B
7/8	6191	8-32	5/8	3B
15/16	6177	4-40, 6-32	5/16	3A
15/16	6182	8-32	1/2	3B
15/16	6192	8-32	5/8	3B
1"	6178	4-40, 6-32	5/16	3A
1"	6183	8-32	1/2	3B
1"	6193	8-32	5/8	3B
1-1/16	6184	8-32	1/2	3B
1-1/16	6194	8-32	5/8	3B
1-1/8	6185	8-32	1/2	3B
1-1/8	6195	8-32	5/8	3B
1-3/16	6186	8-32	1/2	3B
1-3/16	6196	8-32	5/8	3B
1-1/4	6187	8-32	1/2	3B
1-1/4	6197	8-32	5/8	3B

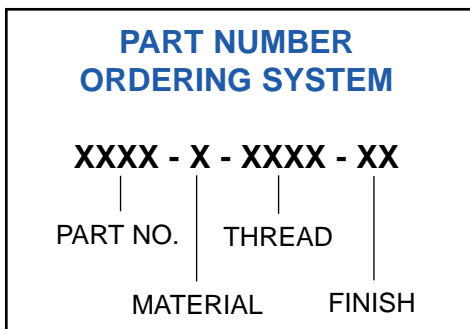
TABLE 9 - Type 3B Standard

Length	Part No.	Thread	Head Diameter
7/8	6181	10-32	1/2
7/8	6191	10-32	5/8
15/16	6182	10-32	1/2
15/16	6192	10-32, 12-24, 1/4-20	5/8
15/16	6199	1/4-20	3/4
1"	6183	10-32	1/2
1"	6193	10-32, 12-24, 1/4-20	5/8
1"	6200	1/4-20	3/4
1-1/16	6184	10-32	1/2
1-1/16	6194	10-32, 12-24, 1/4-20	5/8
1-1/16	6201	1/4-20	3/4
1-1/8	6185	10-32	1/2
1-1/8	6195	10-32, 12-24, 1/4-20	5/8
1-1/8	6202	1/4-20	3/4
1-3/16	6186	10-32	1/2
1-3/16	6196	10-32, 12-24, 1/4-20	5/8
1-3/16	6203	1/4-20	3/4
1-1/4	6187	10-32	1/2
1-1/4	6197	10-32, 12-24, 1/4-20	5/8
1-1/4	6204	1/4-20	3/4
1-5/16	6188	10-32	1/2
1-5/16	6198	10-32, 12-24, 1/4-20	5/8
1-5/16	6205	1/4-20	3/4
1-3/8	6206	1/4-20	3/4
1-7/16	6207	1/4-20	3/4

For all dimensions other than length refer to Table 7 (page 72)



See page 65 to specify part numbers not listed in Table.



Refer to page 66 for Finish Codes.

For special threads or parts not listed contact sales office.

CHART A - Materials	
MATERIAL	CODE LETTER
BRASS	B
STEEL	S
STAINLESS STEEL	SS

THREAD CODE	
THREAD	CODE
4-40	0440
6-32	0632
8-32	0832
10-32	1032
12-24	1224
1/4-20	2520

5 Pasco Hill Road • Cromwell, CT 06416-1093
Phone: 860-828-0847 • Call Toll Free: 800-243-6032 • Fax: 860-828-0381
Web Address: <http://www.amatom.com> • E-Mail: sales@amatom.com

PANEL SCREWS / WASHER

TYPE 4: OVAL HEAD PANEL SCREW

- Notes:
- Any similar type captive screw in any increment of body or thread length is available on special order. Price on application.
 - The stainless steel captive screws are made to MIL-E-16400 (ships).
 - Available "Burr Free" for ultra precision parts. Price on application.

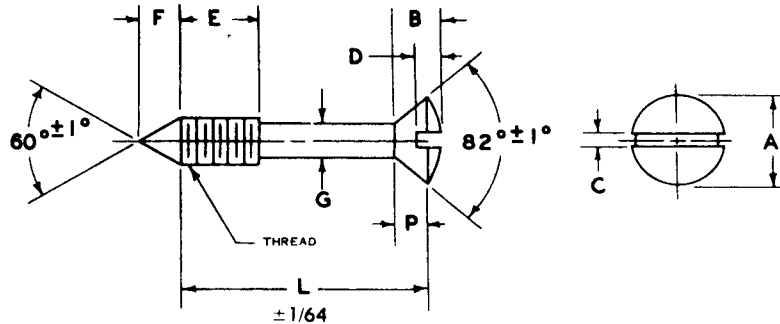


TABLE 10 - Type 4 - Screw Dimensions

For Part No. of Lengths refer to Table 11 under Required Thread Size and Material.

MATERIAL			A	B	C	D	E	F	G	P
THREAD	BRASS	STAIN-LESS STEEL	±.010	±.010	±.005	+.010 -.005	±1/64	±.015	±.005	+.020 -.000
4-40 UNC-2A	B	SS	.216	.094	.035	.049	3/16	.096	.078	.067
6-32 UNC-2A	B	SS	.268	.117	.044	.062	1/4	.121	.095	.083
8-32 UNC-2A	B	SS	.320	.139	.050	.075	1/4	.142	.120	.100
10-24 UNC-2A	B	SS	.372	.162	.055	.089	1/4	.164	.130	.116
10-32 UNF-2A	B	SS	.372	.162	.055	.089	1/4	.164	.130	.116

(PANEL SCREW - EXTERNALLY RELIEVED BODY) Per RSC-5305-120

TABLE 11 - Type 4

For all Dimensions other than Length Refer to Table 10.

LENGTH	PART NO.
3/8*	6210
7/16*	6211
1/2*	6212
9/16*	6213
5/8	6214
11/16	6215

*Only in 4-40, 6-32, 8-32.

LENGTH	PART NO.
3/4	6216
13/16	6217
7/8	6218
15/16	6219
1"	6220
1-1/16	6221

LENGTH	PART NO.
1-1/8	6222
1-3/16	6223
1-1/4	6224
1-5/16	6225
1-3/8	6226
1-1/2	6227

Other lengths available on special order.

PART NUMBER ORDERING SYSTEM

XXXX - X - XXXX - XX

| | | |
 PART NO. | THREAD | MATERIAL | FINISH

Refer To Page 66 For Finish Codes.

CHART A - Materials

MATERIAL	CODE LETTER
ALUMINUM	A
BRASS	B
STAINLESS STEEL	SS
NYLON	N

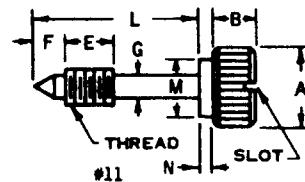
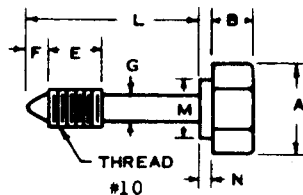
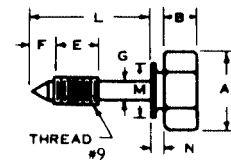
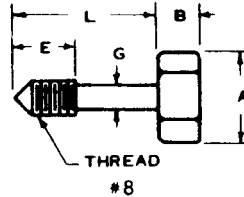
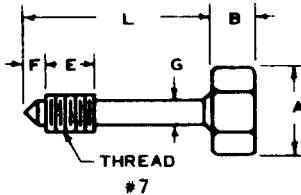
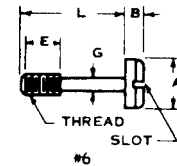
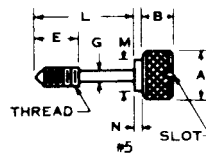
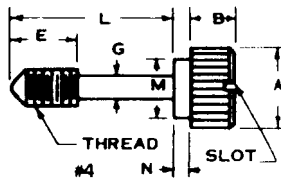
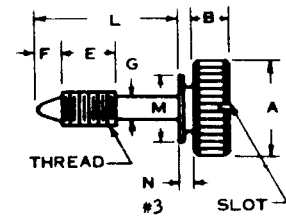
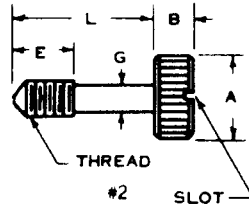
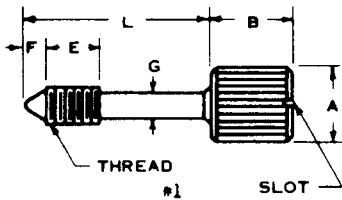
THREAD CODE

THREAD	CODE
4-40	0440
6-32	0632
8-32	0832
10-24	1024
10-32	1032

5 Pasco Hill Road • Cromwell, CT 06416-1093
 Phone: 860-828-0847 • Call Toll Free: 800-243-6032 • Fax: 860-828-0381
 Web Address: <http://www.amatom.com> • E-Mail: sales@amatom.com

VARIATIONS OF CAPTIVE SCREWS

- This page is written for the convenience of designers, engineers and buyers in calling out other types of similar parts that are available at Amatom. The combinations are unlimited. Contact Amatom's engineering office for price and delivery.
- Variations of captive screws are available in any material and with any finish.

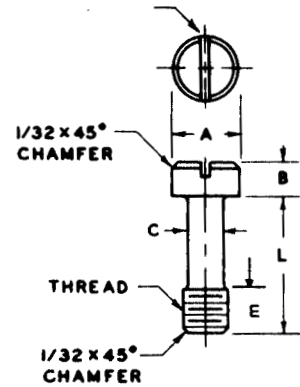


Note: Dimension "A" on Hex Head is across flats.

CAPTIVE SCREW - SHOULDER SCREW

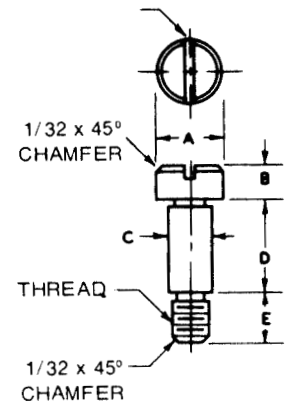
TYPE 6 - CAPTIVE SCREW (Stainless Steel Only)

PART NO.	THREAD	PANEL THICKNESS	A ±1/16	B ±1/64	C ±.005	L ±.015	E ±.015
6760	4-40 UNC-2A	1/16	1/4	1/8	.078	.468	.187
6761	4-40 UNC-2A	1/8	1/4	1/8	.078	.530	.187
6762	6-32 UNC-2A	1/16	9/32	1/8	.095	.530	.218
6763	6-32 UNC-2A	1/8	9/32	1/8	.095	.593	.218
6764	6-32 UNC-2A	3/16	9/32	1/8	.095	.655	.218
6765	8-32 UNC-2A	1/8	5/16	5/32	.120	.656	.250
6766	8-32 UNC-2A	3/16	5/16	5/32	.120	.718	.250
6767	8-32 UNC-2A	1/4	5/16	5/32	.120	.781	.250
6768	10-32 UNF-2A	3/16	3/8	3/16	.130	.843	.312
6769	10-32 UNF-2A	1/4	3/8	3/16	.130	.905	.312



TYPE 7 - PRECISION SHOULDER SCREW

PART NO.	THREAD	A	B	C +.000 -.001	D +.002 -.000	E
7451 7452 7453 7454 7455	4-40 UNC-2A	1/4	1/8	1/8 (.1245)	1/8 - .125 3/16 - .188 1/4 - .250 5/16 - .313 3/8 - .375	5/32
7456 7457 7458 7459 7460 7461 7462 7463 7464 7465 7466	8-32 UNC-2A	5/16	5/32	3/16 (.1870)	1/8 - .125 3/16 - .188 1/4 - .250 5/16 - .313 3/8 - .375 1/2 - .500 5/8 - .625 3/4 - .750 1 - 1.000 1-1/4 - 1.250 1-1/2 - 1.500	3/16
7467 7468 7469 7470 7471 7472 7473 7474 7475 7476 7477	10-32 UNF-2A	3/8	3/16	1/4 (.2495)	1/8 - .125 3/16 - .188 1/4 - .250 5/16 - .313 3/8 - .375 1/2 - .500 5/8 - .625 3/4 - .750 1 - 1.000 1-1/4 - 1.250 1-1/2 - 1.500	1/4



PART NUMBER ORDERING SYSTEM

XXXX - X - XXXX - XX

|
 PART NO. | THREAD
 |
 MATERIAL | FINISH

Refer To Page 66 For Finish Codes.

CHART A - Materials

MATERIAL	CODE LETTER
ALUMINUM	A
BRASS	B
STEEL	S
STAINLESS STEEL	SS

THREAD CODE

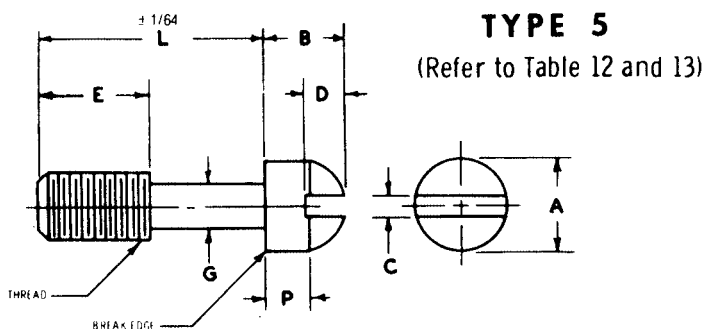
THREAD	CODE
4-40	0440
6-32	0632
8-32	0832
10-24	1024
10-32	1032
12-24	1224
1/4-20	2520

CAPTIVE PANEL SCREWS

(PANEL SCREW - EXTERNALLY RELIEVED BODY) Per FSC-5305-120

Type 5: Fillister Head

- Material**
 - SS-Corrosive Resisting Steel (Stainless Steel):
ASTM A581-75 thru 1/2 O.D. over 1/2 AMS-5762.
 - B-Brass: QQ-B-626 Comp 22 1/2 Hard.
 - NOTE: Available in other materials on special order - Price on Application.
- Standard Finish**
 - For Corrosive Resisting Steel (SS):
Amatom Finish No. 7 - Passivate per cres QQ-P-35.
 - For Brass (B):
Amatom Finish No. 4 - Nickel plate - QQ-N-290 Grade G.
- Head**
 - Brushed and Polished Heads - Available on special order only.
- Threads**
 - UNC-2A and UNF-2A per National Bureau of Standards Handbook H28 titled "Screw-Thread Standards for Federal Services."
- Workmanship**
 - To high precision standards.
- Quality Control**
 - To MIL-STD-105. Made for use on government equipment.



- NOTES:**
- Any similar type captive screw in any increment of body or thread length is available on special order. Price on application.
 - The stainless steel captive screws are made to MIL-E-16400 (ships).
 - Available "Burr-Free" for ultra precision parts. Price on application.

TABLE 12 - Type 5 - Screw Dimensions

For Part No. of Lengths Refer to Table 13 under Required Thread Size and Material.

THREAD	MATERIAL		A ±.010	B ±.010	C ±.005	D +.010 -.005	E ±.015	G ±.005	P ±.005
	BRASS	STAIN- LESS STEEL							
2-56 UNC-2A	B	SS	.132	.075	.027	.026	1/8	.061	.058
3-48 UNC-2A	B	SS	.153	.086	.031	.032	1/8	.070	.066
4-40 UNC-2A	B	SS	.175	.098	.035	.037	5/32	.078	.074
4-48 UNF-2A	B	SS	.175	.098	.035	.037	5/32	.078	.074
6-32 UNC-2A	B	SS	.217	.122	.044	.048	3/16	.095	.091
6-40 UNF-2A	B	SS	.217	.122	.044	.048	3/16	.095	.091
8-32 UNC-2A	B	SS	.250	.145	.050	.058	3/16	.120	.108
10-24 UNC-2A	B	SS	.303	.168	.055	.069	1/4	.130	.124
10-32 UNF-2A	B	SS	.303	.168	.055	.069	1/4	.130	.124

5 Pasco Hill Road • Cromwell, CT 06416-1093

Phone: 860-828-0847 • Call Toll Free: 800-243-6032 • Fax: 860-828-0381

Web Address: <http://www.amatom.com> • E-Mail: sales@amatom.com

