

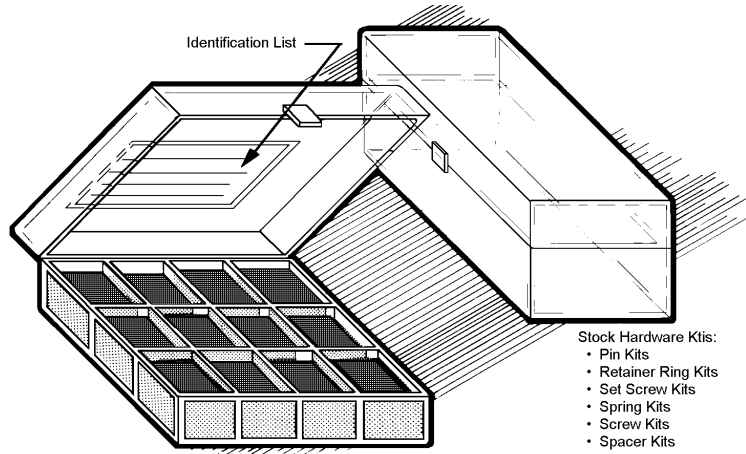
HARDWARE AND FASTENERS

Table of Contents

HARDWARE KIT	
Assorted Fastener Kits	.MF2
PARTS BOXES	
Natural Wood	.MF3
Plastic	.MF3
SCREW HEAD TECHNICAL DATA	.MF4
MACHINE SCREWS	
Stainless Steel, Flat, Cheese, Socket and Button	.MF5-6
Long-Lok® and Nyloc® Flat, Cheese, Socket	.MF7-9
INTEGRAL SEAL SCREWS	
Slotted Pan Head	.MF10
SET SCREWS	
Slotted and Hex Head, Stainless Steel	.MF11
Brass Soft Tip, Hex Socket	.MF12
Silver Solder Tip, Slotted Head and Hex Socket	.MF13
Soft Tip, Slotted Head and Hex Socket	.MF14-15
SHOULDER SCREWS	
Stainless Steel, Slotted Head	.MF16-17
Stainless Steel, Hex Socket Head	.MF18-19
PRECISION CAPTIVE SCREWS	
Slotted, Hex Socket and Knurled Head, Stainless Steel	.MF20
PRECISION JIG BUTTONS	
Stainless Steel	.MF21
THUMB SCREWS	
Plastic Head, Knurled	.MF22-23
Stainless Steel, Knurled	.MF24-25
Stainless Steel, Knurled, Socket Head	.MF26
THUMB NUTS	
Stainless Steel, Knurled	.MF27
THREADED STUDS	
Stainless Steel, Double Ended	.MF28-29
HEX NUTS	
Stainless Steel and Molded Nylon	.MF30
WASHERS	
Nylon and Stainless Steel	.MF31
LOCK WASHERS	
Stainless Steel, External and Internal Tooth	.MF32
THRUST WASHERS	
Stainless Steel, Plastic, Bronze and Tool Steel	.MF33
Belleville Washers	.MF34
Curved Washers	.MF34
THREAD INSERTS	
Stainless Steel, Free Running and Locking	.MF35
PINS	
Taper, Stainless Steel	.MF36
Roller or Spring Pins, Stainless Steel	.MF37
Cotter Pins, Stainless Steel	.MF38
DOWEL PINS	
Soft Pins, Stainless Steel	.MF39-40
MISCELLANEOUS ITEMS	
Grease, Oil, Inspection Mirrors, Screw Drivers, Plastic Hammers, Scale, Hex Wrenches, Tweezers, Loupes, Cable Cutters	
Adhesives, Liquid Pin, Solvent, Lubricants	.MF41-42
RETAINER RINGS	
External Lug Design, Stainless Steel, Copper Plated	.MF43
External Snap On Design	.MF44
External Power Grip Design	.MF44
External Bowed Snap On Design	.MF45
External, Carbon Steel and Stainless Steel	.MF45
BEARING PRE-LOAD SPRINGS	.MF46
SPACERS	
Inner and Outer Race Shim	.MF47
Shaft Spacers	.MF48
Assorted Inner Race Shaft Spacers Kit	.MF48
BEARING SPACERS	.MF49
BALLS	
Hardened Steel	.MF50
SPRINGS	
Compression	.MF51
Experimental	.MF52
Extension	.MF52
Torsion	.MF53

HARDWARE KITS

TYPE
ASSORTED FASTENER



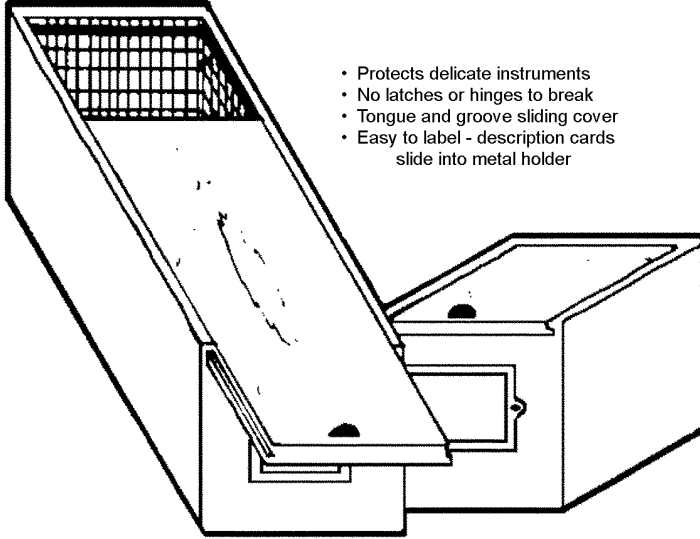
STOCK NO.	DESCRIPTION OF KIT CONTENTS
KIT-DMH	Dowel Pins - Hardware Stainless Steel, 2mm to 10mm Dia. - 5mm to 30mm Long
KIT-DMS	Dowel Pins - Soft Stainless Steel - 1mm to 6mm Dia. - 3mm to 24mm Long
KIT-QM	Retainer Rings - Internal and External Spring Steel for 3mm, 4mm and 6mm Shafts
KIT-SC2M	Set Screws - Stainless Steel - Cup Point - Socket Head - M2-M6
KIT-SC8M	Set Screws - Stainless Steel - Soft Tip - Socket Head - M2-M6
KIT SC10M	Set Screws - Stainless Steel - Brass Tip - Socket Head - M4-M10
KIT-SPR9	Compression Springs - Stainless Steel - 1.5mm to 18mm Dia. - Lengths up to 51mm
KIT-SPR10	Extension Springs - Stainless Steel - 1.6mm to 25mm Dia. - Lengths up to 51mm
KIT-Y5M	Hex Nuts, Washers & Lock Washers - Stainless Steel - M2-M8
KIT-Y9M	Socket Head Cap Screws - Stainless Steel - M2-M10

Available From Stock:
 Replacement Parts
 Special Kits

PARTS BOX

MATERIAL

SELECTED HARDWOOD - NATURAL VARNISH SEALER WITH SOFT FLOCK-LINING



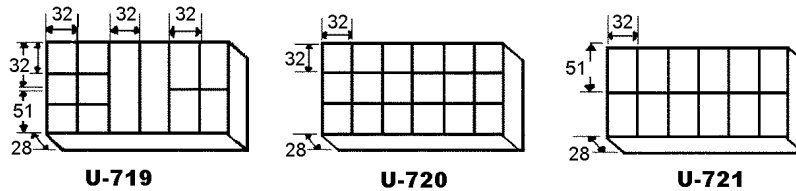
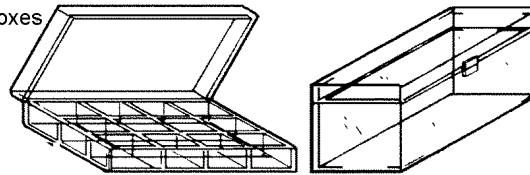
- Protects delicate instruments
- No latches or hinges to break
- Tongue and groove sliding cover
- Easy to label - description cards slide into metal holder

STOCK NO.	OUTSIDE DIMENSIONS HEIGHT x WIDTH x LENGTH	INSIDE DIMENSIONS HEIGHT x WIDTH x LENGTH
X-1	82 x 102 x 102	63 x 76 x 76
X-2	111 x 102 x 152	92 x 76 x 127
X-3	111 x 127 x 203	92 x 102 x 178
X-4	102 x 127 x 292	82 x 102 x 267
X-5	130 x 152 x 203	111 x 127 x 178
X-6	149 x 152 x 241	130 x 127 x 216
X-7	149 x 152 x 292	130 x 127 x 267
X-8	178 x 178 x 292	159 x 152 x 267

MATERIAL

PLASTIC

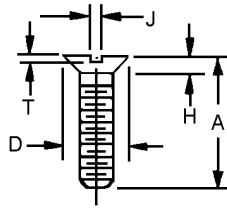
- Ideal storage boxes for small parts
 - Sectioned and non-sectioned boxes
- Other sizes available on request.



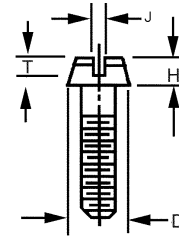
STOCK NO.	OUTSIDE DIMENSIONS HEIGHT x WIDTH x LENGTH	NO. OF COMPARTMENTS	MATERIAL
U-719	35 x 114 x 210	12	CLEAR STYRENE
U-720		18	
U-721		12	
U-722	102 x 140 x 254	1	TAN POLYPROPYLENE
U-723	27 x 114 x 213	1	

SCREW HEAD

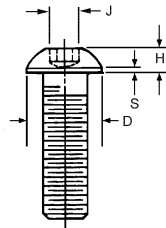
Technical Data



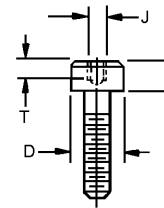
SCREW SIZE	#Y6-FLAT HEAD 92°			
	D	H MAX.	J	T MIN.
M 1.6	3.0	1.0	0.4	0.3
M 2.0	3.8	1.2	0.5	0.4
M 3.0	5.6	1.7	0.8	0.6
M 4.0	7.5	2.2	1.0	0.8
M 5.0	9.2	2.5	1.2	1.0
M 6.0	11.0	3.0	1.6	1.2
M 8.0	14.5	4.0	2.0	1.6
M 10.0	18.0	5.0	2.5	2.0



SCREW SIZE	#Y8-CHEESE HEAD			
	D	H MAX.	J	T MIN.
M 1.6	3.0	1.0	0.4	0.5
M 2.0	3.8	1.3	0.5	0.6
M 3.0	5.5	2.0	0.8	0.9
M 4.0	7.0	2.6	1.0	1.2
M 5.0	8.5	3.3	1.2	1.5
M 6.0	10.0	3.9	1.6	1.8
M 8.0	13.0	5.0	2.0	2.3
M 10.0	16.0	6.0	2.5	2.7



NOMINAL SIZE	#Y-19 BUTTON HEAD			
	D MAX.	H MAX.	S REF.	J NOM.
M3	5.50	1.60	0.38	2.00
M4	7.50	2.10	0.38	2.50
M5	9.50	2.70	0.50	3.00
M6	10.50	3.20	0.80	4.00
M8	14.00	4.30	0.80	5.00
M10	18.00	5.30	0.80	6.00



SCREW SIZE	#Y-9 CAP SOCKET HEAD			
	D	H MAX.	J ACROSS FLATS	T MIN.
M 1.6	3.0	1.6	1.5	0.7
M 2.0	3.8	2.0	1.5	1.0
M 3.0	5.5	3.0	2.5	1.3
M 4.0	6.0	4.0	3.0	2.0
M 5.0	8.5	5.0	4.0	2.5
M 8.0	13.0	8.0	6.0	4.0
M 10.0	16.0	10.0	8.0	5.0

MACHINE SCREWS

THREAD	STYLE	MATERIAL
M1.6 X 0.35	FLAT, CHEESE, SOCKET AND BUTTON	STAINLESS STEEL DIN 1.4300

STOCK NUMBERS				THREAD Tol=6g	LENGTH A
STYLES					
FLAT	CHEESE	SOCKET	BUTTON		
Y6-M1-A4	Y8-M1-A4	Y9-M1-A4	Y19-M1-A4	M1.6 x 0.35	4.0
Y6-M1-A5	Y8-M1-A5	Y9-M1-A5	Y19-M1-A5		5.0
Y6-M1-A6	Y8-M1-A6	Y9-M1-A6	Y19-M1-A6		6.0
Y6-M1-A8	Y8-M1-A8	Y9-M1-A8	Y19-M1-A8		8.0
Y6-M1-A10	Y8-M1-A10	Y9-M1-A10	Y19-M1-A10		10.0

THREAD	STYLE	MATERIAL
M2 X 0.4	FLAT, CHEESE, SOCKET AND BUTTON	STAINLESS STEEL DIN 1.4300

STOCK NUMBERS				THREAD Tol=6g	LENGTH A
STYLES					
FLAT	CHEESE	SOCKET	BUTTON		
Y6-M2-A3	Y8-M2-A3	Y9-M2-A3	Y19-M2-A3	M2 x 0.4	3.0
Y6-M2-A4	Y8-M2-A4	Y9-M2-A4	Y19-M2-A4		4.0
Y6-M2-A5	Y8-M2-A5	Y9-M2-A5	Y19-M2-A5		5.0
Y6-M2-A6	Y8-M2-A6	Y9-M2-A6	Y19-M2-A6		6.0
Y6-M2-A8	Y8-M2-A8	Y9-M2-A8	Y19-M2-A8		8.0
Y6-M2-A10	Y8-M2-A10	Y9-M2-A10	Y19-M2-A10		10.0
Y6-M2-A13	Y8-M2-A13	Y9-M2-A13	Y19-M2-A13		12.0
Y6-M2-A16	Y8-M2-A16	Y9-M2-A16	Y19-M2-A16		16.0
Y6-M2-A20	Y8-M2-A20	Y9-M2-A20	Y19-M2-A20		20.0

THREAD	STYLE	MATERIAL
M3 X 0.5	FLAT, CHEESE, SOCKET AND BUTTON	STAINLESS STEEL DIN 1.4300

STOCK NUMBERS				THREAD Tol=6g	LENGTH A
STYLES					
FLAT	CHEESE	SOCKET	BUTTON		
Y6-M3-A5	Y8-M3-A5	Y9-M3-A5	Y19-M3-A5	M3 x 0.5	5.0
Y6-M3-A6	Y8-M3-A6	Y9-M3-A6	Y19-M3-A6		6.0
Y6-M3-A8	Y8-M3-A8	Y9-M3-A8	Y19-M3-A8		8.0
Y6-M3-A10	Y8-M3-A10	Y9-M3-A10	Y19-M3-A10		10.0
Y6-M3-A13	Y8-M3-A13	Y9-M3-A13	Y19-M3-A13		12.0
Y6-M3-A16	Y8-M3-A16	Y9-M3-A16	Y19-M3-A16		16.0
Y6-M3-A20	Y8-M3-A20	Y9-M3-A20	Y19-M3-A20		20.0
Y6-M3-A25	Y8-M3-A25	Y9-M3-A25	Y19-M3-A25		25.0
Y6-M3-A30	Y8-M3-A30	Y9-M3-A30	Y19-M3-A30		30.0

THREAD	STYLE	MATERIAL
M4 X 0.7	FLAT, CHEESE, SOCKET AND BUTTON	STAINLESS STEEL DIN 1.4300

STOCK NUMBERS				THREAD Tol=6g	LENGTH A
STYLES					
FLAT	CHEESE	SOCKET	BUTTON		
Y6-M4-A6	Y8-M4-A6	Y9-M4-A6	Y19-M4-A6	M4 x 0.7	6.0
Y6-M4-A8	Y8-M4-A8	Y9-M4-A8	Y19-M4-A8		8.0
Y6-M4-A10	Y8-M4-A10	Y9-M4-A10	Y19-M4-A10		10.0
Y6-M4-A13	Y8-M4-A13	Y9-M4-A13	Y19-M4-A13		12.0
Y6-M4-A16	Y8-M4-A16	Y9-M4-A16	Y19-M4-A16		16.0
Y6-M4-A20	Y8-M4-A20	Y9-M4-A20	Y19-M4-A20		20.0
Y6-M4-A25	Y8-M4-A25	Y9-M4-A25	Y19-M4-A25		25.0
Y6-M4-A30	Y8-M4-A30	Y9-M4-A30	Y19-M4-A30		30.0
Y6-M4-A35	Y8-M4-A35	Y9-M4-A35	Y19-M4-A35		35.0
Y6-M4-A40	Y8-M4-A40	Y9-M4-A40	Y19-M4-A40		40.0

F

MACHINE SCREWS

THREAD	STYLE	MATERIAL
M5 X 0.8	FLAT, CHEESE, SOCKET AND BUTTON	STAINLESS STEEL DIN 1.4300

STOCK NUMBERS				THREAD Tol=6g	LENGTH A
STYLES					
FLAT	CHEESE	SOCKET	BUTTON		
Y6-M5-A4	Y8-M5-A4	Y9-M5-A4	Y19-M5-A4	M5 x 0.8	4.0
Y6-M5-A8	Y8-M5-A8	Y9-M5-A8	Y19-M5-A8		8.0
Y6-M5-A10	Y8-M5-A10	Y9-M5-A10	Y19-M5-A10		10.0
Y6-M5-A13	Y8-M5-A13	Y9-M5-A13	Y19-M5-A13		12.0
Y6-M5-A16	Y8-M5-A16	Y9-M5-A16	Y19-M5-A16		16.0
Y6-M5-A20	Y8-M5-A20	Y9-M5-A20	Y19-M5-A20		20.0
Y6-M5-A25	Y8-M5-A25	Y9-M5-A25	Y19-M5-A25		25.0
Y6-M5-A30	Y8-M5-A30	Y9-M5-A30	Y19-M5-A30		30.0
Y6-M5-A35	Y8-M5-A35	Y9-M5-A35	Y19-M5-A35		35.0
Y6-M5-A40	Y8-M5-A40	Y9-M5-A40	Y19-M5-A40		40.0
Y6-M5-A45	Y8-M5-A45	Y9-M5-A45	Y19-M5-A45		45.0
Y6-M5-A50	Y8-M5-A50	Y9-M5-A50	Y19-M5-A50		50.0

THREAD	STYLE	MATERIAL
M6 X 1.0	FLAT, CHEESE, SOCKET AND BUTTON	STAINLESS STEEL DIN 1.4300

STOCK NUMBERS				THREAD Tol=6g	LENGTH A
STYLES					
FLAT	CHEESE	SOCKET	BUTTON		
Y6-M6-A8	Y8-M6-A8	Y9-M6-A8	Y19-M6-A8	M6 x 1.0	8.0
Y6-M6-A10	Y8-M6-A10	Y9-M6-A10	Y19-M6-A10		10.0
Y6-M6-A12	Y8-M6-A12	Y9-M6-A12	Y19-M6-A12		12.0
Y6-M6-A16	Y8-M6-A16	Y9-M6-A16	Y19-M6-A16		16.0
Y6-M6-A20	Y8-M6-A20	Y9-M6-A20	Y19-M6-A20		20.0
Y6-M6-A25	Y8-M6-A25	Y9-M6-A25	Y19-M6-A25		25.0
Y6-M6-A30	Y8-M6-A30	Y9-M6-A30	Y19-M6-A30		30.0

THREAD	STYLE	MATERIAL
M8 X 1.25	FLAT, CHEESE, SOCKET AND BUTTON	STAINLESS STEEL DIN 1.4300

STOCK NUMBERS				THREAD Tol=6g	LENGTH A
STYLES					
FLAT	CHEESE	SOCKET	BUTTON		
Y6-M8-A10	Y8-M8-A10	Y9-M8-A10	Y19-M8-A10	M8 X 1.25	10.0
Y6-M8-A13	Y8-M8-A13	Y9-M8-A13	Y19-M8-A13		12.0
Y6-M8-A16	Y8-M8-A16	Y9-M8-A16	Y19-M8-A16		16.0
Y6-M8-A25	Y8-M8-A25	Y9-M8-A25	Y19-M8-A25		25.0
Y6-M8-A30	Y8-M8-A30	Y9-M8-A30	Y19-M8-A30		30.0
Y6-M8-A35	Y8-M8-A35	Y9-M8-A35	Y19-M8-A35		35.0
Y6-M8-A40	Y8-M8-A40	Y9-M8-A40	Y19-M8-A40		40.0
Y6-M8-A45	Y8-M8-A45	Y9-M8-A45	Y19-M8-A45		45.0

THREAD	STYLE	MATERIAL
M10 X 1.5	FLAT, CHEESE, SOCKET AND BUTTON	STAINLESS STEEL DIN 1.4300

STOCK NUMBERS				THREAD Tol=6g	LENGTH A
STYLES					
FLAT	CHEESE	SOCKET	BUTTON		
Y6-M10-A13	Y8-M10-A13	Y9-M10-A13	Y19-M10-A13	M10 X 1.5	12.0
Y6-M10-A16	Y8-M10-A16	Y9-M10-A16	Y19-M10-A16		16.0
Y6-M10-A20	Y8-M10-A20	Y9-M10-A20	Y19-M10-A20		20.0
Y6-M10-A25	Y8-M10-A25	Y9-M10-A25	Y19-M10-A25		25.0
Y6-M10-A30	Y8-M10-A30	Y9-M10-A30	Y19-M10-A30		30.0
Y6-M10-A35	Y8-M10-A35	Y9-M10-A35	Y19-M10-A35		35.0
Y6-M10-A40	Y8-M10-A40	Y9-M10-A40	Y19-M10-A40		40.0

LONG-LOK® AND NYLOC® MACHINE SCREWS

THREAD	STYLE	MATERIAL
M1.6 X 0.35	SELF LOCKING - VIBRATION PROOF FLAT, CHEESE, AND SOCKET	STAINLESS STEEL DIN 1.4300 WITH NYLON STRIP/PELLET

LONG-LOCK®		NYLOC®	THREAD TOL=6g	LENGTH A
FLAT STYLE STOCK NO.	CHEESE STYLE STOCK NO.	SOCKET STYLE* STOCK NO.		
Y6-M1-A4-L	Y8-M1-A4-L	Y9-M1-A4-N	M1.6 x 0.35	4.0
Y6-M1-A5-L	Y8-M1-A5-L	Y9-M1-A5-N		5.0
Y6-M1-A6-L	Y8-M1-A6-L	Y9-M1-A6-N		6.0
Y6-M1-A8-L	Y8-M1-A8-L	Y9-M1-A8-N		8.0
Y6-M1-A10-L	Y8-M1-A10-L	Y9-M1-A10-N		10.0

THREAD	STYLE	MATERIAL
M2 X 0.4	SELF LOCKING - VIBRATION PROOF FLAT, CHEESE, AND SOCKET	STAINLESS STEEL DIN 1.4300 WITH NYLON STRIP/PELLET

LONG-LOCK®		NYLOC®	THREAD TOL=6g	LENGTH A
FLAT STYLE STOCK NO.	CHEESE STYLE STOCK NO.	SOCKET STYLE* STOCK NO.		
Y6-M2-A3-L	Y8-M2-A3-L	Y9-M2-A3-N	M2 x 0.4	3.0
Y6-M2-A4-L	Y8-M2-A4-L	Y9-M2-A4-N		4.0
Y6-M2-A5-L	Y8-M2-A5-L	Y9-M2-A5-N		5.0
Y6-M2-A6-L	Y8-M2-A6-L	Y9-M2-A6-N		6.0
Y6-M2-A8-L	Y8-M2-A8-L	Y9-M2-A8-N		8.0
Y6-M2-A10-L	Y8-M2-A10-L	Y9-M2-A10-N		10.0
Y6-M2-A13-L	Y8-M2-A13-L	Y9-M2-A13-N		12.0
Y6-M2-A16-L	Y8-M2-A16-L	Y9-M2-A16-N		16.0
Y6-M2-A20-L	Y8-M2-A20-L	Y9-M2-A20-N		20.0

THREAD	STYLE	MATERIAL
M3 X 0.5	SELF LOCKING - VIBRATION PROOF FLAT, CHEESE, AND SOCKET	STAINLESS STEEL DIN 1.4300 WITH NYLON STRIP/PELLET

LONG-LOCK®		NYLOC®	THREAD TOL=6g	LENGTH A
FLAT STYLE STOCK NO.	CHEESE STYLE STOCK NO.	SOCKET STYLE* STOCK NO.		
Y6-M3-A5-L	Y8-M3-A5-L	Y9-M3-A5-N	M3 x 0.5	5.0
Y6-M3-A6-L	Y8-M3-A6-L	Y9-M3-A6-N		6.0
Y6-M3-A8-L	Y8-M3-A8-L	Y9-M3-A8-N		8.0
Y6-M3-A10-L	Y8-M3-A10-L	Y9-M3-A10-N		10.0
Y6-M3-A13-L	Y8-M3-A13-L	Y9-M3-A13-N		12.0
Y6-M3-A16-L	Y8-M3-A16-L	Y9-M3-A16-N		16.0
Y6-M3-A20-L	Y8-M3-A20-L	Y9-M3-A20-N		20.0
Y6-M3-A25-L	Y8-M3-A25-L	Y9-M3-A25-N		25.0
Y6-M3-A30-L	Y8-M3-A30-L	Y9-M3-A30-N		30.0

*Y9 Series Socket Cap screws are available only with Nyloc® insert.
Long-Lok® registered Long Lok Corporation. Nyloc® registered Nyloc Corporation.

F

LONG-LOK® AND NYLOC® MACHINE SCREWS

THREAD	STYLE	MATERIAL
M4 X 0.7	SELF LOCKING - VIBRATION PROOF FLAT, CHEESE, AND SOCKET	STAINLESS STEEL DIN 1.4300 WITH NYLON STRIP/PELLET

LONG-LOCK®		NYLOC®	THREAD TOL=6g	LENGTH A
FLAT STYLE STOCK NO.	CHEESE STYLE STOCK NO.	SOCKET STYLE* STOCK NO.		
Y6-M4-A6-L	Y8-M4-A6-L	Y9-M4-A6-N	M4 X 0.7	6.0
Y6-M4-A8-L	Y8-M4-A8-L	Y9-M4-A8-N		8.0
Y6-M4-A10-L	Y8-M4-A10-L	Y9-M4-A10-N		10.0
Y6-M4-A13-L	Y8-M4-A13-L	Y9-M4-A13-N		12.0
Y6-M4-A16-L	Y8-M4-A16-L	Y9-M4-A16-N		16.0
Y6-M4-A20-L	Y8-M4-A20-L	Y9-M4-A20-N		20.0
Y6-M4-A25-L	Y8-M4-A25-L	Y9-M4-A25-N		25.0
Y6-M4-A30-L	Y8-M4-A30-L	Y9-M4-A30-N		30.0
Y6-M4-A35-L	Y8-M4-A35-L	Y9-M4-A35-N		35.0
Y6-M4-A40-L	Y8-M4-A40-L	Y9-M4-A40-N		40.0

THREAD	STYLE	MATERIAL
M5 X 0.8	SELF LOCKING - VIBRATION PROOF FLAT, CHEESE, AND SOCKET	STAINLESS STEEL DIN 1.4300 WITH NYLON STRIP/PELLET

LONG-LOCK®		NYLOC®	THREAD TOL=6g	LENGTH A
FLAT STYLE STOCK NO.	CHEESE STYLE STOCK NO.	SOCKET STYLE* STOCK NO.		
Y6-M5-A8-L	Y8-M5-A8-L	Y9-M5-A8-N	M5 X 0.8	8.0
Y6-M5-A10-L	Y8-M5-A10-L	Y9-M5-A10-N		10.0
Y6-M5-A13-L	Y8-M5-A13-L	Y9-M5-A13-N		12.0
Y6-M5-A16-L	Y8-M5-A16-L	Y9-M5-A16-N		16.0
Y6-M5-A20-L	Y8-M5-A20-L	Y9-M5-A20-N		20.0
Y6-M5-A25-L	Y8-M5-A25-L	Y9-M5-A25-N		25.0
Y6-M5-A30-L	Y8-M5-A30-L	Y9-M5-A30-N		30.0
Y6-M5-A35-L	Y8-M5-A35-L	Y9-M5-A35-N		35.0
Y6-M5-A40-L	Y8-M5-A40-L	Y9-M5-A40-N		40.0
Y6-M5-A50-L	Y8-M5-A50-L	Y9-M5-A50-N		50.0

THREAD	STYLE	MATERIAL
M6 X 1.0	SELF LOCKING - VIBRATION PROOF FLAT, CHEESE, AND SOCKET	STAINLESS STEEL DIN 1.4300 WITH NYLON STRIP/PELLET

LONG-LOCK®		NYLOC®	THREAD TOL=6g	LENGTH A
FLAT STYLE STOCK NO.	CHEESE STYLE STOCK NO.	SOCKET STYLE* STOCK NO.		
Y6-M6-A8-L	Y8-M6-A8-L	Y9-M6-A8-N	M6 X 1.0	8.0
Y6-M6-A10-L	Y8-M6-A10-L	Y9-M6-A10-N		10.0
Y6-M6-A12-L	Y8-M6-A12-L	Y9-M6-A12-N		12.0
Y6-M6-A16-L	Y8-M6-A16-L	Y9-M6-A16-N		16.0
Y6-M6-A20-L	Y8-M6-A20-L	Y9-M6-A20-N		20.0
Y6-M6-A25-L	Y8-M6-A25-L	Y9-M6-A25-N		25.0
Y6-M6-A30-L	Y8-M6-A30-L	Y9-M6-A30-N		30.0

*Y9 Series Socket Cap screws are available only with Nyloc® insert.
Long-Lok® registered Long Lok Corporation. Nyloc® registered Nyloc Corporation.

LONG-LOK® AND NYLOC® MACHINE SCREWS

THREAD	STYLE	MATERIAL
M8 X 1.25	SELF LOCKING - VIBRATION PROOF FLAT, CHEESE, AND SOCKET	STAINLESS STEEL DIN 1.4300 WITH NYLON STRIP/PELLET

LONG-LOCK®		NYLOC®		THREAD TOL=6g	LENGTH A
FLAT STYLE STOCK NO.	CHEESE STYLE STOCK NO.	SOCKET STYLE* STOCK NO.			
Y6-M8-A10-L	Y8-M8-A10-L	Y9-M8-A10-N		M8 x 1.25	10.0
Y6-M8-A13-L	Y8-M8-A13-L	Y9-M8-A13-N			12.0
Y6-M8-A16-L	Y8-M8-A16-L	Y9-M8-A16-N			16.0
Y6-M8-A20-L	Y8-M8-A20-L	Y9-M8-A20-N			20.0
Y6-M8-A25-L	Y8-M8-A25-L	Y9-M8-A25-N			25.0
Y6-M8-A30-L	Y8-M8-A30-L	Y9-M8-A30-N			30.0
Y6-M8-A35-L	Y8-M8-A35-L	Y9-M8-A35-N			35.0
Y6-M8-A40-L	Y8-M8-A40-L	Y9-M8-A40-N			40.0
Y6-M8-A45-L	Y8-M8-A45-L	Y9-M8-A45-N			45.0

THREAD	STYLE	MATERIAL
M10 X 1.5	SELF LOCKING - VIBRATION PROOF FLAT, CHEESE, AND SOCKET	STAINLESS STEEL DIN 1.4300 WITH NYLON STRIP/PELLET

LONG-LOCK®		NYLOC®		THREAD TOL=6g	LENGTH A
FLAT STYLE STOCK NO.	CHEESE STYLE STOCK NO.	SOCKET STYLE* STOCK NO.			
Y6-M10-A13-L	Y8-M10-A13-L	Y9-M10-A13-N		M10 x 1.5	12.0
Y6-M10-A16-L	Y8-M10-A16-L	Y9-M10-A16-N			16.0
Y6-M10-A20-L	Y8-M10-A20-L	Y9-M10-A20-N			20.0
Y6-M10-A25-L	Y8-M10-A25-L	Y9-M10-A25-N			25.0
Y6-M10-A30-L	Y8-M10-A30-L	Y9-M10-A30-N			30.0
Y6-M10-A35-L	Y8-M10-A35-L	Y9-M10-A35-N			35.0
Y6-M10-A40-L	Y8-M10-A40-L	Y9-M10-A40-N			40.0

*Y9 Series Socket Cap screws are available only with Nyloc® insert.
Long-Lok® registered Long Lok Corporation. Nyloc® registered Nyloc Corporation.

F

INTEGRAL SEAL SCREWS

THREAD	STYLE	MATERIAL
M2 x 0.4	SLOTTED PAN HEAD	STAINLESS STEEL DIN 1.4300 SCREW WITH SILICONE O RING

STOCK NO.	THREAD SIZE	LENGTH	A	B	CLEARANCE HOLE	
					MIN.	MAX.
Y18-M2-A4	M2 x 0.4	4.00	1.37	4.24	2.31	2.41
Y18-M2-A8		8.00				
Y18-M2-A12		12.00				

THREAD	STYLE	MATERIAL
M3 x 0.5	SLOTTED PAN HEAD	STAINLESS STEEL DIN 1.4300 SCREW WITH SILICONE O RING

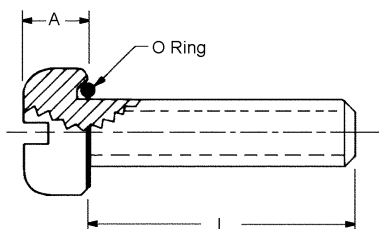
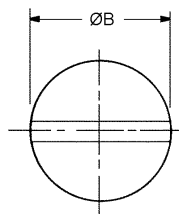
STOCK NO.	THREAD SIZE	LENGTH	A	B	CLEARANCE HOLE	
					MIN.	MAX.
Y18-M3-A6	M3 x 0.5	6.00	1.91	6.22	3.56	3.66
Y18-M3-A12		12.00				
Y18-M3-A20		20.00				

THREAD	STYLE	MATERIAL
M4 x 0.7	SLOTTED PAN HEAD	STAINLESS STEEL DIN 1.4300 SCREW WITH SILICONE O RING

STOCK NO.	THREAD SIZE	LENGTH	A	B	CLEARANCE HOLE	
					MIN.	MAX.
Y18-M4-A6	M4 x 0.7	6.00	2.44	8.18	4.39	4.55
Y18-M4-A12		12.00				
Y18-M4-A20		20.00				

THREAD	STYLE	MATERIAL
M6 x 1.0	SLOTTED PAN HEAD	STAINLESS STEEL DIN 1.4300 SCREW WITH SILICONE O RING

STOCK NO.	THREAD SIZE	LENGTH	A	B	CLEARANCE HOLE	
					MIN.	MAX.
Y18-M6-A12	M6 x 1.0	12.00	3.73	12.50	6.73	6.83
Y18-M6-A20		20.00				
Y18-M6-A25		25.00				

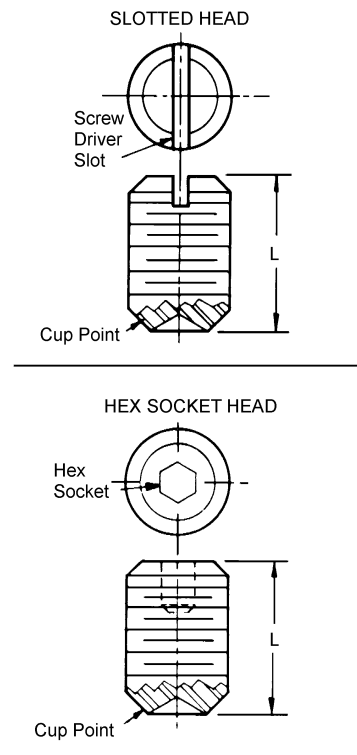


- Reusable
- Clearance holes recommended for maximum sealing
- Maximum temperature range -106°C to +260°C
- Pressure range - up to 4124 N/CM²

SET SCREWS

THREAD	STYLE	MATERIAL
M1.6 X 0.35 TO M10 X 1.5	SLOTTED HEAD AND HEX SOCKET	STAINLESS STEEL

SLOTTED HEAD STAINLESS STEEL	HEX SOCKET HEAD STAINLESS STEEL	THREAD	L
STOCK NO.	STOCK NO.		
SC1M-1	SC2M-1	M1.6 x 0.35	3.0
SC1M-2	SC2M-2		4.0
SC1M-3	SC2M-3		5.0
SC1M-4	SC2M-4	M2 x 0.4	3.0
SC1M-5	SC2M-5		4.0
SC1M-6	SC2M-6		5.0
SC1M-7	SC2M-7		6.0
SC1M-8	SC2M-8	M3 x 0.5	3.0
SC1M-9	SC2M-9		4.0
SC1M-10	SC2M-10		5.0
SC1M-11	SC2M-11		6.0
SC1M-12	SC2M-12	M4 x 0.7	4.0
SC1M-13	SC2M-13		6.0
SC1M-14	SC2M-14		10.0
SC1M-15	SC2M-15		14.0
SC1M-16	SC2M-16	M5 x 0.8	6.0
SC1M-17	SC2M-17		10.0
SC1M-18	SC2M-18		14.0
SC1M-19	SC2M-19		20.0
SC1M-20	SC2M-20	M6 x 1.0	6.0
SC1M-21	SC2M-21		10.0
SC1M-22	SC2M-22		16.0
SC1M-23	SC2M-23		25.0
SC1M-28	SC2M-28	M8 x 1.25	10.0
SC1M-29	SC2M-29		16.0
SC1M-30	SC2M-30		25.0
SC1M-24	SC2M-24	M10 x 1.5	12.0
SC1M-25	SC2M-25		20.0
SC1M-26	SC2M-26		30.0



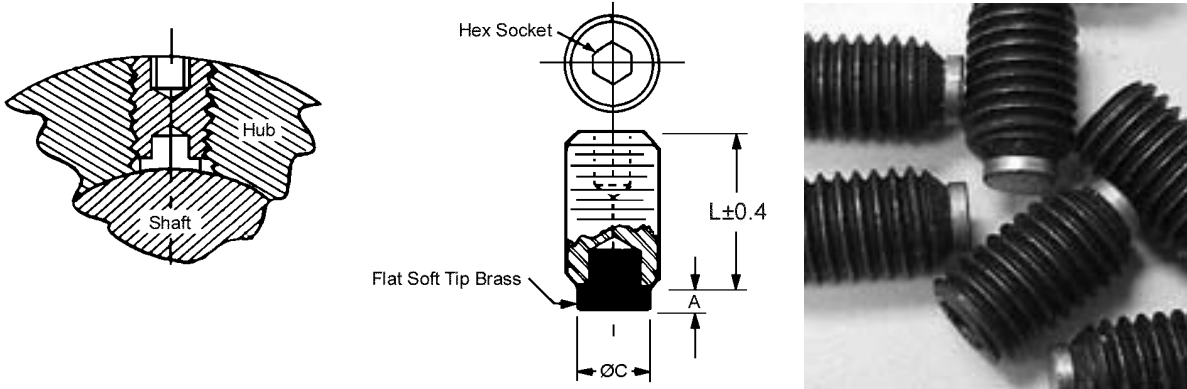
See Index for Allen Socket Head Keys.

These parts are sold in packages of 10.

F

SET SCREWS

THREAD	STYLE	MATERIAL
M3 X 0.5 TO M10 X 1.5	BRASS SOFT TIP HEX SOCKET	STAINLESS STEEL DIN 1.4300 AND HEAT TREATED ALLOY STEEL



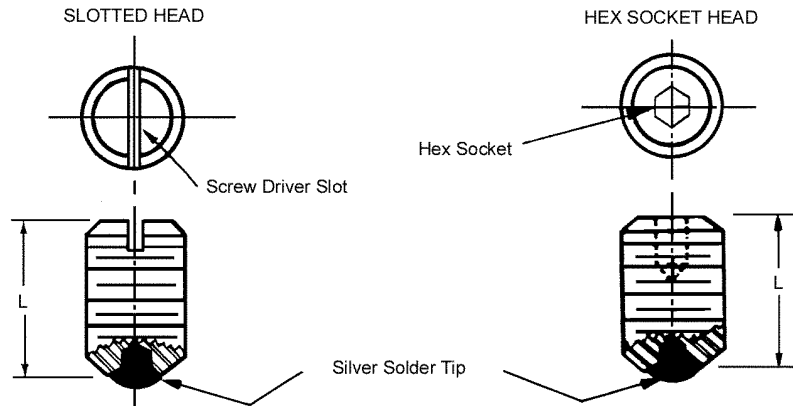
STOCK NO.	THREAD	L	C	A	MATERIAL			
SC10M-3	M3 x 0.5	3.0	1.6	.8	STAINLESS STEEL DIN 1.4300			
SC10M-4		6.0						
SC10M-5		9.0						
SC10M-6	M4 x 0.7	4.0	2.4	1.2		ALLOY STEEL		
SC10M-7		6.0						
SC10M-8		10.0						
SC10M-9	M5 x 0.8	6.0	2.4	1.2			BLACK OXIDE FINISH	
SC10M-10		10.0						
SC10M-11		16.0						
SC10M-12	M6 x 1.0	6.0	3.2	1.6				BLACK OXIDE FINISH
SC10M-14		10.0						
SC10M-15		25.0						
SC10M-16	M8 x 1.25	6.0	3.2	1.6	BLACK OXIDE FINISH			
SC10M-17		10.0						
SC10M-18		16.0						
SC10M-19		25.0						
SC10M-20	M10 x 1.5	10.0	4.8	2.4		BLACK OXIDE FINISH		
SC10M-21		16.0						
SC10M-22		25.0						

- Non marring
- Self locking
- Also used as position adjustment screw
- Screws may be used over and over
- Conforms to shaft surface for positive grip

Length is exclusive of brass tip.

SET SCREWS

THREAD	STYLE	MATERIAL
M2 X 0.4 TO M10 X 1.5	SILVER SOLDER TIP SLOTTED HEAD AND HEX SOCKET	STAINLESS STEEL DIN 1.4300



SLOTTED HEAD STOCK NO.	HEX SOCKET HEAD STOCK NO.	THREAD	L
SC5M-4	SC6M-4	M2 x 0.4	3.0
SC5M-5	SC6M-5		4.0
SC5M-6	SC6M-6		5.0
SC5M-7	SC6M-7		6.0
SC5M-8	SC6M-8	M3 x 0.5	3.0
SC5M-9	SC6M-9		4.0
SC5M-10	SC6M-10		5.0
SC5M-11	SC6M-11		6.0
SC5M-12	SC6M-12	M4 x 0.7	4.0
-	SC6M-13		6.0
-	SC6M-14		10.0
-	SC6M-15		14.0
SC5M-16	SC6M-16	M5 x 0.8	6.0
SC5M-17	SC6M-17		10.0
SC5M-18	SC6M-18		14.0
SC5M-19	SC6M-19		20.0
SC5M-20	SC6M-20	M6 x 1.0	6.0
SC5M-21	SC6M-21		10.0
SC5M-22	SC6M-22		16.0
SC5M-23	SC6M-23		25.0
SC5M-28	SC6M-28	M8 x 1.25	10.0
SC5M-29	SC6M-29		16.0
SC5M-30	SC6M-30		25.0
SC5M-24	SC6M-24	M10 x 1.5	12.0
SC5M-25	SC6M-25		20.0
SC5M-26	SC6M-26		30.0

- Also used as position adjustment screw
- Conforms to shaft surface for positive grip
- Non marring
- Self locking

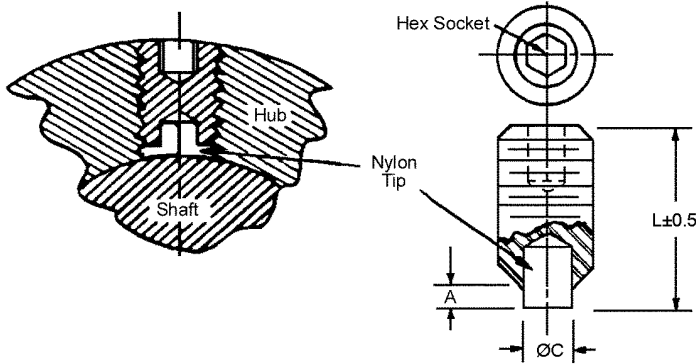
Special sizes are available on request.

Length is exclusive of silver tip.

F

SET SCREWS

THREAD	STYLE	MATERIAL
M2 X 0.4 TO M10 X 1.5	SOFT TIP SLOTTED HEAD	STAINLESS STEEL DIN 1.4300 WITH NYLON TIP

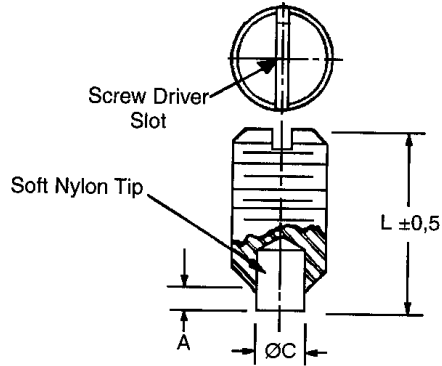


STOCK NO.	THREAD	L	C	A
SC8M-1	M2 X 0.4	3.8	.8	.8
SC8M-2		4.8		
SC8M-3		5.8		
SC8M-4		6.8		
SC8M-5	M3 X 0.5	3.8	1.6	.8
SC8M-6		4.8		
SC8M-7		5.8		
SC8M-8		6.8		
SC8M-9	M4 x 0.7	5.2	2.4	1.2
SC8M-10		7.2		
SC8M-11		11.2		
SC8M-12		15.2		
SC8M-13	M5 x 0.8	7.2	2.4	1.2
SC8M-14		11.2		
SC8M-15		15.2		
SC8M-16		21.2		
SC8M-17	M6 x 1.0	7.6	3.2	1.6
SC8M-18		11.6		
SC8M-19		17.6		
SC8M-20		26.6		
SC8M-24	M8 x 1.25	8.4	4.8	2.4
SC8M-25		12.4		
SC8M-26		18.4		
SC8M-27		27.4		
SC8M-21	M10 x 1.5	14.4	6.5	3.5
SC8M-22		22.4		
SC8M-23		32.4		

- Self locking
- Extra holding power from full face control
- Will not mar or damage shaft
- Nylon "soft tip" conforms to shape of shaft

SET SCREWS

THREAD	STYLE	MATERIAL
M3 X 0.5 TO M6 X 1.0	SOFT TIP SLOTTED HEAD	STAINLESS STEEL DIN 1.4300 WITH NYLON TIP



STOCK NO.	THREAD	L	C	A
SC7M-1	M3 x 0.5	4.8	1.6	.8
SC7M-2	M4 x 0.7	7.2	2.4	1.2
SC7M-3	M5 x 0.8	11.2	2.4	1.2
SC7M-4	M6 x 1.0	7.6	3.2	1.6
SC7M-6		20.6		

- Self locking
- Non marring
- Also used as position adjustment screw
- Screw may be used over and over
- Conforms to shaft surface for positive grip

SHOULDER SCREWS

THREAD	STYLE	MATERIAL
M3 X 0.5	SLOTTED HEAD	STAINLESS STEEL DIN 1.4005 AND STAINLESS STEEL DIN 1.4305

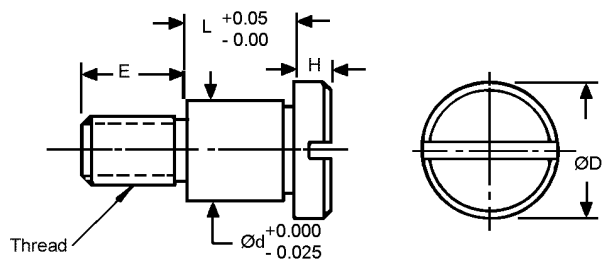
DIN 1.4005 STOCK NO.	DIN 1.4305 STOCK NO.	THREAD	Ød	L	ØD	H	E
PLM-1	PLM-1-3	M3 x 0.5	3.987 (4)	4.01	6	3	4
PLM-2	PLM-2-3			5.01			
PLM-3	PLM-3-3			6.01			
PLM-4	PLM-4-3			8.01			
PLM-5	PLM-5-3			10.01			

THREAD	STYLE	MATERIAL
M4 X 0.7	SLOTTED HEAD	STAINLESS STEEL DIN 1.4005 AND STAINLESS STEEL DIN 1.4305

DIN 1.4005 STOCK NO.	DIN 1.4305 STOCK NO.	THREAD	Ød	L	ØD	H	E
PLM-6	PLM-6-3	M4 x 0.7	4.987 (5)	4.01	8	4	5
PLM-7	PLM-7-3			5.01			
PLM-8	PLM-8-3			6.01			
PLM-9	PLM-9-3			8.01			
PLM-10	PLM-10-3			10.01			
PLM-11	PLM-11-3			12.01			
PLM-12	PLM-12-3			14.01			
PLM-13	PLM-13-3			16.01			
PLM-14	PLM-14-3			20.01			
PLM-15	PLM-15-3			25.01			
PLM-16	PLM-16-3			30.01			

THREAD	STYLE	MATERIAL
M5 X 0.8	SLOTTED HEAD	STAINLESS STEEL DIN 1.4005 AND STAINLESS STEEL DIN 1.4305

DIN 1.4005 STOCK NO.	DIN 1.4305 STOCK NO.	THREAD	Ød	L	ØD	H	E
PLM-17	PLM-17-3	M5 x 0.8	5.987 (6)	4.01	10	5	6
PLM-18	PLM-18-3			5.01			
PLM-19	PLM-19-3			6.01			
PLM-20	PLM-20-3			8.01			
PLM-21	PLM-21-3			10.01			
PLM-22	PLM-22-3			12.01			
PLM-23	PLM-23-3			14.01			
PLM-24	PLM-24-3			16.01			
PLM-25	PLM-25-3			20.01			
PLM-26	PLM-26-3			25.01			
PLM-27	PLM-27-3			30.01			



SHOULDER SCREWS

THREAD	STYLE	MATERIAL
M6 X 1.0	SLOTTED HEAD	STAINLESS STEEL DIN 1.4005 AND STAINLESS STEEL DIN 1.4305

DIN 1.4005 STOCK NO.	DIN 1.4305 STOCK NO.	THREAD	Ød	L	ØD	H	E
PLM-28	PLM-28-3	M6 x 1.0	7.987 (8)	6.01	12	6	11
PLM-29	PLM-29-3			8.01			
PLM-30	PLM-30-3			10.01			
PLM-31	PLM-31-3			12.01			
PLM-32	PLM-32-3			16.01			
PLM-33	PLM-33-3			20.01			

THREAD	STYLE	MATERIAL
M6 X 1.0	SLOTTED HEAD	STAINLESS STEEL DIN 1.4005 AND STAINLESS STEEL DIN 1.4305

DIN 1.4005 STOCK NO.	DIN 1.4305 STOCK NO.	THREAD	Ød	L	ØD	H	E
PLM-34	PLM-34-3	M6 x 1.0	9.987 (10)	8.01	12	6	11
PLM-35	PLM-35-3			10.01			
PLM-36	PLM-36-3			12.01			
PLM-37	PLM-37-3			16.01			
				16.01			

THREAD	STYLE	MATERIAL
M8 X 1.25	SLOTTED HEAD	STAINLESS STEEL DIN 1.4005 AND STAINLESS STEEL DIN 1.4305

DIN 1.4005 STOCK NO.	DIN 1.4305 STOCK NO.	THREAD	Ød	L	ØD	H	E
PLM-38	PLM-38-3	M8 x 1.25	9.987 (10)	8.01	14	7	12
PLM-39	PLM-39-3			10.01			
PLM-40	PLM-40-3			12.01			
PLM-41	PLM-41-3			16.01			
				16.01			

THREAD	STYLE	MATERIAL
M10 X 1.5	SLOTTED HEAD	STAINLESS STEEL DIN 1.4005 AND STAINLESS STEEL DIN 1.4305

DIN 1.4005 STOCK NO.	DIN 1.4305 STOCK NO.	THREAD	Ød	L	ØD	H	E
PLM-42	PLM-42-3	M10 x 1.5	11.987 (12)	12.01	20	8	16
PLM-43	PLM-43-3			16.01			
PLM-44	PLM-44-3			20.01			
PLM-45	PLM-45-3			25.01			
				25.01			

Drawing on previous page.

F

SHOULDER SCREWS

THREAD	STYLE	MATERIAL
M3 X 0.5	HEX SOCKET HEAD	STAINLESS STEEL DIN 1.4005 AND STAINLESS STEEL DIN 1.4305

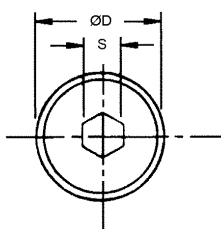
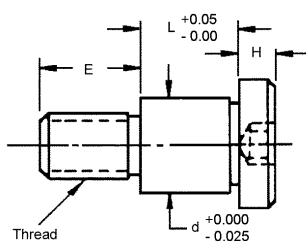
DIN 1.4005 STOCK NO.	DIN 1.4305 STOCK NO.	THREAD	Ød	L	ØD	H	E	S
PZM-1	PZM-1-3	M3 x 0.5	3.987 (4)	4.01	6	3	4	2
PZM-2	PZM-2-3			5.01				
PZM-3	PZM-3-3			6.01				
PZM-4	PZM-4-3			8.01				
PZM-5	PZM-5-3			10.01				

THREAD	STYLE	MATERIAL
M4 X 0.7	HEX SOCKET HEAD	STAINLESS STEEL DIN 1.4005 AND STAINLESS STEEL DIN 1.4305

DIN 1.4005 STOCK NO.	DIN 1.4305 STOCK NO.	THREAD	Ød	L	ØD	H	E	S
PZM-6	PZM-6-3	M4 x 0.7	4.987 (5)	4.01	8	4	5	2.5
PZM-7	PZM-7-3			5.01				
PZM-8	PZM-8-3			6.01				
PZM-9	PZM-9-3			8.01				
PZM-10	PZM-10-3			10.01				
PZM-11	PZM-11-3			12.01				
PZM-12	PZM-12-3			14.01				
PZM-13	PZM-13-3			16.01				
PZM-14	PZM-14-3			20.01				
PZM-15	PZM-15-3			25.01				
PZM-16	PZM-16-3			30.01				

THREAD	STYLE	MATERIAL
M5 X 0.8	HEX SOCKET HEAD	STAINLESS STEEL DIN 1.4005 AND STAINLESS STEEL DIN 1.4305

DIN 1.4005 STOCK NO.	DIN 1.4305 STOCK NO.	THREAD	Ød	L	ØD	H	E	S
PZM-17	PZM-17-3	M5 x 0.8	5.987 (6)	4.01	10	5	6	3
PZM-18	PZM-18-3			5.01				
PZM-19	PZM-19-3			6.01				
PZM-20	PZM-20-3			8.01				
PZM-21	PZM-21-3			10.01				
PZM-22	PZM-22-3			12.01				
PZM-23	PZM-23-3			14.01				
PZM-24	PZM-24-3			16.01				
PZM-25	PZM-25-3			20.01				
PZM-26	PZM-26-3			25.01				
PZM-27	PZM-27-3			30.01				



See index for hex wrenches.

SHOULDER SCREWS

THREAD	STYLE	MATERIAL
M6 X 1.0	HEX SOCKET HEAD	STAINLESS STEEL DIN 1.4005 AND STAINLESS STEEL DIN 1.4305

DIN 1.4005 STOCK NO.	DIN 1.4305 STOCK NO.	THREAD	Ød	L	ØD	H	E	S
PZM-28 PZM-29 PZM-30 PZM-32 PZM-33	PZM-28-3 PZM-29-3 PZM-31-3 PZM-32-3 PZM-33-3	M6 x 1.0	7.987 (8)	6.01 8.01 12.01 16.01 20.01	12	6	11	4

THREAD	STYLE	MATERIAL
M6 X 1.0	HEX SOCKET HEAD	STAINLESS STEEL DIN 1.4005 AND STAINLESS STEEL DIN 1.4305

DIN 1.4005 STOCK NO.	DIN 1.4305 STOCK NO.	THREAD	Ød	L	ØD	H	E	S
PZM-34 PZM-35 PZM-36 PZM-37	PZM-34-3 PZM-35-3 PZM-36-3 PZM-37-3	M6 x 1.0	9.987 (10)	8.01 10.01 12.01 16.01	12	6	11	4

THREAD	STYLE	MATERIAL
M8 X 1.25	HEX SOCKET HEAD	STAINLESS STEEL DIN 1.4005 AND STAINLESS STEEL DIN 1.4305

DIN 1.4005 STOCK NO.	DIN 1.4305 STOCK NO.	THREAD	Ød	L	ØD	H	E	S
PZM-38 PZM-39 PZM-40 PZM-41	PZM-38-3 PZM-39-3 PZM-40-3 PZM-41-3	M8 x 1.25	9.987 (10)	8.01 10.01 12.01 16.01	14	7	12	5

THREAD	STYLE	MATERIAL
M10 X 1.5	HEX SOCKET HEAD	STAINLESS STEEL DIN 1.4005 AND STAINLESS STEEL DIN 1.4305

DIN 1.4005 STOCK NO.	DIN 1.4305 STOCK NO.	THREAD	Ød	L	ØD	H	E	S
PZM-42 PZM-43 PZM-44 PZM-45	PZM-42-3 PZM-43-3 PZM-44-3 PZM-45-3	M10 x1.5	11.987 (12)	12.01 16.01 20.01 25.01	20	8	16	6

See index for hex wrenches.

Drawing on previous page.

F

PRECISION CAPTIVE SCREWS

THREAD	STYLE	MATERIAL
M3 x 0.5 to M5 x 0.8	SLOTTED HEAD	DIN 1.4305 STAINLESS STEEL

SLOTTED HEAD STOCK NO.	L	M	H	ØE	ØD	THREAD TOL=6g
Z12M-1	6.75	4.5	2.0	2.14	5.2	M3 x 0.5
Z12M-2	8.25	4.5	2.0	2.14	5.2	M3 x 0.5
Z12M-3	9.75	6.0	2.8	2.89	7.0	M4 x 0.7
Z12M-4	11.75	6.0	2.8	2.89	7.0	M4 x 0.7
Z12M-5	12.75	6.0	2.8	2.89	7.0	M4 x 0.7
Z12M-6	13.25	7.5	3.5	3.77	9.0	M5 x 0.8
Z12M-7	14.25	7.5	3.5	3.77	9.0	M5 x 0.8

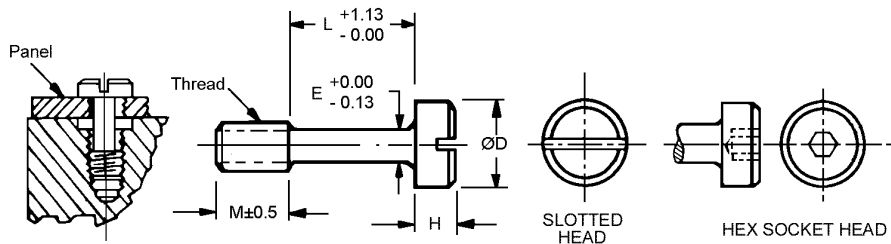
Specials Upon request.

THREAD	STYLE	MATERIAL
M3 x 0.5 to M5 x 0.8	HEX SOCKET HEAD	DIN 1.4305 STAINLESS STEEL

HEX SOCKET STOCK NO.	L	M	H	ØE	ØD	THREAD TOL=6g
Z12M-1-H	6.75	4.5	2.0	2.14	5.2	M3 x 0.5
Z12M-2-H	8.25	4.5	2.0	2.14	5.2	M3 x 0.5
Z12M-3-H	9.75	6.0	2.8	2.89	7.0	M4 x 0.7
Z12M-4-H	11.75	6.0	2.8	2.89	7.0	M4 x 0.7
Z12M-5-H	12.75	6.0	2.8	2.89	7.0	M4 x 0.7
Z12M-6-H	13.25	7.5	3.5	3.77	9.0	M5 x 0.8
Z12M-7-H	14.25	7.5	3.5	3.77	9.0	M5 x 0.8

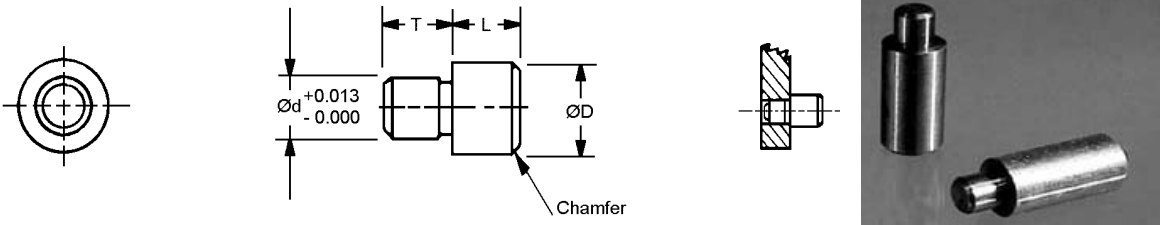
Specials Upon request.

See index for hex wrenches.



PRECISION JIG BUTTONS

MATERIAL
STAINLESS STEEL DIN 1.4300



STOCK NO.	L	T	ØD	Ød
PMM-1	6	6	10	5.000
PMM-2	10	6	10	5.000
PMM-3	12	6	10	5.000
PMM-4	6	8	12	6.000
PMM-5	10	8	12	6.000
PMM-6	12	8	12	8.000
PMM-7	19	8	12	8.000
PMM-8	25	8	12	8.000

F

THUMB SCREWS

THREAD	STYLE	MATERIAL
M3 X 0.5	PLASTIC HEAD, KNURLED	STAINLESS STEEL WITH BLACK PLASTIC HEAD

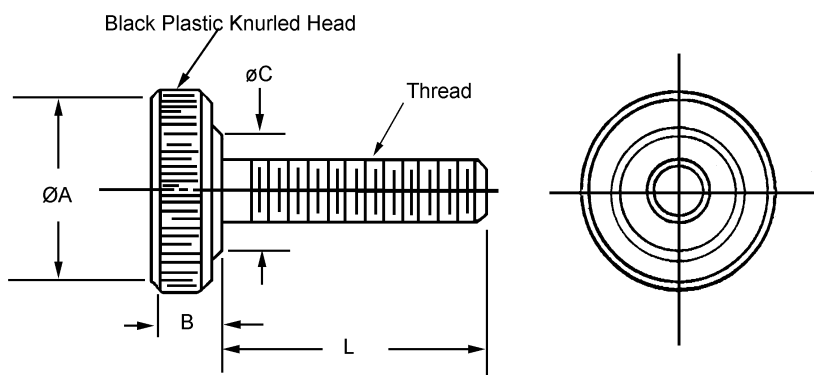
STOCK NO.	THREAD TOL=6g	ØA	B	ØC	L
PQCM-1	M3 X 0.5	9.6	4.4	8.3	5
PQCM-2					8
PQCM-3					12
PQCM-4					20
PQCM-5					25

THREAD	STYLE	MATERIAL
M4 X 0.7	PLASTIC HEAD, KNURLED	STAINLESS STEEL WITH BLACK PLASTIC HEAD

STOCK NO.	THREAD TOL=6g	ØA	B	ØC	L
PQCM-6	M4 X 0.7	13.0	5.5	9.8	6
PQCM-7					10
PQCM-8					12
PQCM-9					20
PQCM-10					25

THREAD	STYLE	MATERIAL
M5 X 0.8	PLASTIC HEAD, KNURLED	STAINLESS STEEL WITH BLACK PLASTIC HEAD

STOCK NO.	THREAD TOL=6g	ØA	B	ØC	L
PQCM-11	M5 X 0.8	16.0	6.5	11.5	8
PQCM-12					10
PQCM-13					12
PQCM-14					20
PQCM-15					25



Other sizes, special lengths and non-stainless screws available on request.



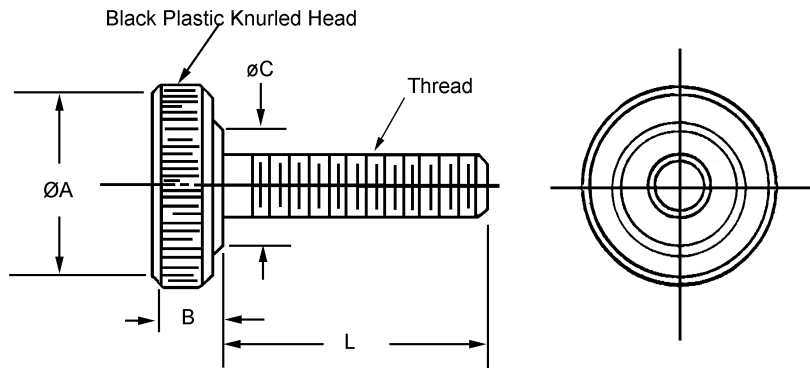
THUMB SCREWS

THREAD	STYLE	MATERIAL
M6 X 1.0	PLASTIC HEAD, KNURLED	STAINLESS STEEL DIN 1.4005 WITH BLACK PLASTIC HEAD

STOCK NO.	THREAD	ØA	B	ØC	L
PQCM-16	M6 X 1.0	19.0	7.6	13.0	10
PQCM-17					12
PQCM-18					16
PQCM-18					20
PQCM-20					25

THREAD	STYLE	MATERIAL
M8 X 1.25	PLASTIC HEAD, KNURLED	STAINLESS STEEL 1.4005 WITH BLACK PLASTIC HEAD

STOCK NO.	THREAD	ØA	B	ØC	L
PQCM-21	M8 X 1.25	26.0	9.8	16.0	10
PQCM-22					12
PQCM-23					16
PQCM-24					20
PQCM-25					25



Other sizes, special lengths and non-stainless screws available on request.



F

THUMB SCREWS

THREAD	STYLE	MATERIAL
M3 X 0.5	STRAIGHT KNURLED	STAINLESS STEEL DIN 1.4005 AND STAINLESS STEEL DIN 1.4305

DIN 1.4005 STOCK NO.	DIN 1.4305 STOCK NO.	THREAD	ØD	L	F	E
PQM-1	PQM-1-3	M3 X 0.5	7	12	8	3
PQM-2	PQM-2-3			25	11	12
PQM-3	PQM-3-3			32	16	12

THREAD	STYLE	MATERIAL
M3 X 0.5	STRAIGHT KNURLED	STAINLESS STEEL DIN 1.4005 AND STAINLESS STEEL DIN 1.4305

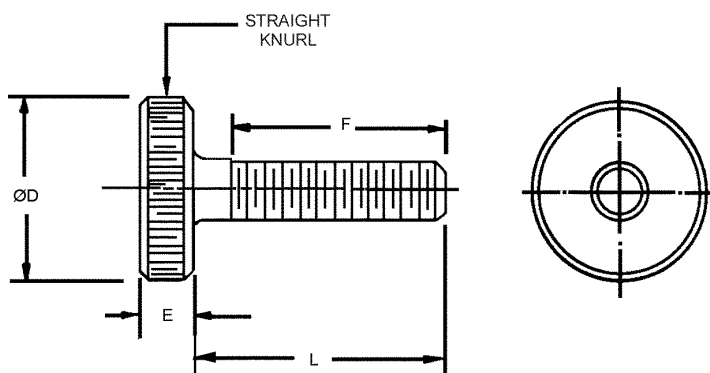
DIN 1.4005 STOCK NO.	DIN 1.4305 STOCK NO.	THREAD	ØD	L	F	E
PQM-4	PQM-4-3	M3 X 0.5	10	12	8	3
PQM-5	PQM-5-3			16	11	

THREAD	STYLE	MATERIAL
M4 X 0.7	STRAIGHT KNURLED	STAINLESS STEEL DIN 1.4005 AND STAINLESS STEEL DIN 1.4305

DIN 1.4005 STOCK NO.	DIN 1.4305 STOCK NO.	THREAD	ØD	L	F	E
PQM-11	PQM-11-3	M4 X 0.7	7	25	11	12
PQM-12	PQM-12-3			32	16	
PQM-13	PQM-13-3			38	24	

THREAD	STYLE	MATERIAL
M4 X 0.7	STRAIGHT KNURLED	STAINLESS STEEL DIN 1.4005 AND STAINLESS STEEL DIN 1.4305

DIN 1.4005 STOCK NO.	DIN 1.4305 STOCK NO.	THREAD	ØD	L	F	E
PQM-14	PQM-14-3	M4 X 0.7	10	12	8	3
PQM-15	PQM-15-3			16	10	



THUMB SCREWS

THREAD	STYLE	MATERIAL
M5 X 0.8	STRAIGHT KNURLED	STAINLESS STEEL DIN 1.4005 AND STAINLESS STEEL DIN 1.4305

DIN 1.4005 STOCK NO.	DIN 1.4305 STOCK NO.	THREAD	ØD	L	F	E
PQM-16	PQM-16-3	M5 X 0.8	10	18	11	5
PQM-17	PQM-17-3			25	16	
PQM-18	PQM-18-3			30	20	
PQM-19	PQM-19-3			36	25	

THREAD	STYLE	MATERIAL
M5 X 0.8	STRAIGHT KNURLED	STAINLESS STEEL DIN 1.4005 AND STAINLESS STEEL DIN 1.4305

DIN 1.4005 STOCK NO.	DIN 1.4305 STOCK NO.	THREAD	ØD	L	F	E
PQM-20	PQM-20-3	M5 X 0.8	12	25	16	5
PQM-21	PQM-21-3			36	20	
PQM-22	PQM-22-3			25	25	
PQM-23	PQM-23-3			42	32	

THREAD	STYLE	MATERIAL
M5 X 0.8	STRAIGHT KNURLED	STAINLESS STEEL DIN 1.4005 AND STAINLESS STEEL DIN 1.4305

DIN 1.4005 STOCK NO.	DIN 1.4305 STOCK NO.	THREAD	ØD	L	F	E
PQM-24	PQM-24-3	M5 X 0.8	19	25	16	5
PQM-25	PQM-25-3			30	20	
PQM-26	PQM-26-3			36	25	
PQM-27	PQM-27-3			42	32	

THREAD	STYLE	MATERIAL
M6 X 1.0	STRAIGHT KNURLED	STAINLESS STEEL DIN 1.4005 AND STAINLESS STEEL DIN 1.4305

DIN 1.4005 STOCK NO.	DIN 1.4305 STOCK NO.	THREAD	ØD	L	F	E
PQM-28	PQM-28-3	M6 X 1.0	19.0	25.0	16	5
PQM-29	PQM-29-3			30.0	20	
PQM-30	PQM-30-3			36.5	25	
PQM-31	PQM-31-3			42.5	32	

THREAD	STYLE	MATERIAL
M6 X 1.0	STRAIGHT KNURLED	STAINLESS STEEL DIN 1.4005 AND STAINLESS STEEL DIN 1.4305

DIN 1.4005 STOCK NO.	DIN 1.4305 STOCK NO.	THREAD	ØD	L	F	E
PQM-32	PQM-32-3	M6 X 1.0	25.5	25.0	16	5
PQM-33	PQM-33-3			30.0	20	
PQM-34	PQM-34-3			36.5	25	
PQM-35	PQM-35-3			42.0	32	

Drawing on previous page.

THUMB SCREWS

THREAD	STYLE	MATERIAL
M3 X 0.5	KNURLED SOCKET HEAD	STAINLESS STEEL DIN 1.4305

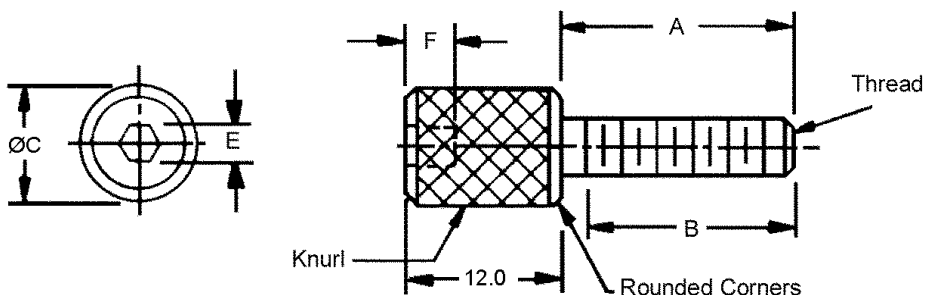
STOCK NO.	THREAD	A	ØC	B	E	F (MIN.)
PQHM-1 PQHM-2	M3 X 0.5	12 19	6	11 16	2	2
PQHM-3 PQHM-4	M3 X 0.5	12 19	8	11 16	2	2
PQHM-5 PQHM-6	M3 X 0.5	10 12	10	8 11	3	3

THREAD	STYLE	MATERIAL
M4 X 0.7	KNURLED SOCKET HEAD	STAINLESS STEEL DIN 1.4305

STOCK NO.	THREAD	A	ØC	B	E	F (MIN.)
PQHM-15 PQHM-16 PQHM-17	M4 X 0.7	12 19 25	6	11 16 20	2	2
PQHM-18 PQHM-19 PQHM-20	M4 X 0.7	19 10 25	8	11 16 20	2	2
PQHM-21 PQHM-22	M4 X 0.7	10 12	10	8 12	3	3

THREAD	STYLE	MATERIAL
M5 X 0.8	KNURLED SOCKET HEAD	STAINLESS STEEL DIN 1.4305

STOCK NO.	THREAD	A	ØC	B	E	F (MIN.)
PQHM-23 PQHM-24 PQHM-25 PQHM-26	M5 X 0.8	12 19 25 32	8	11 16 20 25	2	2
PQHM-27 PQHM-28 PQHM-27 PQHM-29	M5 X 0.8	10 25 10 32	10	11 16 20 25	3	3



THUMB NUTS

THREAD	STYLE	MATERIAL
M3 X 0.5	KNURLED	STAINLESS STEEL DIN 1.4305

STOCK NO.	THREAD	ØA	B	ØC	D	COUNTERBORE	
						DIA.	DEEP
PD1M-1	M3 X 0.5	12.0	6.0	3.0	6.0	-	-
PD1M-2		12.0			3.2	6.0	
PD1M-3		19.0			-	-	
PD1M-4		19.0			3.2	6.0	

THREAD	STYLE	MATERIAL
M4 X 0.7	KNURLED	STAINLESS STEEL DIN 1.4305

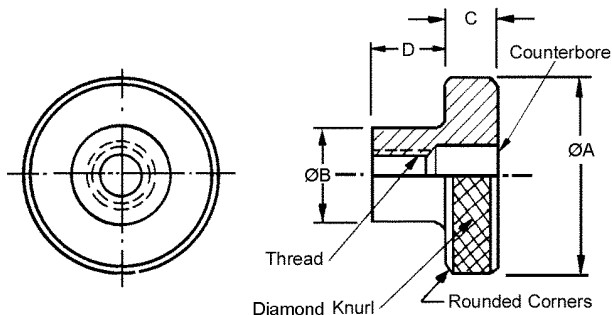
STOCK NO.	THREAD	ØA	B	ØC	D	COUNTERBORE	
						DIA.	DEEP
PD1M-9	M4 X 0.7	12.0	8.0	3.0	6.0	-	-
PD1M-10		12.0			4.2	6.0	
PD1M-11		19.0			-	-	
PD1M-12		19.0			4.2	6.0	

THREAD	STYLE	MATERIAL
M5 X 0.8	KNURLED	STAINLESS STEEL DIN 1.4305

STOCK NO.	THREAD	ØA	B	ØC	D	COUNTERBORE	
						DIA.	DEEP
PD1M-13	M5 X 0.8	12.0	10.0	5.0	6.0	-	-
PD1M-14		12.0			5.3	7.5	
PD1M-15		25.5			-	-	
PD1M-16		25.5			5.3	7.5	

THREAD	STYLE	MATERIAL
M6 X 1.0	KNURLED	STAINLESS STEEL DIN 1.4305

STOCK NO.	THREAD	ØA	B	ØC	D	COUNTERBORE	
						DIA.	DEEP
PD1M-17	M6 X 1.0	19.0	12.5	6.5	6.0	-	-
PD1M-18		19.0			6.4	9.0	
PD1M-19		25.5			-	-	
PD1M-20		25.5			6.4	9.0	
PD1M-21		25.5			6.4	15.0	



F

THREADED STUDS

THREAD	STYLE	MATERIAL
M3.5 X 0.6	DOUBLE ENDED	STAINLESS STEEL DIN 1.4305

STOCK NO.	L	THREAD SIZE BOTH ENDS	D	d
PVM-1	25.5	M3.5 X 0.6	6.0	12.0
PVM-2	32.0			15.0
PVM-3	38.0			19.0
PVM-4	44.5			19.0
PVM-5	50.0			19.0

THREAD	STYLE	MATERIAL
M4 X 0.7	DOUBLE ENDED	STAINLESS STEEL DIN 1.4305

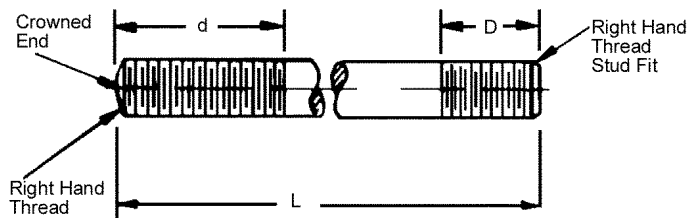
STOCK NO.	L	THREAD SIZE BOTH ENDS	D	d
PVM-6	25.5	M4 X 0.7	6.0	12.0
PVM-7	32.0			15.0
PVM-8	38.0			19.0
PVM-9	44.5			19.0
PVM-10	50.0			19.0

THREAD	STYLE	MATERIAL
M5 X 0.8	DOUBLE ENDED	STAINLESS STEEL DIN 1.4305

STOCK NO.	L	THREAD SIZE BOTH ENDS	D	d
PVM-11	25.5	M5 X 0.8	6.0	12.0
PVM-12	32.0			15.0
PVM-13	38.0			19.0
PVM-14	44.5			19.0
PVM-15	50.0			19.0

THREAD	STYLE	MATERIAL
M6 X 1.0	DOUBLE ENDED	STAINLESS STEEL DIN 1.4305

STOCK NO.	L	THREAD SIZE BOTH ENDS	D	d
PVM-16	37.0	M6 X 1.0	7.0	15.0
PVM-17	38.0			15.0
PVM-18	44.5			19.0
PVM-19	50.0			19.0
PVM-20	63.5			19.0
PVM-21	76.0			25.0



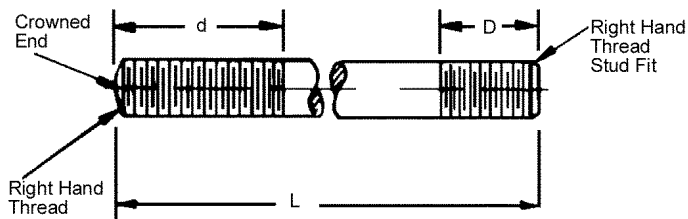
THREADED STUDS

THREAD	STYLE	MATERIAL
M8 X 1.25	DOUBLE ENDED	STAINLESS STEEL DIN 1.4305

STOCK NO.	L	THREAD SIZE BOTH ENDS	D	d
PVM-22	38.0	M8 X 1.25	8.0	15.0
PVM-23	50.0			25.5
PVM-24	63.5			32.0
PVM-25	76.0			35.0
PVM-26	88.0			38.0
PVM-27	100.0			38.0

THREAD	STYLE	MATERIAL
M10 X 1.5	DOUBLE ENDED	STAINLESS STEEL DIN 1.4305

STOCK NO.	L	THREAD SIZE BOTH ENDS	D	d
PVM-28	42.0	M10 X 1.5	8.0	19.0
PVM-29	50.0			25.4
PVM-30	63.5			32.0
PVM-31	76.0			35.0
PVM-32	89.0			38.0
PVM-33	102.0			38.0

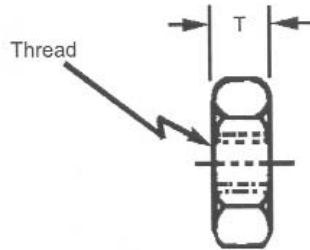
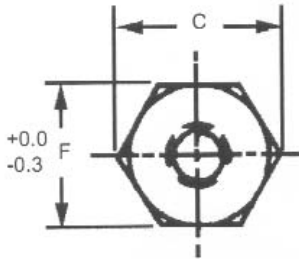


F

HEX NUTS

MATERIAL

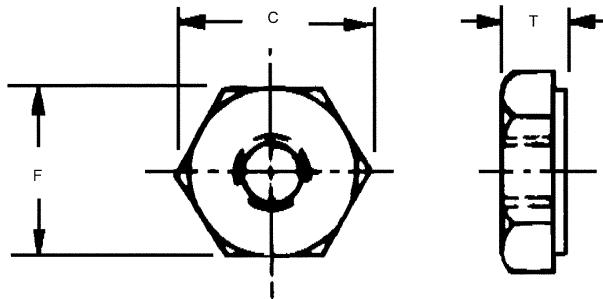
STAINLESS STEEL DIN 1.4305



STOCK NO.	THREAD SIZE	T (MAX.)	C (Ref.)	F
Y5-M1	M1.6 X 0.35	1.3	3.5	3.2
Y5-M2	M2 X 0.4	1.6	4.4	4.0
Y5-M3	M3 X 0.5	2.4	6.0	5.5
Y5-M4	M4 X 0.7	3.2	7.7	7.0
Y5-M5	M5 X 0.8	4.0	8.8	8.0
Y5-M6	M6 X 1.0	5.0	11.1	10.0
Y5-M8	M8 X 1.25	6.5	14.4	13.0
Y5-M10	M10 X 1.5	8.0	18.9	17.0

MATERIAL

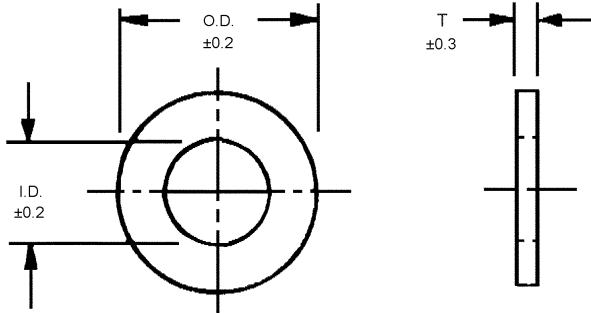
MOLDED NYLON



STOCK NO.	THREAD SIZE	T	C (Ref.)	F
Z5-N-M2	M2 X 0.4	1.2	3.9	3.9
Z5-N-M3	M3 X 0.5	2.2	5.4	5.4
Z5-N-M4	M4 X 0.7	3.0	6.9	6.9
Z5-N-M5	M5 X 0.8	4.3	7.9	7.9
Z5-N-M6	M6 X 1.0	5.4	9.9	9.9
Z5-N-M8	M8 X 1.25	6.4	12.9	12.9
Z5-N-M10	M10 X 1.5	9.8	14.8	16.9

WASHERS

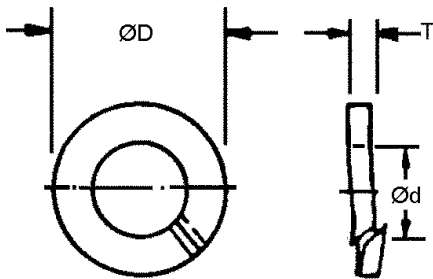
SCREW SIZE	TYPE	MATERIAL
M2 TO M10	PLAIN	MOLDED NYLON



STOCK NO.	SCREW SIZE	O.D.	I.D.	T
Z4-N-M2	M2	5.0	2.2	0.8
Z4-N-M3	M3	8.0	3.2	0.8
Z4-N-M4	M4	9.0	4.3	0.8
Z4-N-M5	M5	11.0	5.3	1.0
Z4-N-M6	M6	12.0	6.4	1.5
Z4-N-M8	M8	18.0	8.4	2.0
Z4-N-M10	M10	20.0	10.5	2.5

SOLD IN PACKAGES OF 10.

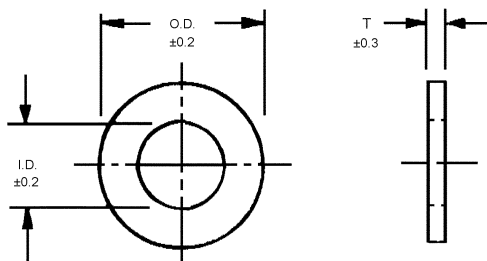
SCREW SIZE	TYPE	MATERIAL
M2 TO M10	SPLIT LOCK	STAINLESS STEEL DIN 1.4300



STOCK NO.	THREAD	ØD	Ød	TOL	T	TOL
Z3-M2	M2	4.4	2.1	+0.3	0.5	±0.1
Z3-M3	M3	6.2	3.1	+0.3	0.8	±0.1
Z3-M4	M4	7.6	4.1	+0.3	0.9	±0.1
Z3-M5	M5	9.2	5.1	+0.3	1.2	±0.1
Z3-M6	M6	11.8	6.1	+0.4	1.6	±0.1
Z3-M8	M8	14.8	8.1	+0.4	2.0	±0.1
Z3-M10	M10	18.1	10.2	+0.5	2.2	±0.15

SOLD IN PACKAGES OF 10.

SCREW SIZE	TYPE	MATERIAL
M2 TO M10	PLAIN	STAINLESS STEEL DIN 1.4300

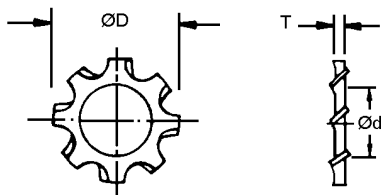


STOCK NO.	THREAD	ØD	Ød	TOL	T	TOL
Z4-M2	M2	5	2.2	+0.14	0.30	±0.05
Z4-M3	M3	5	3.2	+0.18	0.50	±0.05
Z4-M4	M4	9	4.3	+0.18	0.8	±0.1
Z4-M5	M5	10	5.3	+0.18	1.0	±0.1
Z4-M6	M6	12.5	6.4	+0.22	1.6	±0.2
Z4-M8	M8	17	8.4	+0.22	1.6	±0.2
Z4-M10	M10	21	10.5	+0.22	2.0	±0.2

SOLD IN PACKAGES OF 10.

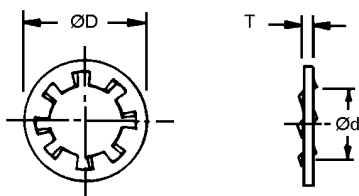
LOCK WASHERS

SCREW SIZE	STYLE	MATERIAL
M2 TO M10	EXTERNAL TOOTH	STAINLESS STEEL DIN 1.4006



STOCK NO.	THREAD	ØD	Ød	TOL	T	TOL
Z1-M2	M2	4.4	2.1	+0.3	0.5	±0.1
Z1-M3	M3	6.2	3.1	+0.3	0.8	±0.1
Z1-M4	M4	7.6	4.1	+0.3	0.9	±0.1
Z1-M5	M5	9.2	5.1	+0.3	1.2	±0.1
Z1-M6	M6	11.8	6.1	+0.4	1.6	±0.1
Z1-M8	M8	14.8	8.1	+0.4	2.0	±0.1
Z1-M10	M10	18.1	10.2	+0.5	2.2	±0.15

SCREW SIZE	STYLE	MATERIAL
M2 TO M10	INTERNAL TOOTH	STAINLESS STEEL DIN 1.4006



STOCK NO.	SCREW SIZE	ØD h14	Ød h13	T
Z2-M2	M2	4.5	2.2	0.3
Z2-M3	M3	6.0	3.2	0.4
Z2-M4	M4	8.0	4.3	0.5
Z2-M5	M5	10.0	5.3	0.6
Z2-M6	M6	11.0	6.4	0.7
Z2-M8	M8	15.0	8.4	0.8
Z2-M10	M10	18.0	10.5	0.9



THRUST WASHERS

SHAFT SIZE	TYPE	MATERIAL
5 TO 25	HARDENED GROUND	STAINLESS STEEL DIN 1.4006 OR CARBON STEEL

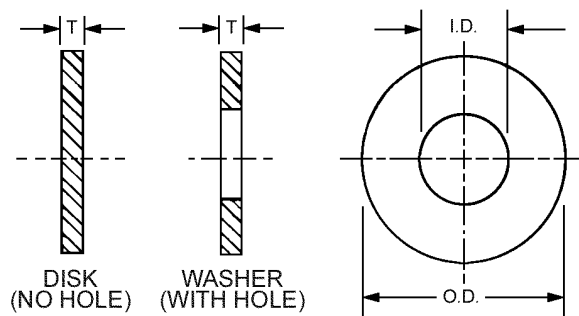
STAINLESS STEEL STOCK NO.	CARBON STEEL STOCK NO.	INSIDE DIA. +0.30 -0.00	OUTSIDE DIA. +0.00 -0.31	T ±0.05	SHAFT SIZE
CD1M-2-SS	CD1M-2	5.00	12.00	1.30	5
CD1M-3-SS	CD1M-3	6.00	14.00	1.30	6
CD1M-4-SS	CD1M-4	7.00	17.00	1.30	7
CD1M-5-SS	CD1M-5	8.00	16.00	1.30	8
CD1M-6-SS	CD1M-6	10.00	21.00	1.60	10
CD1M-7-SS	CD1M-7	12.00	24.00	1.60	12
CD1M-8-SS	CD1M-8	16.00	28.00	2.40	16
CD1M-9-SS	CD1M-9	19.00	32.00	2.40	19
CD1M-10-SS	CD1M-10	25.00	41.00	3.18	25

SHAFT SIZE	TYPE	MATERIAL
3 TO 25	PLASTIC	NYLON AND TEFLON

NYLON STOCK NO.	TEFLON® STOCK NO.	I.D. +0.13 -0.00	O.D. +0.00 -0.13	T ±0.05	SHAFT SIZE
CD7M-1	CD8M-1	3.00	9	2.5	3
CD7M-2	CD8M-2	4.00	12	2.5	4
CD7M-3	CD8M-3	5.00	13	2.5	5
CD7M-4	CD8M-4	6.00	15	2.5	6
CD7M-5	CD8M-5	8.00	19	2.5	8
CD7M-6	CD8M-6	10.00	24	2.5	10
CD7M-7	CD8M-7	12.00	30	2.5	12
CD7M-8	CD8M-8	20.00	40	2.5	20
CD7M-9	CD8M-9	25.00	40	2.5	25

SHAFT SIZE	TYPE	MATERIAL
3 TO 11	LUBRICATING	BRONZE OIL-IMPREGNATED

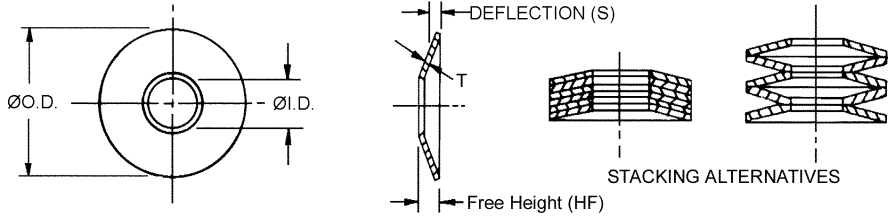
STOCK NO.	I.D. +0.1 -0.0	O.D. +0.00 -0.1	T ±0.05	SHAFT SIZE
CD3M-1	3.1	8.9	1.5	3
CD3M-2	4.1	11.9	1.5	4
CD3M-3	6.1	14.9	1.5	6
CD3M-4	8.1	18.9	2.2	8
CD3M-5	10.1	23.9	3.0	10
CD3M-6	11.1	28.9	4.7	11



F

WASHERS

STYLE	SHAFT SIZE	OUTSIDE DIAMETER	MATERIALS
BELLEVILLE	4 TO 12	8 TO 25	1095 CARBON STEEL

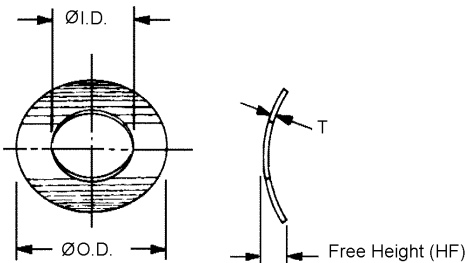


STOCK NO.	ØO.D.	ØI.D.	T	HF (Ref.)	SPRING LOAD (N) AT S=0.25HF
STM-1	8	4.2	0.2	0.45	21
STM-2			0.3	0.55	52
STM-3			0.4	0.6	78
STM-4	10	5.2	0.25	0.55	30
STM-5			0.4	0.7	88
STM-6			0.5	0.75	122
STM-7	12.5	6.2	0.35	0.8	84
STM-8			0.50	0.85	120
STM-9			0.7	1.0	239
STM-10	16	8.2	0.4	0.9	84
STM-11			0.6	1.05	172
STM-12			0.9	1.25	363
STM-13	20	10.2	0.5	1.15	141
STM-14			0.8	1.35	304
STM-15			1.1	1.55	548
STM-16	25	12.2	0.7	1.6	331
STM-17			0.9	1.6	367
STM-18			1.5	2.05	1040



Sold in packages of 10.

STYLE	SHAFT SIZE	OUTSIDE DIAMETER	MATERIALS
CURVED	3 TO 10	6 TO 18	1095 CARBON STEEL



STOCK NO.	ØI.D. (H14)	ØO.D. (js16)	HF (MIN.)	T
SUM-1	3.2	6.0	0.65	0.4
SUM-2	4.3	8.0	0.8	0.5
SUM-3	5.3	10.0	0.9	0.5
SUM-4	6.4	11.0	1.1	0.5
SUM-5	8.4	15.0	1.7	0.5
SUM-6	10.5	18.0	2.0	0.8

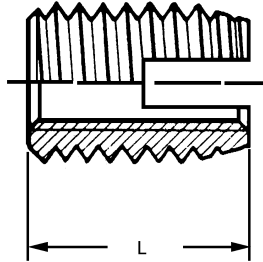
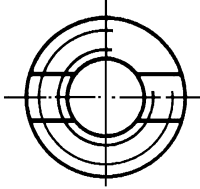


I.D. Based in long axis providing free fit on normal screw.

Sold in packages of 10.

THREAD INSERTS

THREAD SIZE	TYPE	MATERIAL
M3 X 0.5 TO M8 X 1.25	SELF TAPING	STAINLESS STEEL DIN 1.4305



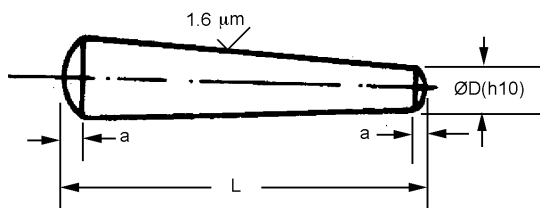
LOCKING			INSTALLATION DATA			
STOCK NUMBER	THREAD SIZE	LENGTH L ±0.3	RETAINING HOLE DIAMETER		MIN. HOLE DEPTH	INSTAL. TOOL PART NO.
			SOFT PLASTICS HARD WOOD	ALUMINUM HARD BRITTLE PLASTICS		
Y23-M3-4	M3 x 0.5	6	4.5 To 4.6	4.6 To 4.7	8	Y15-PM3
Y23-M4-5	M4 x 0.7	8	5.8 To 5.9	6.0 To 6.1	10	Y15-PM4
Y23-M5-8	M5 x 0.8	10	7.1 To 7.2	7.3 To 7.5	13	Y15-PM5
Y23-M6-10	M6 x 1.0	14	8.1 To 8.2	8.3 To 8.5	15	Y15-PM6
Y23-M8-12	M8 x 1.25	15	10.6 To 10.8	10.9 To 11.2	18	Y15-PM8

- Increase holding power
- Positive locking power
- Eliminates stripping, seizing and corrosion
- Long life without thread wear
- Save space, weight and material
- No more lock nuts

F

PINS

TYPE	MATERIALS
TAPER	STAINLESS STEEL DIN 1.4305



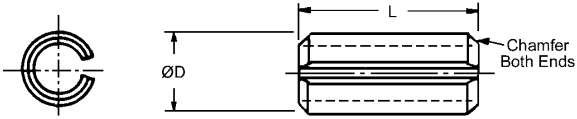
STOCK NO.	ØO.D.	L	a	Ref. SHAFT SIZE
CP3M-1	1.00	8.00	0.12	3.00
CP3M-2		10.00		TO
CP3M-3		12.00		4.00
CP3M-4	1.50	10.00	0.20	5.00
CP3M-5		12.00		
CP3M-6		14.00		
CP3M-7		16.00		
CP3M-8	20.00			
CP3M-9	2.00	12.00	0.25	6.00
CP3M-10		14.00		
CP3M-11		16.00		
CP3M-13		20.00		
CP3M-14	3.00	14.00	0.40	10.00
CP3M-16		20.00		
CP3M-17		25.00		
CP3M-18	4.00	16.00	0.50	12.00
CP3M-19		20.00		
CP3M-20		25.00		
CP3M-21		30.00		

Sold in packages of 10.

Taper 1:50

PINS

TYPE	MATERIALS
ROLL OR SPRING	STAINLESS STEEL DIN 1.4300

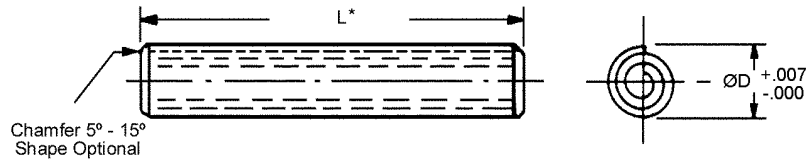


STOCK NO.	O.D. MIN.	L	DRILL SIZE	REF. SHAFT DIA.
CP5M-1	1.7	6	1.5	4.00 TO 5.00
CP5M-2		8		
CP5M-3		10		
CP5M-4		12		
CP5M-5		14		
CP5M-6		16		
CP5M-7	2.3	10	2.0	6.00
CP5M-8		12		
CP5M-9		14		
CP5M-10		16		
CP5M-11		18		
CP5M-12	3.3	10	3.0	8.00 TO 10.00
CP5M-13		12		
CP5M-14		14		
CP5M-15		16		
CP5M-16		18		
CP5M-17		20		



Sold in packages of 10.

TYPE	MATERIALS
ROLL OR SPRING STANDARD DUTY	STAINLESS STEEL DIN 1.4300



STOCK NO.	ØD	L*	DRILL SIZE	(Ref.) SHAFT
CP6M-6	1.0	4	1.0	3.00
CP6M-7		6		
CP6M-8		8		
CP6M-9		10		
CP6M-10		14		
CP6M-18	1.5	6	1.5	3.00 AND 4.00
CP6M-19		10		
CP6M-24	2.0	4	2.0	5.00 AND 6.00
CP6M-25		10		
CP6M-26		14		
CP6M-27		20		
CP6M-31	2.5	6	2.5	7.00
CP6M-32		12		
CP6M-33		18		
CP6M-38	3.0	12	3.0	8.00 THROUGH 10.00
CP6M-39		20		
CP6M-40		30		
CP6M-43	4.0	8	4.0	11.00 AND 12.00
CP6M-44		12		
CP6M-45		20		
CP6M-46		30		
CP6M-47		40		
CP6M-48*		50		

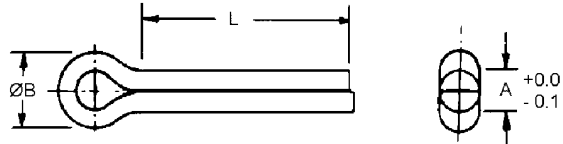


*Length tolerance of plus 0.5 for all lengths through 10mm
Plus 1.0 for all lengths over 10mm through 50mm.

Sold in packages of 10.

PINS

TYPE	MATERIALS
COTTER	STAINLESS STEEL DIN 1.4310

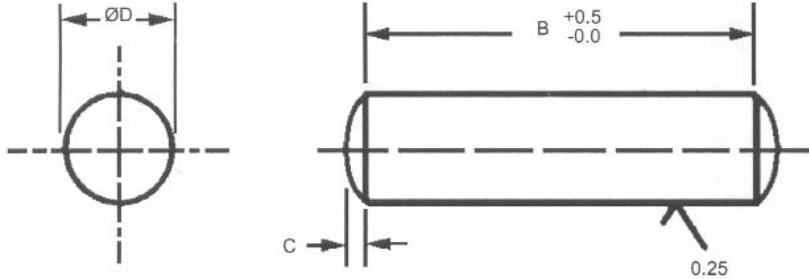


STOCK NO.	A	$\varnothing B$ MIN.	L	HOLE SIZE
CP1-31	0.8	2	10	1.2
CP1-32			13	
CP1-1			19	
CP1-34			25	
CP1-2	1.2	2	25	1.6
CP1-35	1.5	3	10	2.0
CP1-36			13	
CP1-37			19	
CP1-3			25	
CP1-9			38	
CP1-4	1.9	4	32	2.4
CP1-10	2.3	5	13	2.8
CP1-11			19	
CP1-12			25	
CP1-5			38	
CP1-14	3.0	6	13	3.6
CP1-15			19	
CP1-16			25	
CP1-17			38	
CP1-7			51	
CP1-19	3.8	6	19	4.4
CP1-20			25	
CP1-21			38	
CP1-22			51	
CP1-23	4.5	10	25	5.2
CP1-24			38	
CP1-25			51	
CP1-26			64	
CP1-27	5.7	13	38	6.8
CP1-28			51	
CP1-29			64	

SOLD IN PACKAGES OF 10.

PINS

TYPE	DIAMETER SIZE	MATERIALS
DOWEL SOFT PINS	1 TO 12	STAINLESS STEEL DIN 1.4305 ROCKWELL B75-95

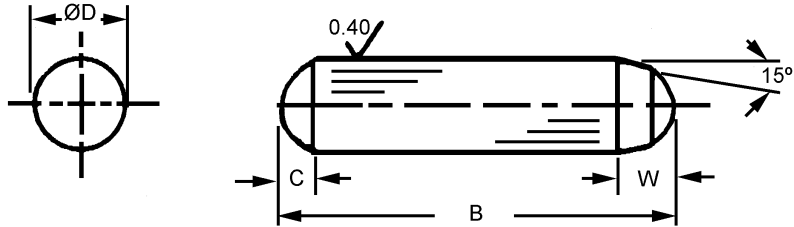


B	$\text{ØD}=1^{+0.009}_{+0.002}$	$\text{ØD}=1.5^{+0.009}_{+0.002}$	$\text{ØD}=2^{+0.009}_{+0.002}$	$\text{ØD}=2.5^{+0.009}_{+0.002}$
	C=0.15	C=0.23	C=0.30	C=0.40
	STOCK NO.	STOCK NO.	STOCK NO.	STOCK NO.
3	D10M-1	-	-	-
4	D10M-2	D15M-2	D20M-2	D25M-2
5	D10M-3	D15M-3	D20M-3	D25M-3
6	D10M-4	D15M-4	D20M-4	D25M-4
8	D10M-5	D15M-5	D20M-5	D25M-5
10	D10M-6	D15M-6	D20M-6	D25M-6
12	D10M-7	D15M-7	D20M-7	D25M-7
14	D10M-8	D15M-8	D20M-8	D25M-8
16	D10M-9	D15M-9	D20M-9	D25M-9
18	D10M-10	D15M-10	D20M-10	D25M-10
20	D10M-11	D15M-11	D20M-11	D25M-11
24	D10M-12	D15M-12	D20M-12	D25M-12
B	$\text{ØD}=3^{+0.012}_{+0.004}$	$\text{ØD}=4^{+0.012}_{+0.004}$	$\text{ØD}=5^{+0.012}_{+0.004}$	$\text{ØD}=6^{+0.015}_{+0.006}$
	C=0.45	C=0.63	C=0.75	C=0.90
	STOCK NO.	STOCK NO.	STOCK NO.	STOCK NO.
4	D30M-1	-	-	-
5	D30M-2	D40M-2	D50M-2	-
6	D30M-3	D40M-3	D50M-3	D60M-3
8	D30M-4	D40M-4	D50M-4	D60M-4
10	D30M-5	D40M-5	D50M-5	D60M-5
12	D30M-6	D40M-6	D50M-6	D60M-6
14	D30M-7	D40M-7	D50M-7	D60M-7
16	D30M-8	D40M-8	D50M-8	D60M-8
18	D30M-9	D40M-9	D50M-9	D60M-9
20	D30M-10	D40M-10	D50M-10	D60M-10
24	D30M-11	D40M-11	D50M-11	D60M-11
28	D30M-12	D40M-12	D50M-12	D60M-12
B	$\text{ØD}=8^{+0.015}_{+0.006}$	$\text{ØD}=10^{+0.015}_{+0.006}$	$\text{ØD}=12^{+0.018}_{+0.007}$	
	C=1.20	C=1.50	C=1.80	
	STOCK NO.	STOCK NO.	STOCK NO.	
12	D80M-1	-	-	
14	D80M-2	D100M-2	-	
16	D80M-3	D100M-3	-	
18	D80M-4	D100M-4	D120M-4	
20	D80M-5	D100M-5	D120M-5	
24	D80M-6	D100M-6	D120M-6	
28	D80M-7	D100M-7	D120M-7	
32	D80M-8	D100M-8	D120M-8	
36	-	D100M-9	D120M-9	
40	-	D100M-10	D120M-10	
50	-	-	D120M-11	

SOLD IN PACKAGES OF 10.

PINS

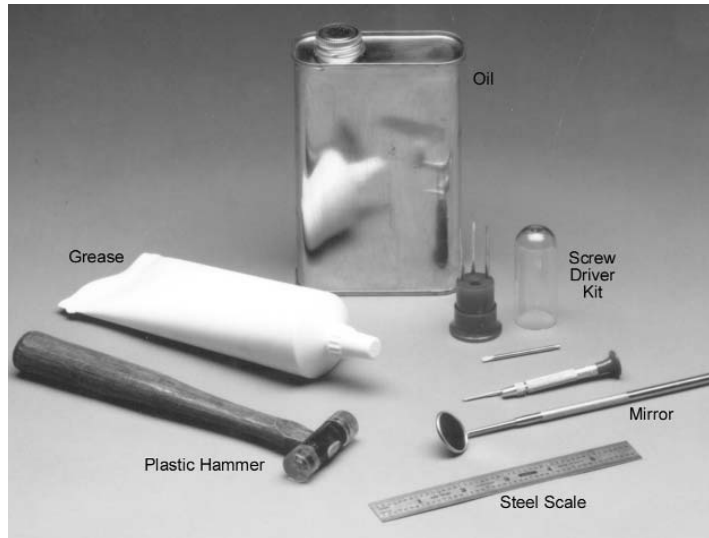
TYPE	DIAMETER SIZE	MATERIALS
HARDENED DOWEL	2 TO 10	STAINLESS STEEL DIN 1.4005 ROCKWELL B36-42



B	ØD = 2.009 - .007	ØD = 2.509 - .007	ØD = 3.012 - .007	ØD = 4.012 - .008
	W = 0.78 C = 0.30	W = 0.95 C = 0.40	W = 1.10 C = 0.45	W = 1.40 C = 0.60
	STOCK NO.	STOCK NO.	STOCK NO.	STOCK NO.
5	D40-1	D41-1	-	-
6	D40-2	D41-2	D42-2	-
8	D40-3	D41-3	D42-3	-
10	D40-4	D41-4	D42-4	D43-4
12	D40-5	D41-5	D42-5	D43-5
14	D40-6	D41-6	D42-6	D43-6
16	D40-7	D41-7	D42-7	D43-7
20	D40-8	D41-8	D42-8	D43-8
24	D40-9	D41-9	D42-9	D43-9
B	ØD = 5.012 - .008	ØD = 6.015 - .009	ØD = 8.015 - .009	ØD = 10.018 - .011
	W = 1.70 C = 0.75	W = 2.10 C = 0.90	W = 2.50 C = 1.20	W = 3.00 C = 1.50
	STOCK NO.	STOCK NO.	STOCK NO.	STOCK NO.
10	D44-4	-	-	-
12	D44-5	D45-5	-	-
16	D44-7	D45-7	D46-7	-
20	D44-8	D45-8	D46-8	D47-8
24	D44-9	D45-9	D46-9	D47-9
30	D44-10	D45-10	D46-10	D47-10
40	-	D45-11	D46-11	D47-11

SOLD IN PACKAGES OF 10.

MISCELLANEOUS ITEMS



STOCK NO.	ITEM	DESCRIPTION
TR-8 TR-34	GREASE	INSTRUMENT (-54°C TO +121°C) RECOMMENDED FOR GEAR MESHES & BALL BEARINGS. (-73°C TO +121°C) RECOMMENDED FOR GEAR MESHES & BALL BEARINGS
TR-9	OIL	(-54°C TO +121°C) RECOMMENDED FOR ALL PRECISION APPLICATIONS
TR-18	INSP	19mm DIAMETER MIRROR WITH HANDLE
TR-19	MIRROR	19mm DIAMETER MAGNIFYING MIRROR WITH HANDLE
TR-20	INSTR. SCREW DRIVERS	SET OF ASSTD. SMALL PRECISION INSTR. SCREW DRIVER IN A PLASTIC CASE WITH COVER
TR-21	PLASTIC HAMMER	HAMMER IS STYLED TO PREVENT MARKING FACES OF WORKING SURFACE
TR-22	STEEL SCALE	6" STAINLESS STEEL 1/32 & 1/64 GRAD'S WITH DECIMAL CHART (INCH SCALE ONLY)

F

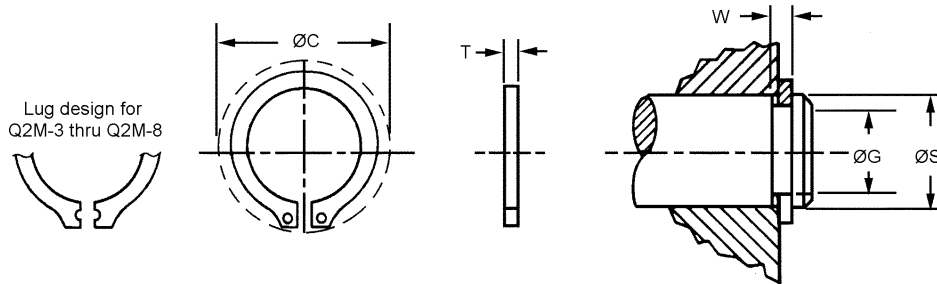
MISCELLANEOUS ITEMS



STOCK NO.	ITEM	DESCRIPTION
TR-35	HEX WRENCHES	PLASTIC CASE WITH 8 KEYS (1.3 TO 4.0)
TR-23	TWEEZERS	STAINLESS STEEL FOR INSTR. PARTS HANDLING
TR-36	LOUPE	2.5 IPOWER
TL-1	CABLE CUTTERS	CUTTER FOR UP TO Ø1.2 CABLE
TL-2	CABLE CUTTERS	CUTTER FOR UP TO Ø4.0 CABLE
CE-1	ADHESIVE	30cc BOTTLE USE WHEN METAL IS ONE OR BOTH OF THE BONDED PARTS
CE-3		30cc BOTTLE USE WHEN PLASTIC, RUBBER, CERAMIC OR GLASS IS TO BE BONDED
CE-24		3cc CONTAINER
CE-6	LIQUID PIN	50 cc BOTTLE
CE-7		250 cc BOTTLE
CE-28	SOLVENT	350cc CLEANER-SOLVENT SPRAY CAN
CE-10	LUBRICANT 12 OZ. CAN	SILICONE LUBRICANT & RELEASE AGENT NON TOXIC, NON FLAMMABLE & FOOD GRADE
CE-12	LUBRICANT 12 OZ. CAN	DRY LUBRICANT & ANTI STICK AGENT SLICK ACTION, CONTAINS NO OIL, NO GREASE, & NO SILICONE
CE-14	LUBRICANT 16 OZ. CAN	RUST INHIBITING LUBRICANT & PENETRANT ACTION LUBE, DISPLACES WATER, CLEANS AND PROTECTS
CE-16		INSTANT CLEANER & DEGREASER FOR CONTACTS, SWITCHES ETC. MAYBE APPLIED TO EQUIPMENT WHILE IN OPERATION

RETAINER RINGS

TYPE	MATERIALS
EXTERNAL LUG DESIGN	SPRING STEEL



Lug design for Q2M-3 thru Q2M-8



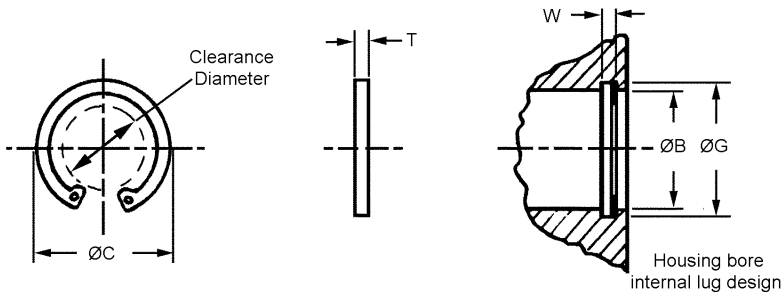
Retainer Ring Pliers. Order separately.

STOCK NO.	ØG GROOVE DIA.	ØS SHAFT SIZE	GROOVE WIDTH W (H13)	T	ØC CLEARANCE DIAMETER	PLIERS STOCK NO.
Q2M-3	2.80 - 0.04	3.00	0.50	0.40	7.0	S11-12P
Q2M-4	3.80 - 0.04	4.00	0.50	0.40	8.6	S11-12P
Q2M-5	4.80 - 0.04	5.00	0.70	0.60	10.3	S11-18P
Q2M-6	5.70 - 0.04	6.00	0.80	0.70	11.7	S11-18P
Q2M-8	7.60 - 0.06	8.00	0.90	0.80	14.7	S11-25P
Q2M-10	9.60 - 0.11	10.00	1.10	1.00	17.0	S11-25P
Q2M-12	11.50 - 0.11	12.00	1.10	1.00	18.0	S11-25P



SOLD IN PACKAGES OF 10.

TYPE	MATERIALS
INTERNAL LUG DESIGN	SPRING STEEL



Retainer Ring Pliers. Order separately.

STOCK NO.	HOUSING BORE ØB	GROOVE DIA. ØG	RING THICKNESS T	PLIERS STOCK NO.	MAX. (ØC) CLEARANCE DIAMETER	GROOVE WIDTH W (MIN.)
Q4M-9	9.00	9.40 + 0.11	0.8	S13-37P	3.7	0.90
Q4M-10	10.00	10.40 + 0.11	1.0	S13-37P	3.3	1.10
Q4M-11	11.00	11.40 + 0.11	1.0	S13-37P	4.1	1.10
Q4M-13	13.00	13.60 + 0.11	1.0	S13-37P	5.4	1.10
Q4M-15	15.00	15.70 + 0.11	1.0	S13-37P	7.2	1.10
Q4M-16	16.00	16.80 + 0.11	1.0	S13-37P	8.0	1.10
Q4M-19	19.00	20.00 + 0.15	1.0	S13-37P	10.4	1.10
Q4M-22	22.00	23.00 + 0.15	1.0	S13-37P	13.2	1.10
Q4M-26	26.00	27.20 + 0.21	1.2	S13-37P	16.7	1.30

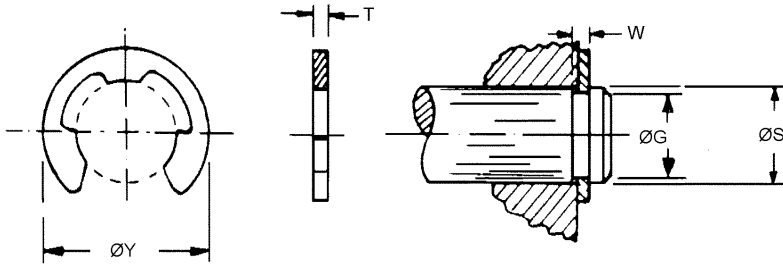
SOLD IN PACKAGES OF 10.



F

RETAINER RINGS

TYPE	MATERIALS
EXTERNAL SNAP ON DESIGN	SPRING STEEL



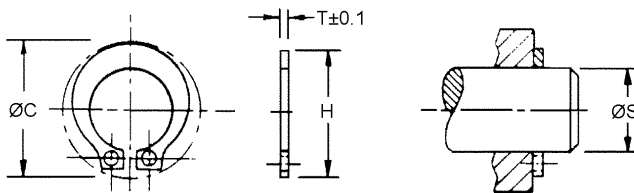
Retainer Ring Pliers. Order separately.

STOCK NO.	SHAFT SIZE $\varnothing S$	GROOVE $\varnothing G$ (h11)	GROOVE WIDTH W (MIN)	T RING THICKNESS MAX.	O.D. RING Y MAX.	APPLICATOR TOOL NO.
Q1M-2	2	1.2	0.34	0.32	3.3	S10-6T
Q1M-3	3	1.9	0.54	0.52	4.8	S10-9T
Q1M-4	4	2.3	0.64	0.62	6.3	S10-12T
Q1M-5	5	3.2	0.64	0.62	7.3	S10-18T
Q1M-6	6	4.0	0.74	0.72	9.3	S10-18T
Q1M-8	8	5.0	0.74	0.72	11.3	S10-25T
Q1M-10	10	7.0	0.94	0.92	14.3	S10-31T
Q1M-11	11	8.0	1.05	1.03	16.3	S10-50T
Q1M-12	12	8.0	1.05	1.03	16.3	S10-50T
Q1M-16	16	12.0	1.35	1.33	23.4	S10-62T
Q1M-19	19	15.0	1.55	1.53	29.4	S10-75T



Sold in packages of 10.

TYPE	MATERIALS
EXTERNAL POWER GRIP DESIGN	SPRING STEEL



Retainer Ring Pliers. Order separately.

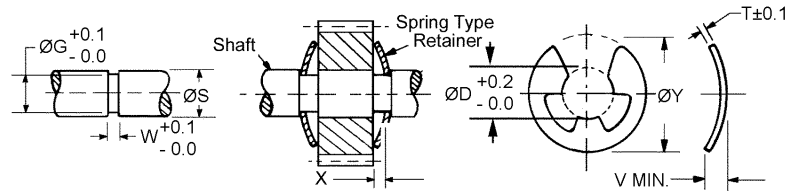
STOCK NO.	SHAFT SIZE $\varnothing S$	T RING THICKNESS	CLEARANCE $\varnothing C$	ASSEMBLY PLIER STOCK NO.
Q7M-2	2	0.6	6.4	S14-12P
Q7M-3	3	0.6	7.4	S14-12P
Q7M-4	4	0.6	9.1	S14-12P
Q7M-5	5	0.8	11.2	S14-25P
Q7M-6	6	1.0	12.7	S14-25P
Q7M-8	8	1.1	17.0	S14-37P
Q7M-10	10	1.2	19.3	S14-37P
Q7M-11	11	1.3	20.3	S14-87P
Q7M-14	14	1.5	25.1	S14-37P
Q7M-19	19	1.6	33.0	S14-37P

Sold in packages of 10.



RETAINER RINGS

TYPE	MATERIALS
EXTERNAL BOWED SNAP ON DESIGN	SPRING STEEL



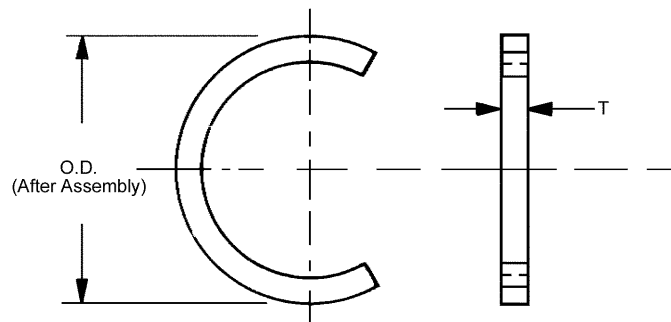
STOCK NO.	ØS SHAFT SIZE	FLAT ØY	T	V	X MAX. TAKE UP	FREE I.D. ØD	W	ØG
Q3M-3	3	5.8	0.3	0.6	0.3	2.3	0.6	2.4
Q3M-4	4	7.2	0.4	0.8	0.3	2.8	0.7	2.9
Q3M-8	8	12.7	0.6	1.3	0.6	6.1	1.2	6.3
Q3M-11	11	17.4	0.9	1.5	0.6	8.5	1.5	8.7
Q3M-16	16	23.9	1.1	2.0	0.9	12.1	2.0	12.3
Q3M-19	19	25.4	1.3	2.2	0.9	15.5	2.2	15.9
Q3M-25	25	38.1	1.3	2.2	0.9	20.8	2.2	21.2



Applicator tools are available on request.
Sold in packages of 10.

TYPE	MATERIALS
EXTERNAL DESIGN	CARBON STEEL PLATED

F



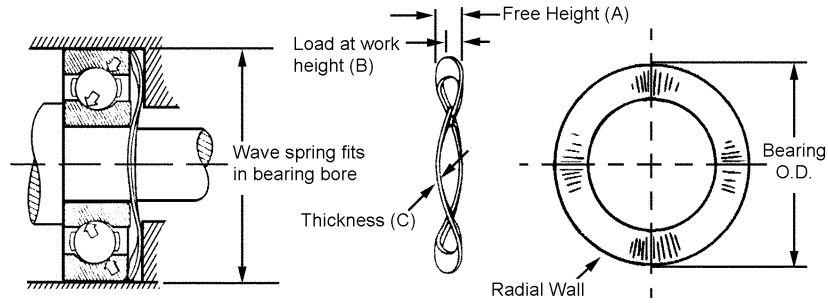
STOCK NO.	SHAFT SIZE	FREE O.D. (MAX.)	T	GROOVE DIMENSIONS	
				WIDTH (MIN.)	DIAMETER (MIN.)
Q5M-4	4	3.7	0.5	0.6	3.7
Q5M-8	8	7.4	0.8	0.9	7.5
Q5M-13	13	12.0	1.2	1.3	12.1
Q5M-16	16	15.0	1.4	1.6	15.2
Q5M-19	19	18.1	1.6	1.8	18.2
Q5M-23	23	21.8	1.2	1.3	22.0
Q5M-24	24	22.7	1.8	2.0	23.2
Q5M-32	32	130.2	1.5	1.6	30.5
Q5M-40	40	137.7	1.6	1.8	38.0
Q5M-45	45	142.7	1.6	1.8	43.0



Sold in packages of 10.

BEARING PRE-LOAD SPRINGS

TYPE	MATERIALS
FOR OUTER RACE BALL BEARIN PRE-LOAD	STAINLESS STEEL DIN 1.4300



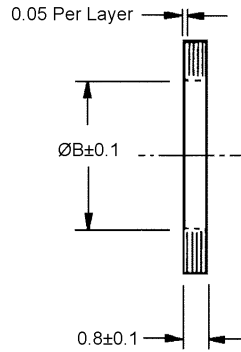
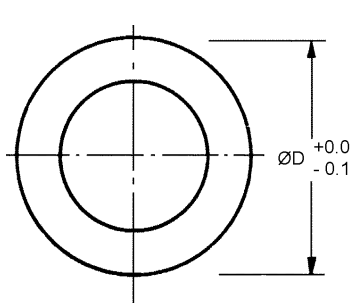
STOCK NO.	BEARING O.D. (Ref.)	A	B	C	FORCE TO DEFLECT TO B	RADIAL WALL
SVM-1	16	2.3	1.6	0.25	45N	1.98
SVM-2	19	3.0		0.25	50N	
SVM-3	22	2.8	1.6	0.30	60N	2.39
SVM-4	24	3.6		0.30	70N	

Sold in packages of 10.



SPACERS

TYPE	SHAFT SIZE	MATERIALS
INNER RACE SHIM	3 TO 10	BRASS



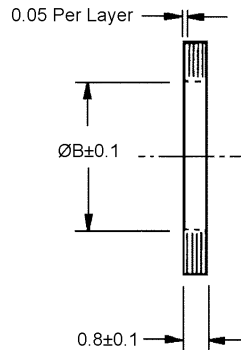
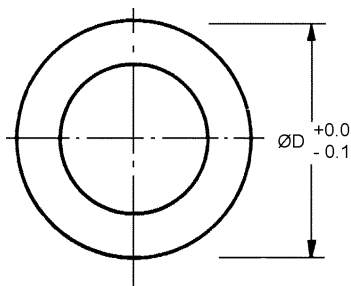
STOCK NO.	SHAFT SIZE	ØD	ØB
SS8-1M	3	5.9	3.2
SS8-2M	5	9.5	5.2
SS8-3M	6	12.7	6.2
SS8-4M	10	15.9	10.2

Sold in packages of 10.

The inner race spacer fits on shaft and pre-loads inner race of ball bearing.



TYPE	SHAFT SIZE	MATERIALS
OUTER RACE SHIM	8.0 TO 11.0	BRASS



STOCK NO.	D	B
SS7-1M	10.0	7.9
SS7-2M	13.0	9.5
SS7-3M	16.0	11.1

Sold in packages of 10.

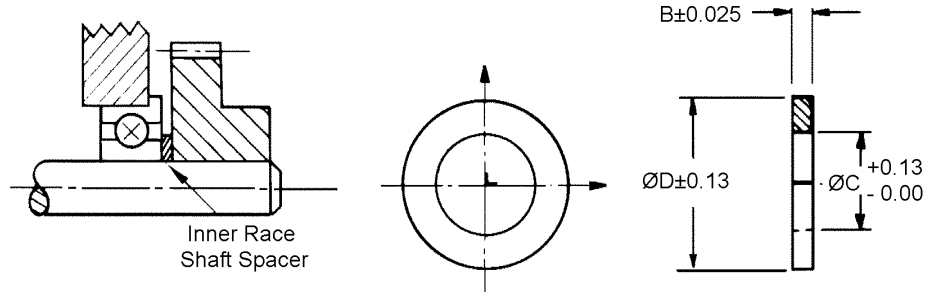
The outer race spacer fits in housing and pre-loads outer race of ball bearing.



F

SHAFT SPACERS

TYPE	SHAFT SIZE	MATERIALS
INNER RACE	3.00 TO 10.00	STAINLESS STEEL DIN 1.4310



STOCK NO.	SHAFT SIZE OR BEARING I.D.	ØC	ØD	B
SS1-117 SS1-118	3.00	3.05	3.73	0.10 0.15
SS1-101 SS1-102 SS1-103 SS1-104	4.00	4.05	5.30	0.10 0.15 0.25 0.40
SS1-121 SS1-122 SS1-123 SS1-124	5.00	5.05	5.93	0.10 0.15 0.25 0.40
SS1-105 SS1-106 SS1-107 SS1-108	6.00	6.05	7.90	0.10 0.15 0.25 0.40
SS1-109 SS1-110 SS1-111 SS1-112	8.00	8.05	10.20	0.10 0.15 0.25 0.40
SS1-113 SS1-114 SS1-115 SS1-116	10.00	10.05	12.30	0.10 0.15 0.25 0.40



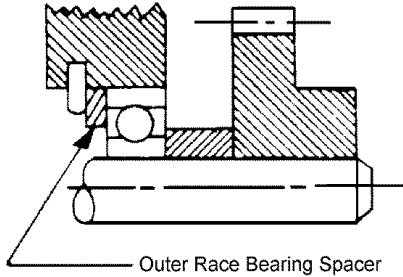
Sold in packages of 10.

Also available

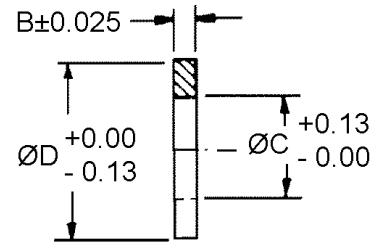
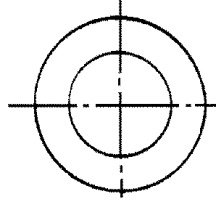
STOCK NUMBER	DESCRIPTION
KIT-SS1M	STAINLESS STEEL SHAFT SPACERS, INNER RACE, 3mm THRU 10mm SHAFT SIZE (300 PIECES)

BEARING SPACERS

TYPE	SHAFT SIZE	MATERIALS
OUTER RACE	7.00 TO 19.00	STAINLESS STEEL DIN 1.4300



Outer Race Bearing Spacer

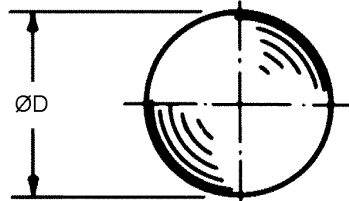


STOCK NO.	BEARING OUTSIDE DIA. (ØD)	ØC	B
SS3-113 SS3-114	7.00	6.25	0.15 0.25
SS3-115 SS3-116	8.00	6.75	0.15 0.25
SS3-101 SS3-102 SS3-103	9.00	7.85	0.15 0.25 0.40
SS3-117 SS3-118	10.00	8.25	0.15 0.25
SS3-119 SS3-120	11.00	10.00	0.15 0.25
SS3-104 SS3-105 SS3-106	13.00	11.15	0.15 0.25 0.40
SS3-121 SS3-122	15.00	13.00	0.15 0.25
SS3-107 SS3-108 SS3-109	16.00	13.85	0.15 0.25 0.40
SS3-110 SS3-111 SS3-112	19.00	16.65	0.15 0.25 0.40

F

BALLS

TYPE	DIAMETER	MATERIALS
HARDENED STEEL	2 TO 11	STAINLESS STEEL DIN 1.4112 OR CHROME STEEL DIN 1.3505

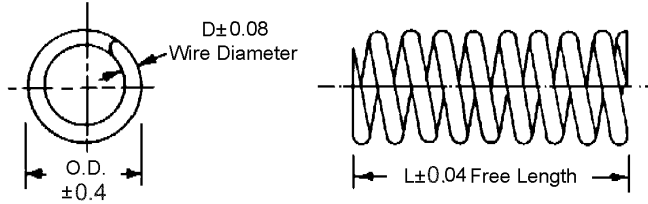


Sold in packages of 10.

$\varnothing D$	STAINLESS STEEL DIN 1.4112	CHROME STEEL DIN 1.3505
	$\pm.0012$	$\pm.0006$
	HARDNESS C55-60	HARDNESS C62-66
	STOCK NUMBER	STOCK NUMBER
2	PT4M-2	PT5M-2
3	PT4M-3	PT5M-3
4	PT4M-4	PT5M-4
5	PT4M-5	PT5M-5
6	PT4M-6	PT5M-6
7	PT4M-7	PT5M-7
8	PT4M-8	PT5M-8
9	PT4M-9	PT5M-9
10	PT4M-10	PT5M-10
11	PT4M-11	PT5M-11

SPRINGS

TYPE	STYLE	MATERIALS
COMPRESSION	RIGHT HAND - OPEN WOUND ENDS SQUARED	STAINLESS STEEL DIN 1.4305



STOCK NO.	ØO.D.	ØD	L	COILS	K ±10%	
SPR1-1	1.45	0.18	9.5	18	276.5	
SPR9-1		0.20	6.3	13	771.7	
SPR9-2		0.20	12.7	24	364.0	
SPR9-3	2.24	0.25	6.3	9	728.0	
SPR1-2		0.25	12.7	17	334.3	
SPR9-5		0.30	9.5	14	946.7	
SPR9-6		0.30	19.0	24	465.5	
SPR9-7	3.05	0.41	6.3	7	2549.7	
SPR9-8		0.41	12.7	13	1209.2	
SPR9-9		0.46	9.5	10	2609.2	
SPR1-3		0.46	15.9	16	1543.5	
SPR9-10		0.46	19.0	19	1239.0	
SPR9-11		0.51	9.5	11	4037.2	
SPR9-12		0.51	19.0	20	1923.2	
SPR9-13		0.56	12.7	14	4532.5	
SPR9-14		0.56	25.4	27	2142.0	
SPR9-15		4.57	0.46	12.7	8	976.5
SPR9-16			0.46	25.4	14	465.5
SPR9-17			0.51	12.7	8	1414.0
SPR9-18			0.51	25.7	15	670.2
SPR1-4			0.56	12.7	8	2068.5
SPR9-20	0.56		25.4	16	946.7	
SPR9-21	0.61		12.7	9	2754.5	
SPR9-22	0.56		25.4	17	1610.7	
SPR9-23	0.66		12.7	9	3906.7	
SPR9-24	0.66		25.4	17	1778.0	
SPR9-25	0.74		19.0	14	3760.7	
SPR9-26	0.74		38.1	26	1806.0	
SPR9-27	0.81		19.0	14	6020.0	
SPR9-28	0.81		38.1	27	2740.5	
SPR9-29	6.10	0.66	12.7	6	3045.0	
SPR1-5		0.66	15.9	8	1849.7	
SPR9-30		0.66	25.4	12	1078.0	
SPR9-31		0.89	12.7	8	7070.0	
SPR9-32		0.89	25.4	14	3263.7	
SPR9-33		0.97	19.0	10	6720.0	
SPR9-34		0.97	38.1	20	3118.5	
SPR9-35		1.02	25.4	14	5684.0	
SPR9-36		1.02	50.8	27	2724.7	
SPR1-6	7.62	0.81	15.9	6	903.0	
SPR1-7	9.14	1.07	22.2	8	3717.0	
SPR1-8	10.67	1.14	25.4	7	2915.5	
SPR1-9	12.19	1.40	31.7	8	3935.7	
SPR1-10	15.24	1.60	38.1	8	3498.2	
SPR1-11	18.29	1.83	50.8	9	2915.5	

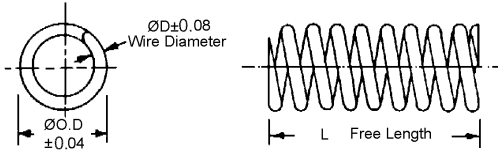
K = Average Spring Rate N/m.

Specials on request.

Sold in packages of 10.

SPRINGS

TYPE	LENGTHS	MATERIALS
COMPRESSION	38 TO 63	STAINLESS STEEL DIN 1.4305



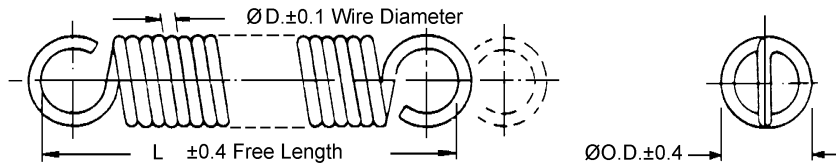
STOCK NO.	ØO.D.	ØD	L	APPROX. NO. COILS
SPR7-1	2.36	0.41	38.1	32
SPR7-2	3.18	0.46	50.8	37
SPR7-7	3.56	0.41	25.4	17
SPR7-8	4.37	0.46	31.7	19
SPR7-3	4.75	0.58	63.5	37
SPR7-4	6.35	0.64	76.2	29
SPR7-9	6.35	0.58	38.1	22
SPR7-10	8.33	0.64	44.4	19
SPR7-11	9.91	0.81	50.8	16
SPR7-12	11.89	1.02	57.1	12
SPR7-13	15.47	1.19	63.5	15

- Cut your own length
- Ends can be ground or looped

Special springs available on request (send drawing).

Sold in packages of 10.

TYPE	LENGTHS	MATERIALS
EXTENSION - FULL TWIST LOOPS CLOSE WOUND	6 TO 127	SPRING TEMPERED STAINLESS STEEL



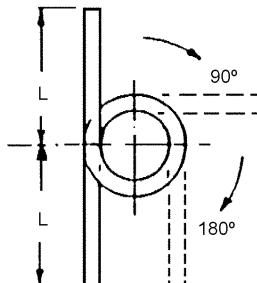
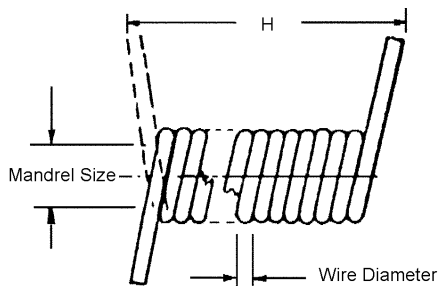
K = Spring rate in N/m

Sold in packages of 10.

STOCK NO.	ØO.D.	ØD	L	K ±10%
SPR10-1	1.6	0.2	6.4	297
SPR2-1		0.2	9.5	157
SPR10-2		0.2	12.7	105
SPR10-3	2.4	0.3	9.5	175
SPR2-2		0.3	12.7	297
SPR10-4		0.3	19.1	52
SPR2-3	3.1	0.5	25.4	472
SPR10-5	3.1	0.4	19.1	437
SPR10-6		0.4	31.8	192
SPR10-7		0.5	19.1	1207
SPR10-8		0.5	31.8	647
SPR2-4	4.6	0.7	31.8	735
SPR10-9	4.6	0.6	19.1	630
SPR10-10		0.6	31.8	297
SPR10-11		0.7	19.1	1540
SPR10-13		0.8	19.1	3953
SPR10-14		0.8	31.8	1907
SPR2-5		6.1	0.8	31.8
SPR10-15	6.1	0.7	19.1	822
SPR10-16		0.7	31.8	297
SPR10-17		0.7	19.1	1435
SPR10-18		0.7	31.8	560
SPR10-19		0.8	19.1	2012
SPR10-20		0.8	31.8	770
SPR10-21		0.9	19.1	3220
SPR10-22		0.9	31.8	1295
SPR2-6	9.1	1.4	50.8	2660
SPR10-27	9.1	0.8	25.4	472
SPR10-28		0.8	31.8	210
SPR10-29		0.9	25.4	1155
SPR10-30		0.9	38.1	490
SPR10-31		1.1	31.8	1977
SPR10-32		1.1	50.8	910
SPR10-33	1.4	31.8	5635	
SPR10-35	12.7	0.9	31.8	402
SPR10-36		0.9	50.8	140
SPR2-7		1.4	63.5	735
SPR2-8	16.5	1.4	76.2	280
SPR2-9	19.1	1.6	101.6	245
SPR2-10	21.6	1.9	38.1	367
SPR2-11	25.4	1.9	127.0	210

SPRINGS

TYPE	LENGTHS	MATERIALS
TORSION LEFT HAND WOUND	12 TO 50	STAINLESS STEEL



STOCK NUMBER	WIRE DIA.	OUTSIDE DIA.	L	MANDREL SIZE (MAX.)	H	TORQUE N*cm @ 180°
SPR3-1	0.3	4.2	12.7	2.8	1.5	0.5
SPR3-2	0.4	4.7	19.1	2.8	1.9	1.1
SPR3-3	0.5	5.5	19.1	3.6	2.8	1.6
SPR3-4	0.5	6.3	25.4	4.0	3.2	2.5
SPR3-5	0.6	7.7	25.4	5.2	3.8	4.2
SPR3-6	0.8	10.0	25.4	6.3	4.6	7.1
SPR3-7	0.9	11.4	31.8	7.1	3.1	11.3
SPR3-8	1.0	13.2	50.8	8.7	6.2	15.5
SPR3-9	1.2	15.6	50.8	10.3	7.4	28.3

Special springs on request, send sketch.

Right hand wound on request.

Sold in packages of 10.

