

PLEASE READ THIS CAREFULLY

EXPLANATION OF AMATOM PART NUMBERS

15121	—	BG	—	187	—	1B
Style & Size of Handle		Color of Grip where applicable		Standard Mounting Hole size		Code for Finish (i.e. 1B-Clear Anodize)

NOTES:

- (a) Styles #1 and 2 have grip as integral part of handle, in this case, grip will be same color (finish) as handle. See Handle Finish Code below.
- (b) Styles #3, 4 and 5 handles can be supplied with No Finish, Clear or Black Anodize with a Black Grip, Gray Grip or No Grip. See charts page 4.
- (c) Mounting hole of .187 is standard size for #8 screw. Handle can be ordered with hole for #10 screw on a special order basis by changing .187 in part number to .194.

HANDLE FINISH CODE

- 0 No Finish
- 1B Clear Anodize
- 2 Black Anodize

GRIP COLOR CODE (where applicable)

- BG Black
- GG Gray
- NG No Grip

HANDLE MATERIAL SPECIFICATION

Aluminum Extruded per 6005-T5

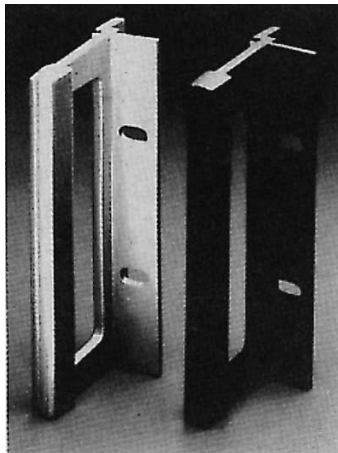
GRIP MATERIAL SPECIFICATION

PVC (Plastic Extrusion) 75 ± 5 Durometer Shore A with additive for Ultra-Violet Protection — Matte finish.

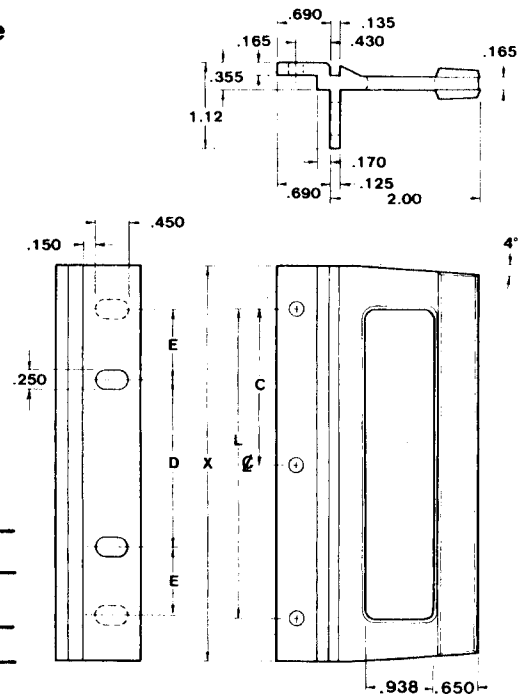
MACHINING TOLERANCES

- 2 place dec. xx ±.01
- Fractions ±1/64
- Angles ±1°

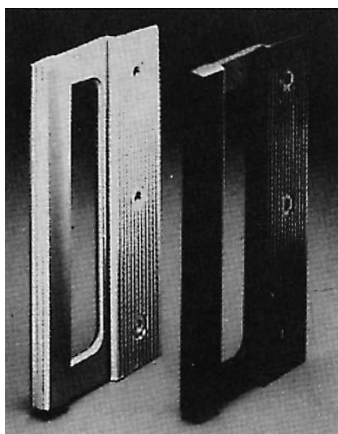
All specifications subject to change without notice.



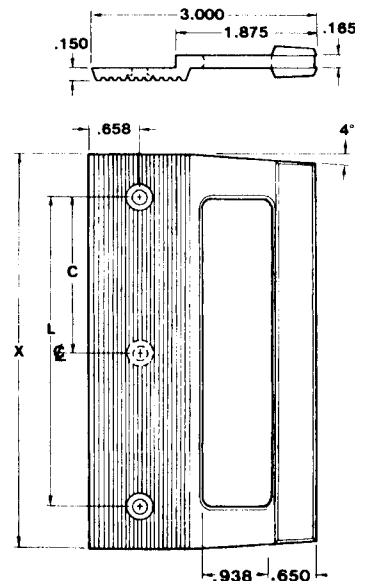
Style 1 - Rack Mount Handle



Amatom Part Number	Style	X-dim. Inches	Case Mounting Holes			Rack Mounting Holes		
			No. Holes	L-dim. Inches	C-dim. Inches	No. Holes	D-dim. Inches	E-dim. Inches
15101-187	1	3.46	2	2.52	—	2	3.00	—
15102-187	1	5.21	3	4.12	2.06	2	2.25	—
15103-187	1	5.96	3	4.61	2.30	2	4.00	—
15104-187	1	6.96	3	5.16	2.58	2	4.00	—
15105-187	1	7.96	3	5.82	2.91	4	2.25	1.75

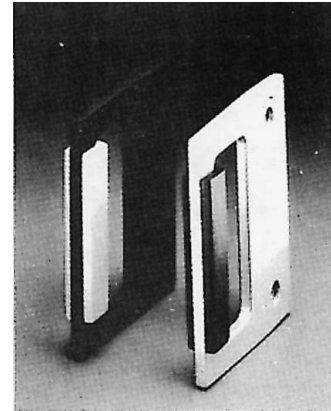
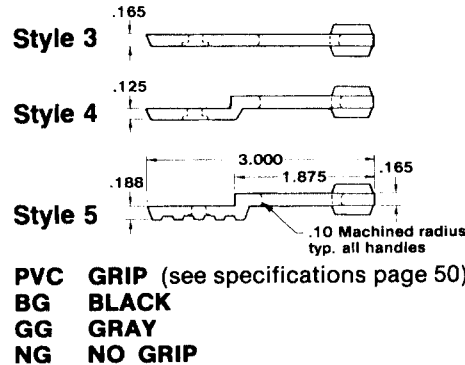
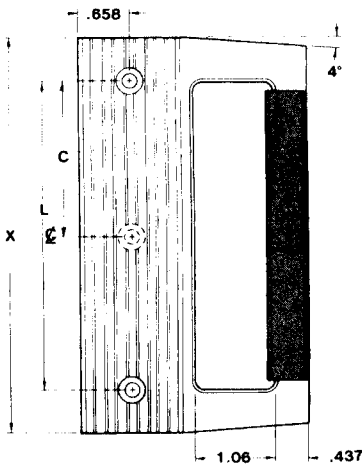


Style 2 - Extruded Grip Handle



Amatom Part Number	Style	No. Case Mig. Holes	X-dim. Inches	L-dim. Inches	C-dim. Inches
15111-187	2	2	3.46	2.52	—
15112-187	2	3	5.21	4.12	2.06
15113-187	2	3	5.96	4.61	2.30
15114-187	2	3	6.96	5.16	2.58
15115-187	2	3	7.96	5.82	2.91

5 Pasco Hill Road • Cromwell, CT 06416-1093
 Phone: 860-828-0847 • Call Toll Free: 800-243-6032 • Fax: 860-828-0381
 Web Address: <http://www.amatom.com> • E-Mail: sales@amatom.com



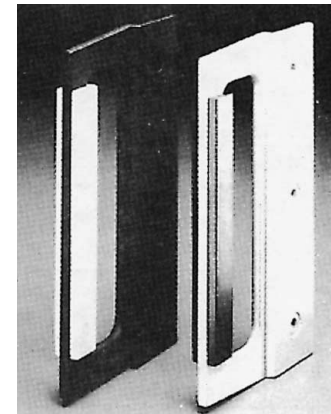
Style 3

Style 3 - Straight Handle

Style No.	No. Case Mtg. Holes	X-dim. Inches	L-dim. Inches	C-dim. Inches	Amatom Part No. Black Grip	Amatom Part No. Gray Grip	Amatom Part No. No Grip
3	2	3.46	2.52	—	15121-BG-187	15121-GG-187	15121-NG-187
3	3	5.21	4.12	2.06	15122-BG-187	15122-GG-187	15122-NG-187
3	3	5.96	4.61	2.30	15123-BG-187	15123-GG-187	15123-NG-187
3	3	6.96	5.16	2.58	15124-BG-187	15124-GG-187	15124-NG-187
3	3	7.96	5.82	2.91	15125-BG-187	15125-GG-187	15125-NG-187

Style 4 - Plain Handle

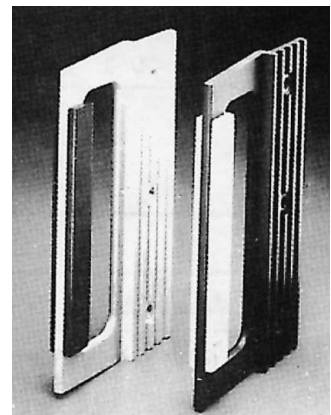
Style No.	No. Case Mtg. Holes	X-dim. inches	L-dim. inches	C-dim. inches	Amatom Part No. Black Grip	Amatom Part No. Gray Grip	Amatom Part No. No Grip
4	2	3.46	2.52	—	15131-BG-187	15131-GG-187	15131-NG-187
4	3	5.21	4.12	2.06	15132-BG-187	15132-GG-187	15132-NG-187
4	3	5.96	4.61	2.30	15133-BG-187	15133-GG-187	15133-NG-187
4	3	6.96	5.16	2.58	15134-BG-187	15134-GG-187	15134-NG-187
4	3	7.96	5.82	2.91	15135-BG-187	15135-GG-187	15135-NG-187



Style 4

Style 5 - Ribbed Handle

Style No.	No. Case Mtg. Holes	X-dim. inches	L-dim. inches	C-dim. inches	Amatom Part No. Black Grip	Amatom Part No. Gray Grip	Amatom Part No. No Grip
5	2	3.46	2.52	—	15141-BG-187	15141-GG-187	15141-NG-187
5	3	5.21	4.12	2.06	15142-BG-187	15142-GG-187	15142-NG-187
5	3	5.96	4.61	2.30	15143-BG-187	15143-GG-187	15143-NG-187
5	3	6.96	5.16	2.58	15144-BG-187	15144-GG-187	15144-NG-187
5	3	7.96	5.82	2.91	15145-BG-187	15145-GG-187	15145-NG-187



Style 5

5 Pasco Hill Road • Cromwell, CT 06416-1093
 Phone: 860-828-0847 • Call Toll Free: 800-243-6032 • Fax: 860-828-0381
 Web Address: <http://www.amatom.com> • E-Mail: sales@amatom.com