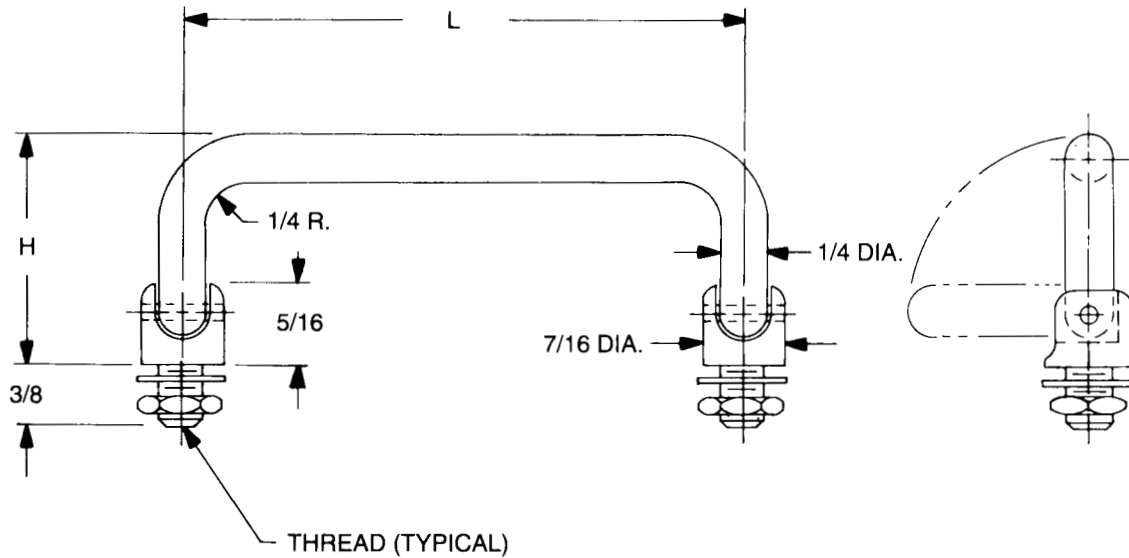


1/4" ROUND HANDLES EXTERNAL THREADS - 90° FREE FALL



Refer to page 102 for Finish Codes.
Nuts and washers supplied. (Bulk Package)

PART NO.	L ± 1/64	H ± 1/32
11705	3"	
11706	3-1/2	
11707	4"	
11708	4-1/4	1.460
11709	4-1/2	
11710	5"	
11711	6"	

**PART NUMBER
ORDERING SYSTEM**

XXXXX - X - XXXX - XX

PART NO.	THREAD	
MATERIAL		FINISH

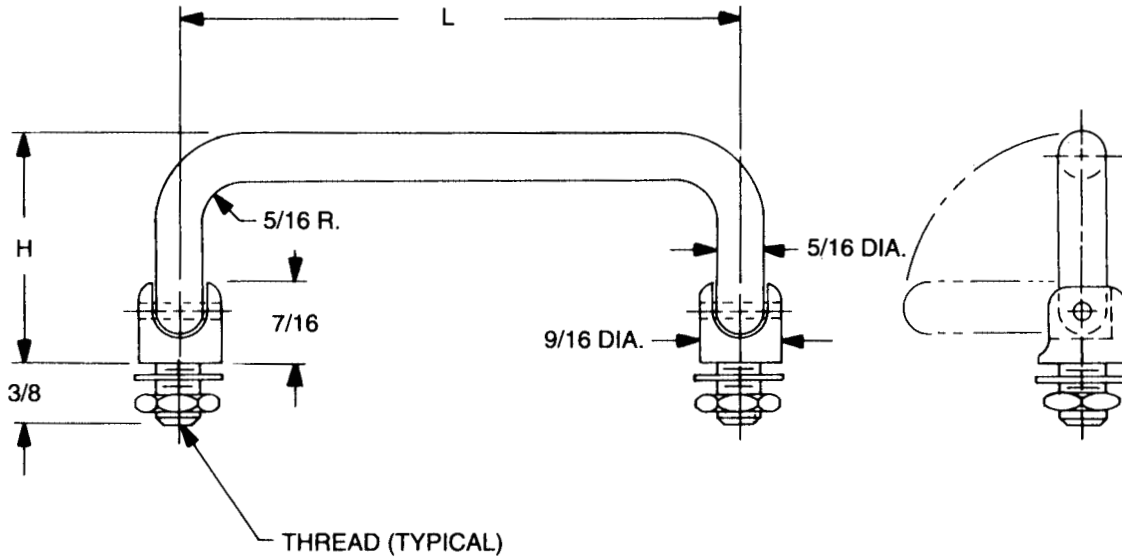
THREAD CODE	
THREAD	CODE
1/4-28	2528
5/16-24	3124

MATERIAL	CODE
Aluminum	A
Brass	B
Stainless Steel	SS
Steel	S

NOTE:
Metric size dimensions and threads available.
Please contact Sales Office.

5 Pasco Hill Road • Cromwell, CT 06416-1093
Phone: 860-828-0847 • Call Toll Free: 800-243-6032 • Fax: 860-828-0381
Web Address: <http://www.amatom.com> • E-Mail: sales@amatom.com

5/16" ROUND HANDLES EXTERNAL THREADS - 90° FREE FALL



Refer to page 102 for Finish Codes.
Nuts and washers supplied. (Bulk Package)

PART NO.	L ± 1/64	H ± 1/32
11830	3"	1.531
11831	3-1/2"	
11832	4"	
11833	4-1/4"	
11834	4-1/2"	
11835	5"	
11836	6"	1.810
11840	3"	
11841	3-1/2"	
11842	4"	
11843	4-1/4"	
11844	4-1/2"	
11845	5"	
11846	6"	

PART NUMBER ORDERING SYSTEM

XXXXX - X - XXXX - XX

PART NO. THREAD

MATERIAL FINISH

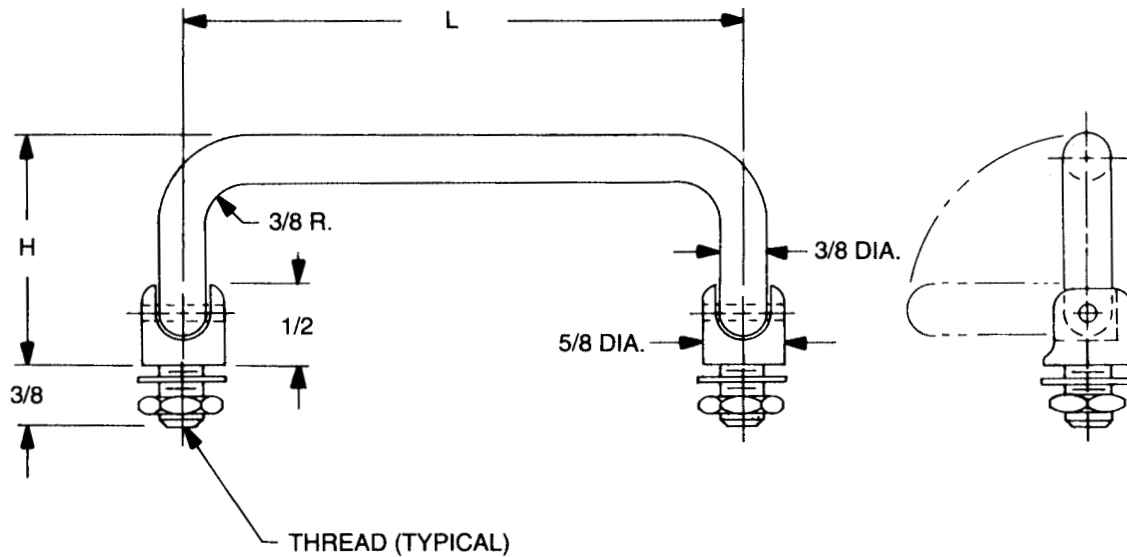
THREAD CODE	
THREAD	CODE
5/16-24	3124
3/8-24	3724

MATERIAL	CODE
Aluminum	A
Brass	B
Stainless Steel	SS
Steel	S

NOTE:
Metric size dimensions and threads available.
Please contact Sales Office.

5 Pasco Hill Road • Cromwell, CT 06416-1093
Phone: 860-828-0847 • Call Toll Free: 800-243-6032 • Fax: 860-828-0381
Web Address: <http://www.amatom.com> • E-Mail: sales@amatom.com

3/8" ROUND HANDLES EXTERNAL THREADS - 90° FREE FALL



Refer to page 102 for Finish Codes.
Nuts and washers supplied. (Bulk Package)

PART NO.	L ± 1/64	H ± 1/32
11865	3"	1.531
11866	3-1/2"	
11867	4"	
11868	4-1/4"	
11869	4-1/2"	
11870	5"	
11871	6"	
11875	3"	1.850
11876	3-1/2"	
11877	4"	
11878	4-1/4"	
11879	4-1/2"	
11880	5"	
11881	6"	

**PART NUMBER
ORDERING SYSTEM**

XXXXX - X - XXXX - XX

PART NO.	THREAD	FINISH
MATERIAL		FINISH

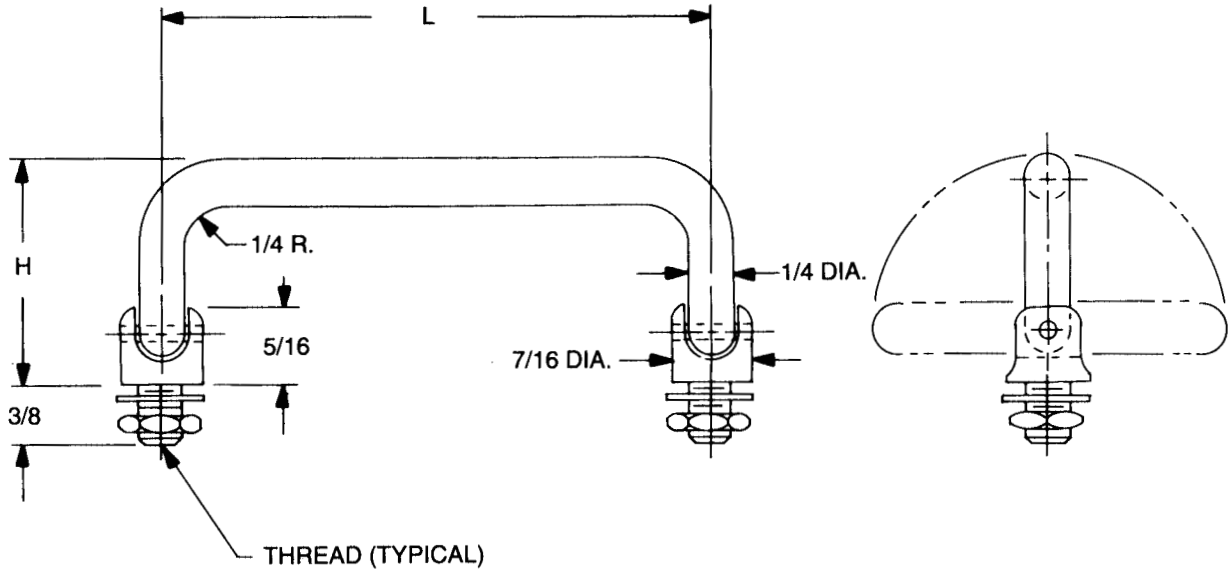
THREAD CODE	
THREAD	CODE
5/16-24	3124
3/8-24	3724

MATERIAL	CODE
Aluminum	A
Brass	B
Stainless Steel	SS
Steel	S

NOTE:
Metric size dimensions and threads available.
Please contact Sales Office.

5 Pasco Hill Road • Cromwell, CT 06416-1093
Phone: 860-828-0847 • Call Toll Free: 800-243-6032 • Fax: 860-828-0381
Web Address: <http://www.amatom.com> • E-Mail: sales@amatom.com

1/4" ROUND HANDLES EXTERNAL THREADS - 180° FREE FALL



Refer to page 102 for Finish Codes.
Nuts and washers supplied. (Bulk Package)

PART NO.	L ± 1/64	H ± 1/32
11925	3"	
11926	3-1/2"	
11927	4"	
11928	4-1/4"	1.460
11929	4-1/2"	
11930	5"	
11931	6"	

PART NUMBER ORDERING SYSTEM

XXXXX - X - XXXX - XX

PART NO. THREAD MATERIAL FINISH

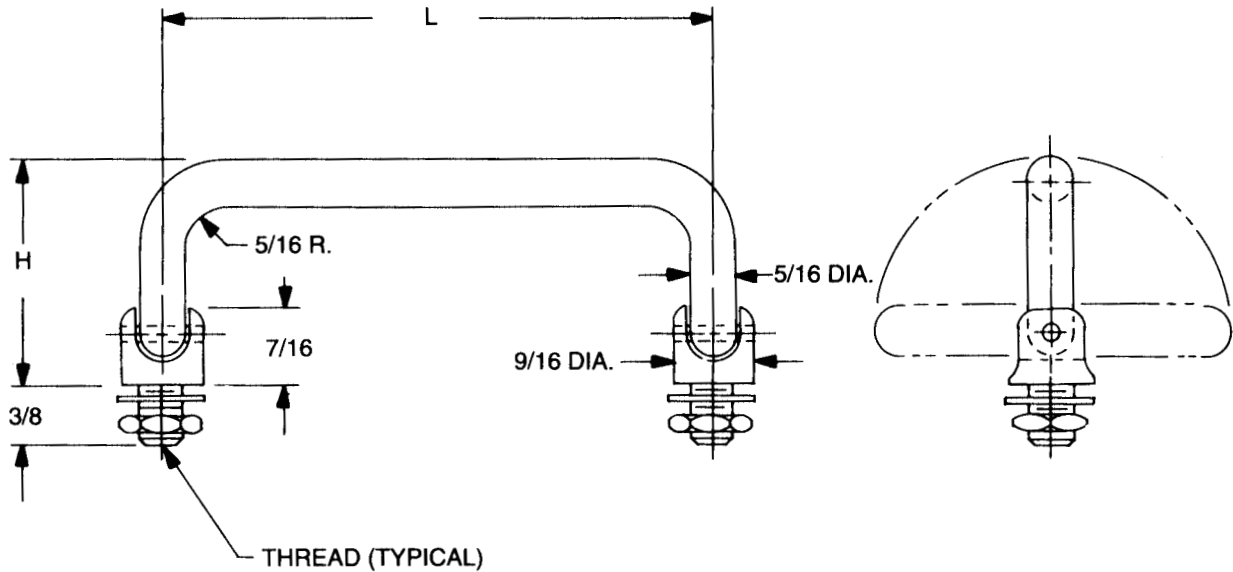
THREAD CODE	
THREAD	CODE
1/4-28	2528
5/16-24	3124

MATERIAL	CODE
Aluminum	A
Brass	B
Stainless Steel	SS
Steel	S

NOTE:
Metric size dimensions and threads available.
Please contact Sales Office.

5 Pasco Hill Road • Cromwell, CT 06416-1093
Phone: 860-828-0847 • Call Toll Free: 800-243-6032 • Fax: 860-828-0381
Web Address: <http://www.amatom.com> • E-Mail: sales@amatom.com

5/16" ROUND HANDLES EXTERNAL THREADS - 180° FREE FALL



Refer to page 102 for Finish Codes.
Nuts and washers supplied. (Bulk Package)

PART NO.	L ± 1/64	H ± 1/32
11885	3"	1.531
11886	3-1/2"	
11887	4"	
11888	4-1/4"	
11889	4-1/2"	
11890	5"	
11891	6"	1.850
11895	3"	
11896	3-1/2"	
11897	4"	
11898	4-1/4"	
11899	4-1/2"	
11900	5"	
11901	6"	

PART NUMBER ORDERING SYSTEM

XXXXX - X - XXXX - XX

PART NO. | THREAD | MATERIAL | FINISH

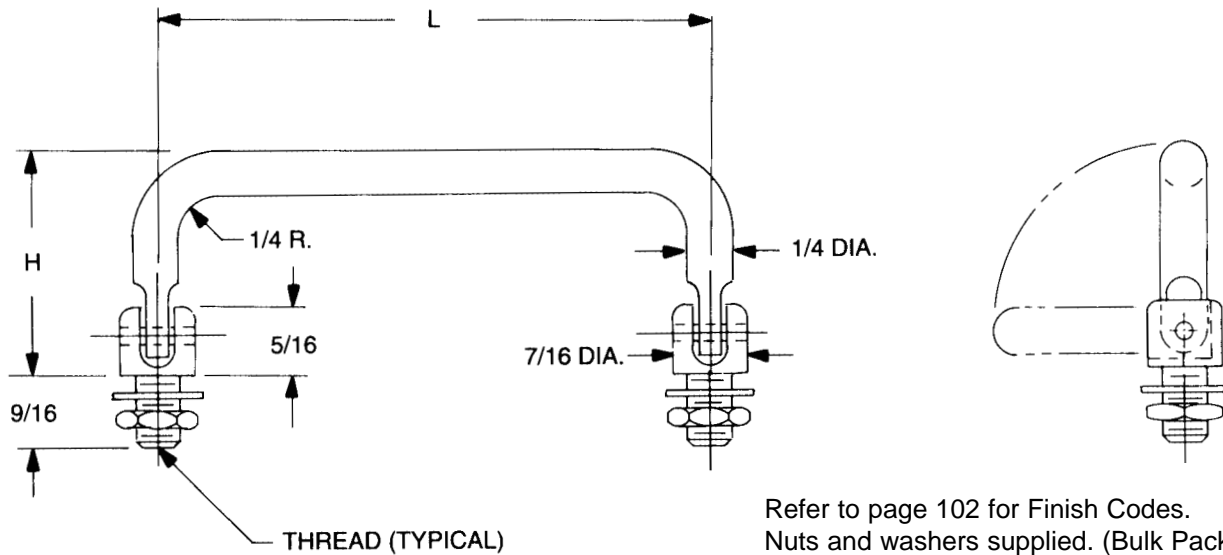
THREAD CODE	
THREAD	CODE
5/16-24	3124
3/8-24	3724

MATERIAL	CODE
Aluminum	A
Brass	B
Stainless Steel	SS
Steel	S

NOTE:
Metric size dimensions and threads available.
Please contact Sales Office.

5 Pasco Hill Road • Cromwell, CT 06416-1093
Phone: 860-828-0847 • Call Toll Free: 800-243-6032 • Fax: 860-828-0381
Web Address: <http://www.amatom.com> • E-Mail: sales@amatom.com

1/4" ROUND HANDLES EXTERNAL THREADS 90° INFINITE POSITION



PART NO.	L ± 1/64	H ± 1/32
11940	3"	
11941	3-1/2"	
11942	4"	
11943	4-1/2"	
11944	5"	1.460
11945	6"	
11946	7"	
11947	8"	
11948	9"	

PART NUMBER ORDERING SYSTEM

XXXXX - X - XXXX - XX

PART NO. | THREAD | MATERIAL | FINISH

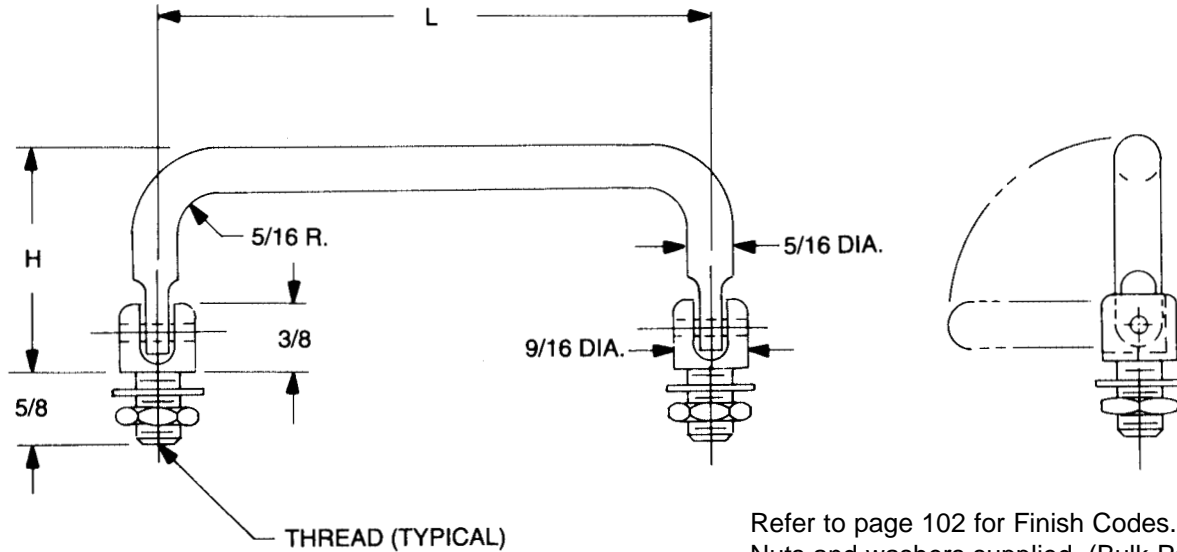
THREAD CODE	
THREAD	CODE
1/4-28	2528
5/16-24	3124

MATERIAL	CODE
Aluminum	A
Brass	B
Stainless Steel	SS
Steel	S

NOTE:
Metric size dimensions and threads available.
Please contact Sales Office.

5 Pasco Hill Road • Cromwell, CT 06416-1093
Phone: 860-828-0847 • Call Toll Free: 800-243-6032 • Fax: 860-828-0381
Web Address: <http://www.amatom.com> • E-Mail: sales@amatom.com

5/16" ROUND HANDLES EXTERNAL THREADS 90° INFINITE POSITION



Refer to page 102 for Finish Codes.
Nuts and washers supplied. (Bulk Package)

PART NO.	L ± 1/64	H ± 1/32
11950	3"	
11951	3-1/2	
11952	4"	
11953	4-1/2	
11954	5"	1.620
11955	6"	
11956	7"	
11957	8"	
11958	9"	

PART NUMBER ORDERING SYSTEM

XXXXX - X - XXXX - XX

|
 PART NO. | THREAD |
 |
 MATERIAL | FINISH

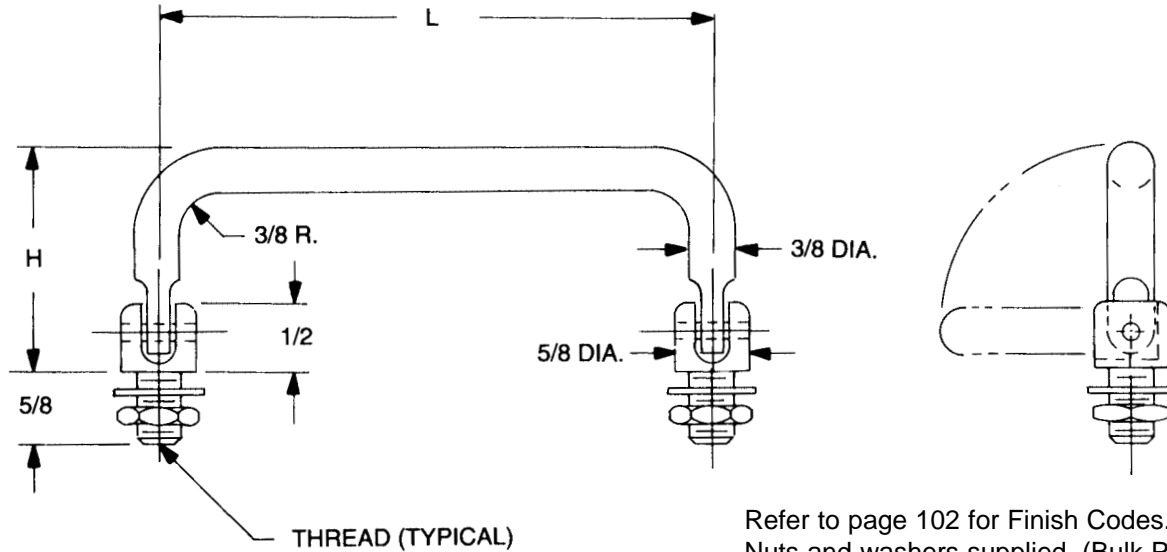
THREAD CODE	
THREAD	CODE
5/16-24	3124
3/8-24	3724

MATERIAL	CODE
Aluminum	A
Brass	B
Stainless Steel	SS
Steel	S

NOTE:
Metric size dimensions and threads available.
Please contact Sales Office.

5 Pasco Hill Road • Cromwell, CT 06416-1093
 Phone: 860-828-0847 • Call Toll Free: 800-243-6032 • Fax: 860-828-0381
 Web Address: <http://www.amatom.com> • E-Mail: sales@amatom.com

3/8" ROUND HANDLES EXTERNAL THREADS 90° INFINITE POSITION



Refer to page 102 for Finish Codes.
Nuts and washers supplied. (Bulk Package)

PART NO.	L ± 1/64	H ± 1/32
11960	3"	1.810
11961	3-1/2"	
11962	4"	
11963	4-1/2"	
11964	5"	
11965	6"	
11966	7"	
11967	8"	
11968	9"	

PART NUMBER ORDERING SYSTEM

XXXXX - X - XXXX - XX

PART NO.	THREAD	FINISH
MATERIAL		FINISH

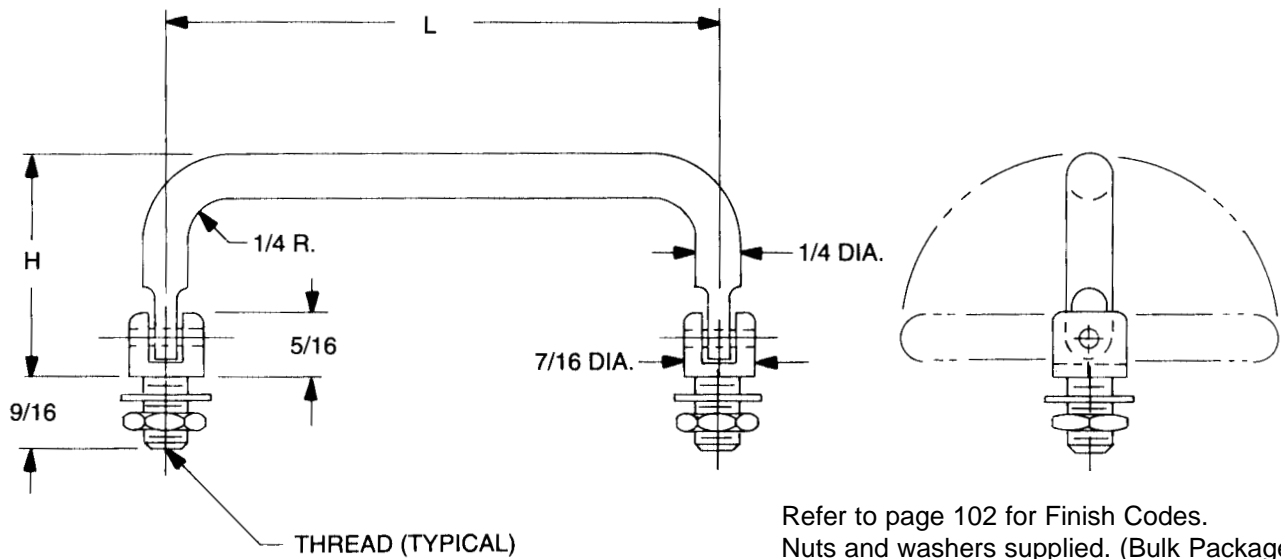
THREAD CODE	
THREAD	CODE
5/16-24	3124
3/8-24	3724

MATERIAL	CODE
Aluminum	A
Brass	B
Stainless Steel	SS
Steel	S

NOTE:
Metric size dimensions and threads available.
Please contact Sales Office.

5 Pasco Hill Road • Cromwell, CT 06416-1093
Phone: 860-828-0847 • Call Toll Free: 800-243-6032 • Fax: 860-828-0381
Web Address: <http://www.amatom.com> • E-Mail: sales@amatom.com

1/4" ROUND HANDLES EXTERNAL THREADS 180° INFINITE POSITION



PART NO.	L ± 1/64	H ± 1/32
11970	3"	1.460
11971	3-1/2"	
11972	4"	
11973	4-1/2"	
11974	5"	
11975	6"	
11976	7"	
11977	8"	
11978	9"	

PART NUMBER ORDERING SYSTEM

XXXXX - X - XXXX - XX

PART NO. | THREAD | MATERIAL | FINISH

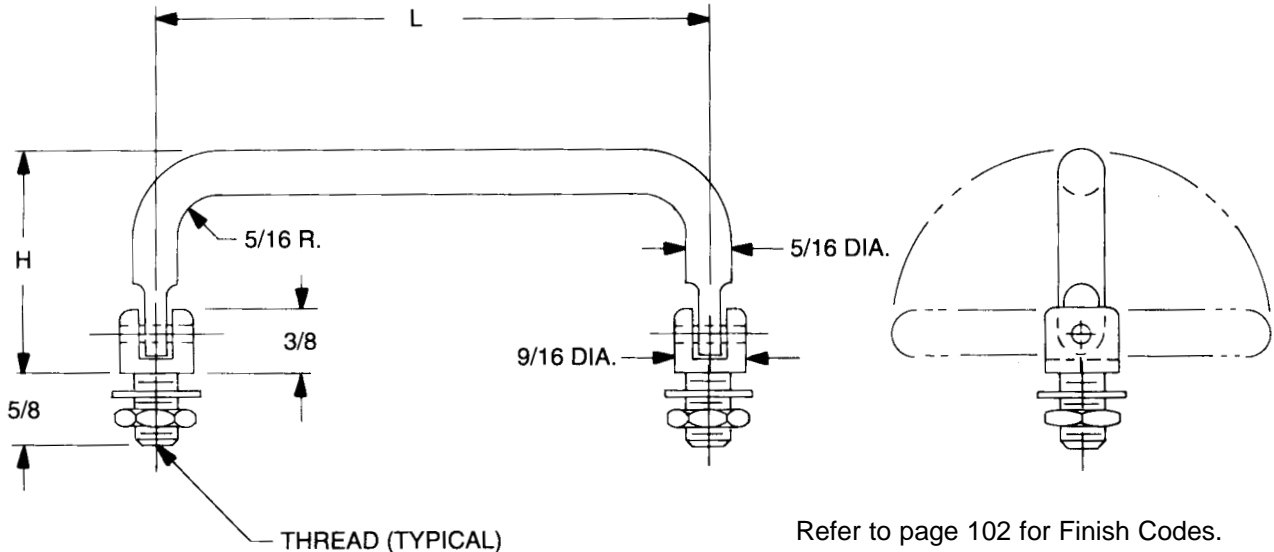
THREAD CODE	
THREAD	CODE
1/4-28	2528
5/16-24	3124

MATERIAL	CODE
Aluminum	A
Brass	B
Stainless Steel	SS
Steel	S

NOTE:
Metric size dimensions and threads available.
Please contact Sales Office.

5 Pasco Hill Road • Cromwell, CT 06416-1093
Phone: 860-828-0847 • Call Toll Free: 800-243-6032 • Fax: 860-828-0381
Web Address: <http://www.amatom.com> • E-Mail: sales@amatom.com

5/16" ROUND HANDLES EXTERNAL THREADS 180° INFINITE POSITION



Refer to page 102 for Finish Codes.
Nuts and washers supplied. (Bulk Package)

PART NO.	L ± 1/64	H ± 1/32
11980	3"	1.620
11981	3-1/2"	
11982	4"	
11983	4-1/2"	
11984	5"	
11985	6"	
11986	7"	
11987	8"	
11988	9"	

PART NUMBER ORDERING SYSTEM

XXXXX - X - XXXX - XX

PART NO. | THREAD | MATERIAL | FINISH

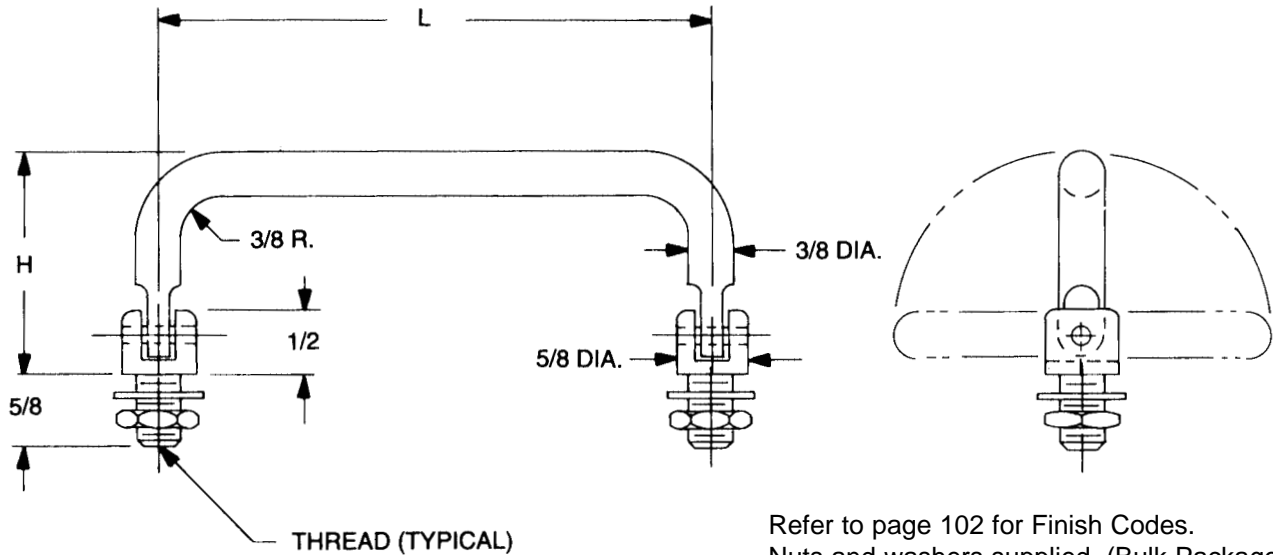
THREAD CODE	
THREAD	CODE
5/16-24	3124
3/8-24	3724

MATERIAL	CODE
Aluminum	A
Brass	B
Stainless Steel	SS
Steel	S

NOTE:
Metric size dimensions and threads available.
Please contact Sales Office.

5 Pasco Hill Road • Cromwell, CT 06416-1093
Phone: 860-828-0847 • Call Toll Free: 800-243-6032 • Fax: 860-828-0381
Web Address: <http://www.amatom.com> • E-Mail: sales@amatom.com

3/8" ROUND HANDLES EXTERNAL THREADS 180° INFINITE POSITION



Refer to page 102 for Finish Codes.
Nuts and washers supplied. (Bulk Package)

PART NO.	L ± 1/64	H ± 1/32
11990	3"	
11991	3-1/2"	
11992	4"	
11993	4-1/2"	1.810
11994	5"	
11995	6"	
11996	7"	
11997	8"	
11998	9"	

PART NUMBER ORDERING SYSTEM

XXXXX - X - XXXX - XX

PART NO. | THREAD | MATERIAL | FINISH

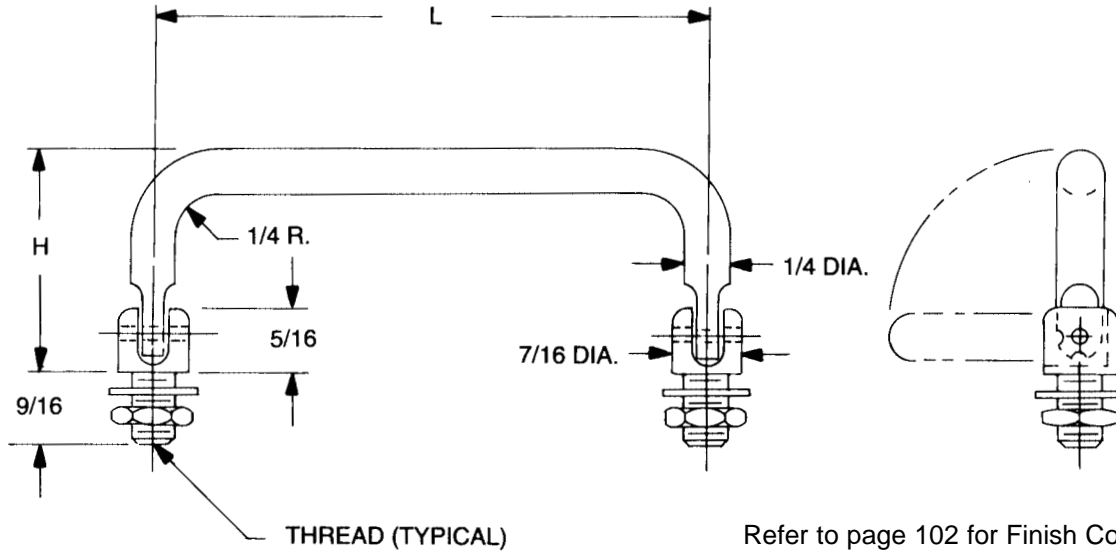
THREAD CODE	
THREAD	CODE
5/16-24	3124
3/8-24	3724

MATERIAL	CODE
Aluminum	A
Brass	B
Stainless Steel	SS
Steel	S

NOTE:
Metric size dimensions and threads available.
Please contact Sales Office.

5 Pasco Hill Road • Cromwell, CT 06416-1093
Phone: 860-828-0847 • Call Toll Free: 800-243-6032 • Fax: 860-828-0381
Web Address: <http://www.amatom.com> • E-Mail: sales@amatom.com

1/4" ROUND HANDLES EXTERNAL THREADS 90° 2 POSITION



Refer to page 102 for Finish Codes.
Nuts and washers supplied. (Bulk Package)

PART NO.	L ± 1/64	H ± 1/32
12050	4"	1.430
12051	4-1/4"	
12052	4-1/2"	
12053	5"	
12054	6"	
12055	7"	
12056	8"	
12057	9"	
11725	3"	1.460
11726	3-1/2"	
11727	4"	
11728	4-1/4"	
11729	4-1/2"	
11730	5"	
11731	6"	

PART NUMBER ORDERING SYSTEM

XXXXX - X - XXXX - XX

PART NO. | THREAD | MATERIAL | FINISH

THREAD CODE

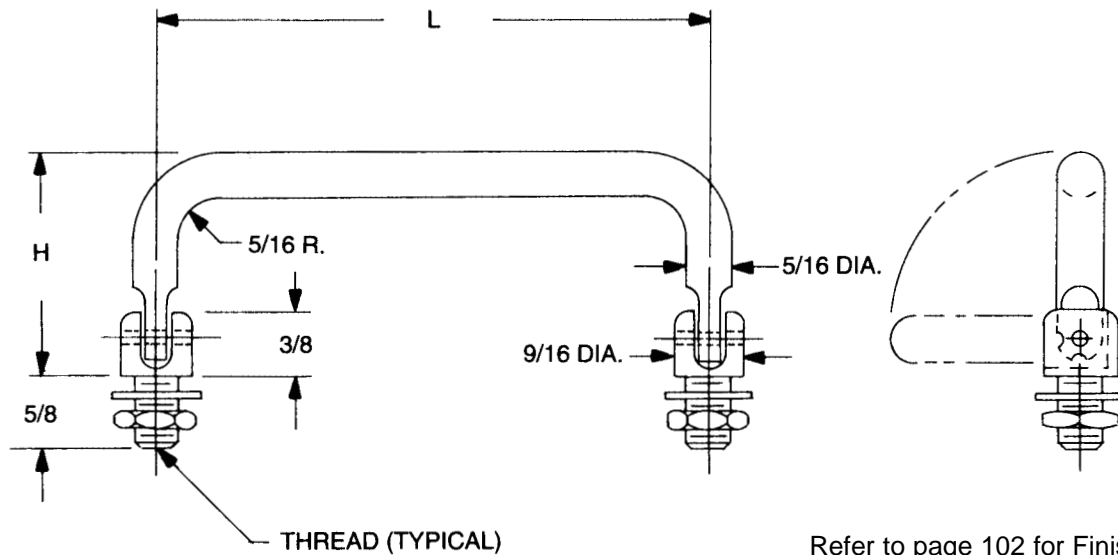
THREAD	CODE
1/4-28	2528
5/16-24	3124

MATERIAL	CODE
Aluminum	A
Brass	B
Stainless Steel	SS
Steel	S

NOTE:
Metric size dimensions and threads available.
Please contact Sales Office.

5 Pasco Hill Road • Cromwell, CT 06416-1093
Phone: 860-828-0847 • Call Toll Free: 800-243-6032 • Fax: 860-828-0381
Web Address: <http://www.amatom.com> • E-Mail: sales@amatom.com

5/16" ROUND HANDLES EXTERNAL THREADS 90° 2 POSITION



Refer to page 102 for Finish Codes.
Nuts and washers supplied. (Bulk Package)

PART NUMBER ORDERING SYSTEM

XXXXX - X - XXXX - XX

PART NO.	MATERIAL	THREAD	FINISH

PART NO.	L ± 1/64	H ± 1/32
11735	3"	
11736	3-1/2"	
11737	4"	
11738	4-1/4"	1.530
11739	4-1/2"	
11740	5"	
11741	6"	
11745	3"	
11746	3-1/2"	
11747	4"	1.810
11748	4-1/4"	
11749	4-1/2"	
11750	5"	
11751	6"	

PART NO.	L ± 1/64	H ± 1/32
12070	4"	
12071	4-1/4"	
12072	4-1/2"	
12073	5"	1.843
12074	6"	
12075	7"	
12076	8"	
12077	9"	

THREAD CODE

THREAD	CODE
5/16-24	3124
3/8-24	3724

MATERIAL	CODE
Aluminum	A
Brass	B
Stainless Steel	SS
Steel	S

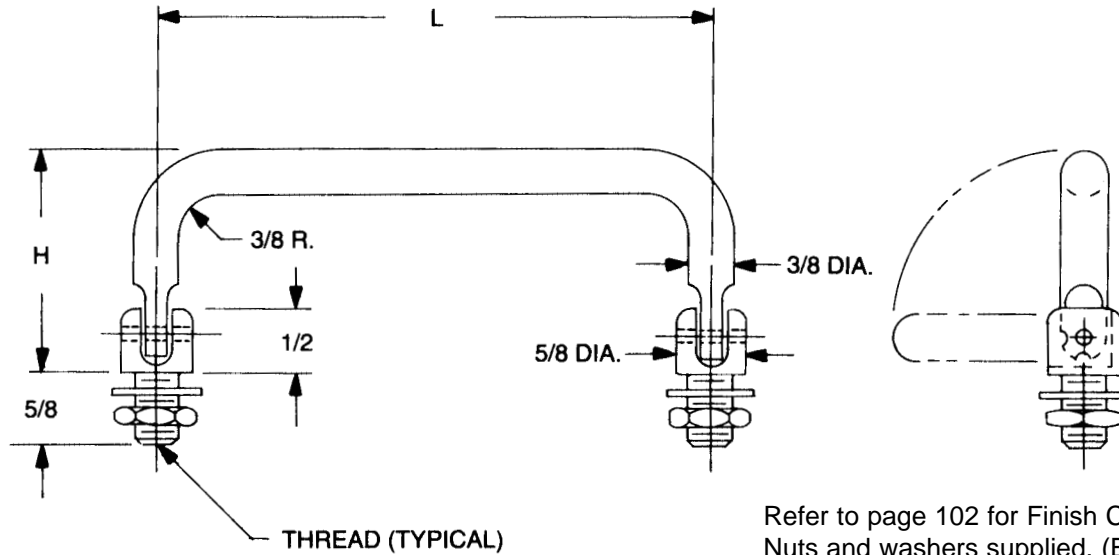
NOTE:

Metric size dimensions and threads available.

Please contact Sales Office.

5 Pasco Hill Road • Cromwell, CT 06416-1093
 Phone: 860-828-0847 • Call Toll Free: 800-243-6032 • Fax: 860-828-0381
 Web Address: <http://www.amatom.com> • E-Mail: sales@amatom.com

3/8" ROUND HANDLES EXTERNAL THREADS 90° 2 POSITION



Refer to page 102 for Finish Codes.
Nuts and washers supplied. (Bulk Package)

PART NO.	L ± 1/64	H ± 1/32
11755	3"	1.530
11756	3-1/2"	
11757	4"	
11758	4-1/4"	
11759	4-1/2"	
11760	5"	
11761	6"	
12080	4"	1.625
12081	4-1/4"	
12082	4-1/2"	
12083	5"	
12084	6"	
12085	7"	
12086	8"	
12087	9"	
12090	4"	1.810
12091	4-1/4"	
12092	4-1/2"	
12093	5"	
12094	6"	
12095	7"	
12096	8"	
12097	9"	

PART NO.	L ± 1/64	H ± 1/32
12100	4"	1.843
12101	4-1/4"	
12102	4-1/2"	
12103	5"	
12104	6"	
12105	7"	
12106	8"	
12107	9"	
11765	3"	1.850
11766	3-1/2"	
11767	4"	
11768	4-1/4"	
11769	4-1/2"	
11770	5"	
11771	6"	
12110	4"	2.375
12111	4-1/4"	
12112	4-1/2"	
12113	5"	
12114	6"	
12115	7"	
12116	8"	
12117	9"	

PART NUMBER ORDERING SYSTEM

XXXXX - X - XXXX - XX

| | |
 PART NO. THREAD MATERIAL FINISH

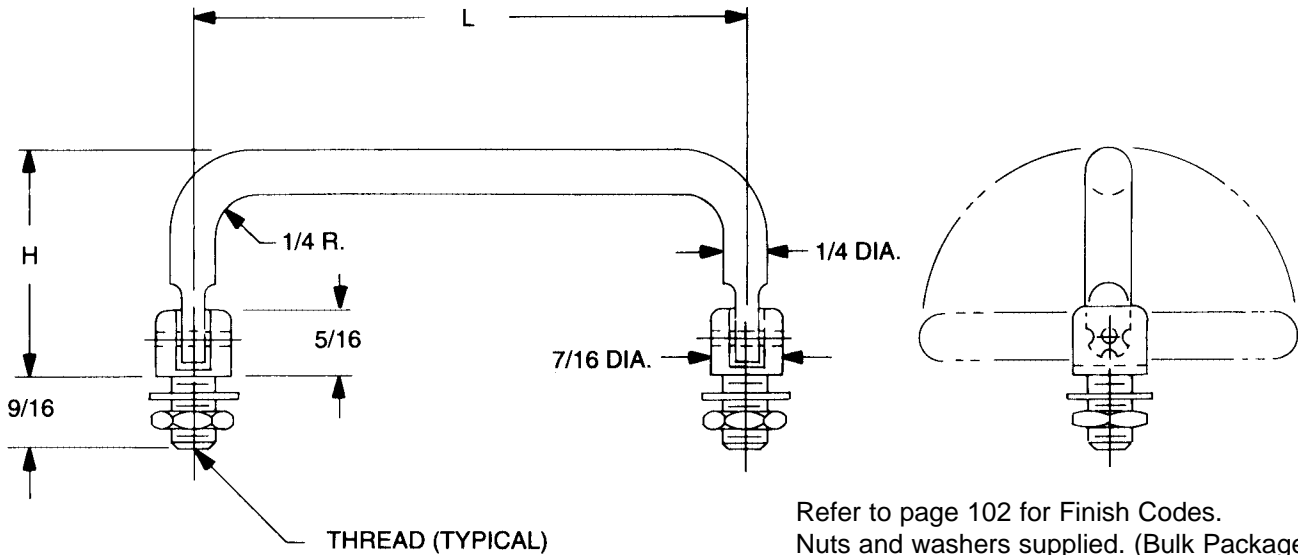
THREAD CODE	
THREAD	CODE
5/16-24	3124
3/8-24	3724

MATERIAL	CODE
Aluminum	A
Brass	B
Stainless Steel	SS
Steel	S

NOTE:
Metric size dimensions and threads available.
Please contact Sales Office.

5 Pasco Hill Road • Cromwell, CT 06416-1093
 Phone: 860-828-0847 • Call Toll Free: 800-243-6032 • Fax: 860-828-0381
 Web Address: <http://www.amatom.com> • E-Mail: sales@amatom.com

1/4" ROUND HANDLES EXTERNAL THREADS 180° 3 POSITION



PART NO.	L ± 1/64	H ± 1/32
12145	4"	1.430
12146	4-1/4"	
12147	4-1/2"	
12148	5"	
12149	6"	
12150	7"	
12151	8"	
11775	3"	1.460
11776	3-1/2"	
11777	4"	
11778	4-1/4"	
11779	4-1/2"	
11780	5"	
11781	6"	

PART NUMBER ORDERING SYSTEM

XXXXX - X - XXXX - XX

PART NO.

THREAD

MATERIAL

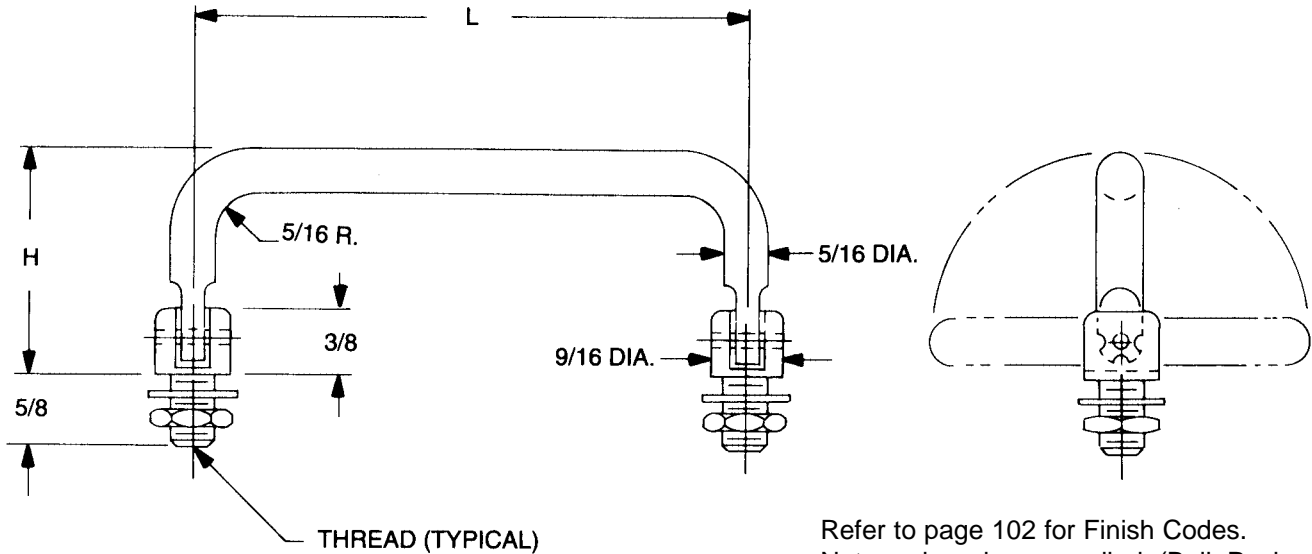
FINISH

THREAD CODE

THREAD	CODE
1/4-28	2528
5/16-24	3124

MATERIAL	CODE
Aluminum	A
Brass	B
Stainless Steel	SS
Steel	S

5/16" ROUND HANDLES EXTERNAL THREADS 180° 3 POSITION



Refer to page 102 for Finish Codes.
Nuts and washers supplied. (Bulk Package)

PART NO.	L ± 1/64	H ± 1/32
12165	4"	
12166	4-1/4	
12167	4-1/2	
12168	5"	1.430
12169	6"	
12170	7"	
12171	8"	
11785	3"	
11786	3-1/2	
11787	4"	
11788	4-1/4	1.530
11789	4-1/2	
11790	5"	
11791	6"	
11795	3"	
11796	3-1/2	
11797	4"	
11798	4-1/4	1.850
11799	4-1/2	
11800	5"	
11801	6"	

PART NUMBER ORDERING SYSTEM

XXXXX - X - XXXX - XX

PART NO.

THREAD

MATERIAL

FINISH

THREAD CODE

THREAD	CODE
1/4-28	2528
5/16-24	3124
3/8-24	3724

MATERIAL CODE

MATERIAL	CODE
Aluminum	A
Brass	B
Stainless Steel	SS
Steel	S

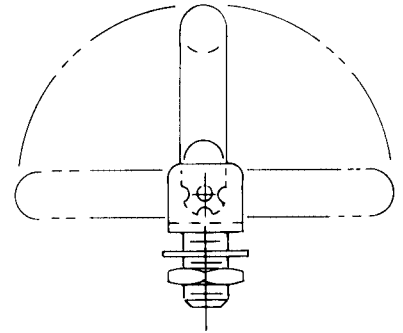
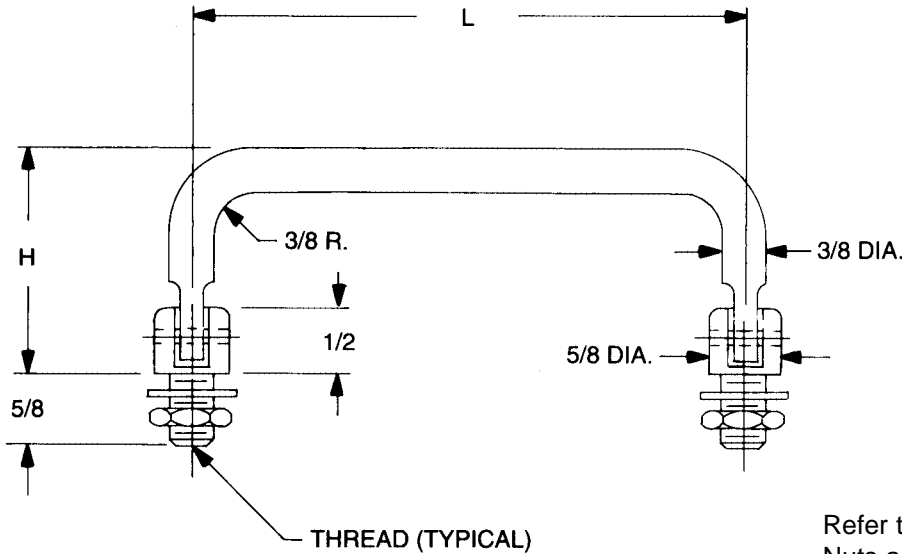
NOTE:

Metric size dimensions and threads available.

Please contact Sales Office.

5 Pasco Hill Road • Cromwell, CT 06416-1093
Phone: 860-828-0847 • Call Toll Free: 800-243-6032 • Fax: 860-828-0381
Web Address: <http://www.amatom.com> • E-Mail: sales@amatom.com

3/8" ROUND HANDLES EXTERNAL THREADS 180° 3 POSITION



Refer to page 102 for Finish Codes.
Nuts and washers supplied. (Bulk Package)

PART NO.	L ± 1/64	H ± 1/32
11805	3"	1.530
11806	3-1/2"	
11807	4"	
11808	4-1/4"	
11809	4-1/2"	
11810	5"	
11811	6"	
12175	4"	1.810
12176	4-1/4"	
12177	4-1/2"	
12178	5"	
12179	6"	
12180	7"	
12181	8"	

PART NO.	L ± 1/64	H ± 1/32
11815	3"	1.850
11816	3-1/2"	
11817	4"	
11818	4-1/4"	
11819	4-1/2"	
11820	5"	
11821	6"	
11850	4"	2.375
11851	4-1/4"	
11852	4-1/2"	
11853	5"	
11854	6"	
11855	7"	
11856	8"	

PART NUMBER ORDERING SYSTEM

XXXXX - X - XXXX - XX

PART NO. THREAD
MATERIAL FINISH

THREAD CODE

THREAD	CODE
5/16-24	3124
3/8-24	3724

MATERIAL	CODE
Aluminum	A
Brass	B
Stainless Steel	SS
Steel	S

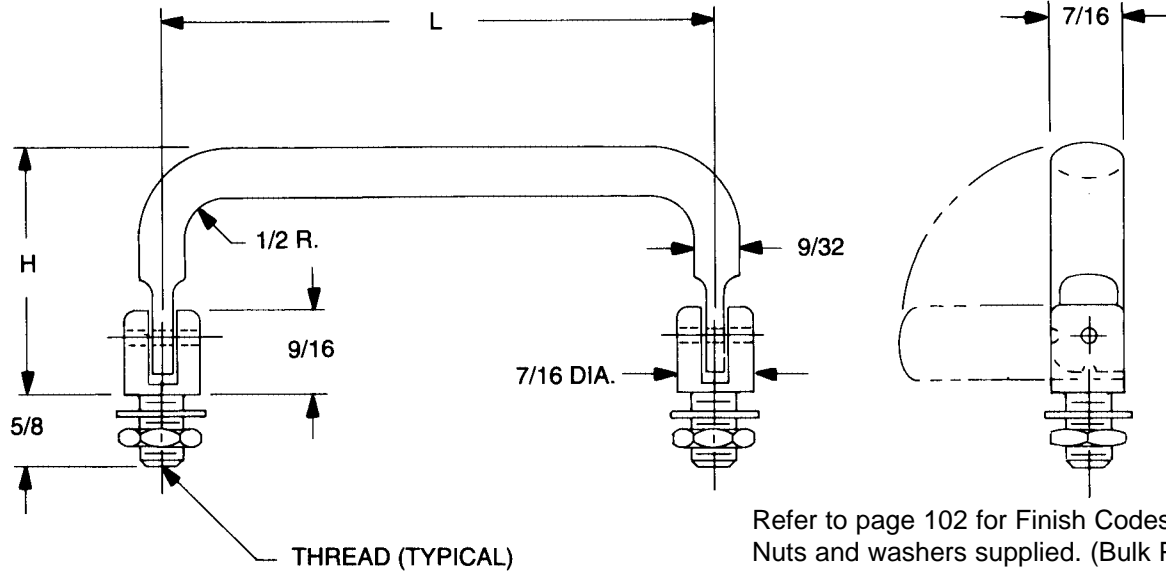
NOTE:

Metric size dimensions and threads available.

Please contact Sales Office.

5 Pasco Hill Road • Cromwell, CT 06416-1093
Phone: 860-828-0847 • Call Toll Free: 800-243-6032 • Fax: 860-828-0381
Web Address: <http://www.amatom.com> • E-Mail: sales@amatom.com

7/16" x 9/32" OVAL HANDLES EXTERNAL THREADS 90° 2 POSITION



Refer to page 102 for Finish Codes.
Nuts and washers supplied. (Bulk Package)

PART NUMBER ORDERING SYSTEM

XXXXX - X - XXXX - XX

PART NO.

THREAD

MATERIAL

FINISH

THREAD CODE

THREAD	CODE
5/16-24	3124
3/8-24	3724

MATERIAL CODE

MATERIAL	CODE
Aluminum	A
Brass	B
Stainless Steel	SS

NOTE:

Metric size dimensions and threads available.

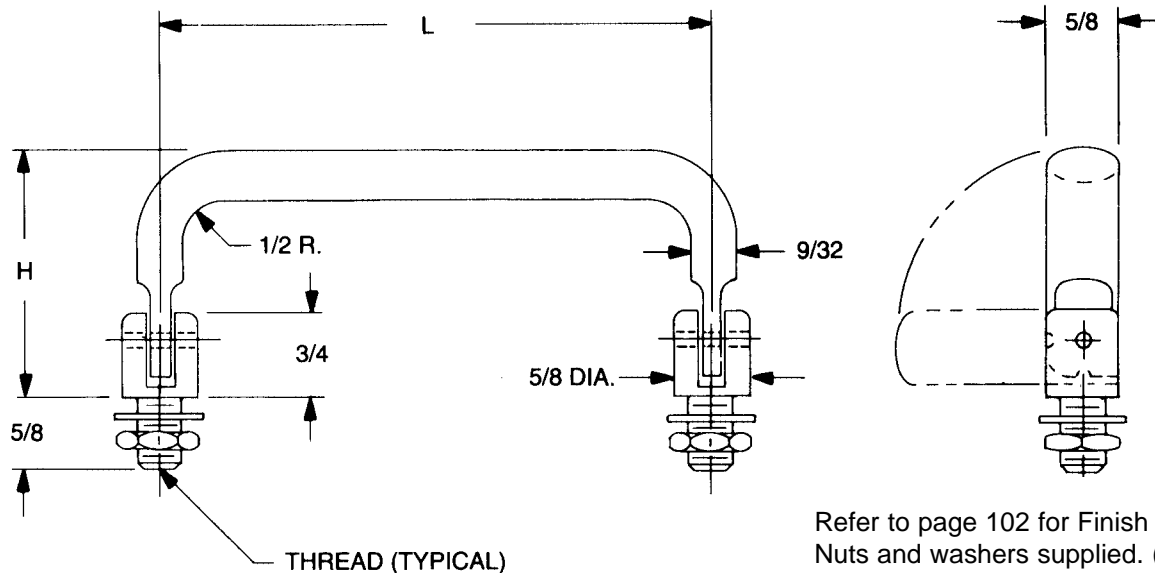
Please contact Sales Office.

PART NO.	L ± 1/64	H ± 1/32
12220	3"	
12221	4"	
12222	4-1/4"	
12223	4-1/2"	1.695
12224	5"	
12225	6"	
12226	7"	
12227	8"	
12230	3"	
12231	4"	
12232	4-1/4"	
12233	4-1/2"	1.791
12234	5"	
12235	6"	
12236	7"	
12237	8"	

PART NO.	L ± 1/64	H ± 1/32
12240	3"	
12241	4"	
12242	4-1/4"	
12243	4-1/2"	1.843
12244	5"	
12245	6"	
12246	7"	
12247	8"	
12250	3"	
12251	4"	
12252	4-1/4"	
12253	4-1/2"	2.125
12254	5"	
12255	6"	
12256	7"	
12257	8"	

5 Pasco Hill Road • Cromwell, CT 06416-1093
Phone: 860-828-0847 • Call Toll Free: 800-243-6032 • Fax: 860-828-0381
Web Address: <http://www.amatom.com> • E-Mail: sales@amatom.com

5/8" x 9/32" OVAL HANDLES EXTERNAL THREADS 90° 2 POSITION



Refer to page 102 for Finish Codes.
Nuts and washers supplied. (Bulk Package)

PART NO.	L ± 1/64	H ± 1/32
12350	3"	
12351	4"	
12352	4-1/4"	
12353	4-1/2"	1.695
12354	5"	
12355	6"	
12356	7"	
12357	8"	
12360	3"	
12361	4"	
12362	4-1/4"	
12363	4-1/2"	1.791
12364	5"	
12365	6"	
12366	7"	
12367	8"	

PART NO.	L ± 1/64	H ± 1/32
12370	3"	
12371	4"	
12372	4-1/4"	
12373	4-1/2"	1.843
12374	5"	
12375	6"	
12376	7"	
12377	8"	
12380	3"	
12381	4"	
12382	4-1/4"	
12383	4-1/2"	2.125
12384	5"	
12385	6"	
12386	7"	
12387	8"	

PART NUMBER ORDERING SYSTEM

XXXXX - X - XXXX - XX

PART NO. THREAD

MATERIAL FINISH

THREAD CODE

THREAD	CODE
5/16-24	3124
3/8-24	3724

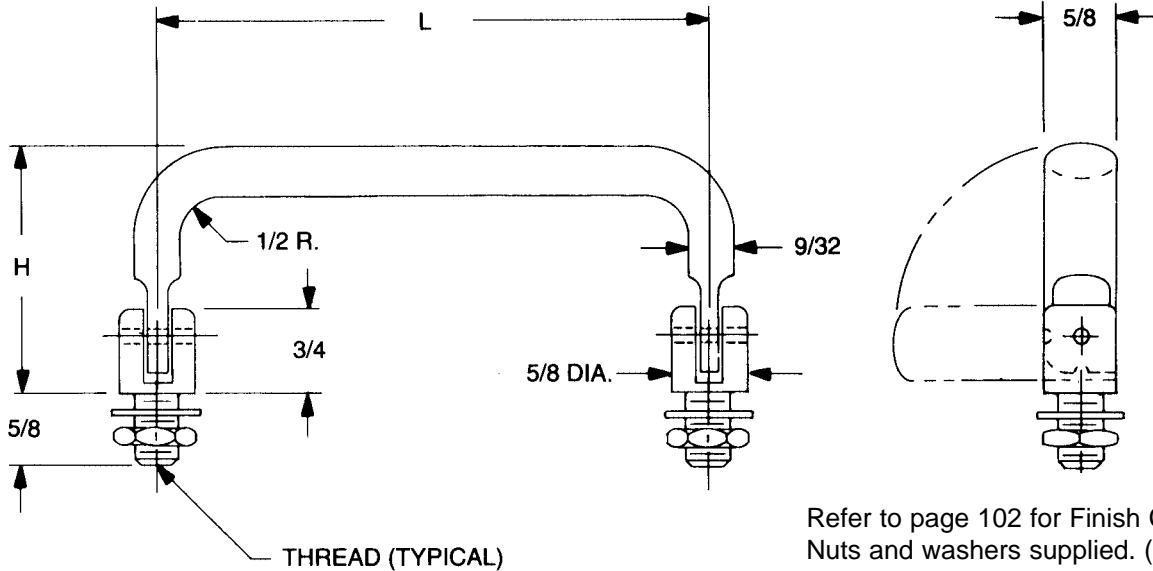
MATERIAL CODE

MATERIAL	CODE
Aluminum	A
Brass	B
Stainless Steel	SS

NOTE:
Metric size dimensions and threads available.
Please contact Sales Office.

5 Pasco Hill Road • Cromwell, CT 06416-1093
Phone: 860-828-0847 • Call Toll Free: 800-243-6032 • Fax: 860-828-0381
Web Address: <http://www.amatom.com> • E-Mail: sales@amatom.com

5/8" x 3/8" OVAL HANDLES EXTERNAL THREADS 90° 2 POSITION



Refer to page 102 for Finish Codes.
Nuts and washers supplied. (Bulk Package)

PART NUMBER ORDERING SYSTEM

XXXXX - X - XXXX - XX

PART NO. THREAD

MATERIAL FINISH

THREAD CODE

THREAD	CODE
5/16-24	3124
3/8-24	3724

MATERIAL CODE

MATERIAL	CODE
Aluminum	A
Brass	B

PART NO.	L ± 1/64	H ± 1/32
12410	3"	
12411	4"	
12412	4-1/4	
12413	4-1/2	1.695
12414	5"	
12415	6"	
12416	7"	
12417	8"	
12420	3"	
12421	4"	
12422	4-1/4	
12423	4-1/2	1.791
12424	5"	
12425	6"	
12426	7"	
12427	8"	

PART NO.	L ± 1/64	H ± 1/32
12430	3"	
12431	4"	
12432	4-1/4	
12433	4-1/2	1.843
12434	5"	
12435	6"	
12436	7"	
12437	8"	
12440	3"	
12441	4"	
12442	4-1/4	
12443	4-1/2	2.125
12444	5"	
12445	6"	
12446	7"	
12447	8"	

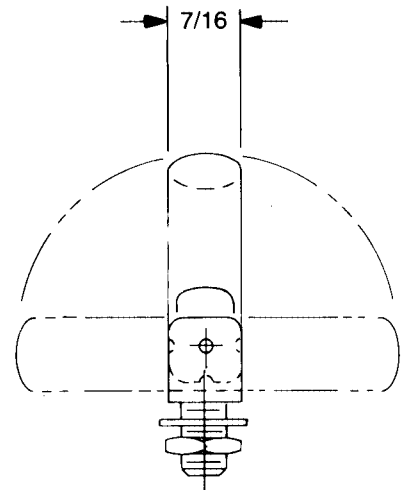
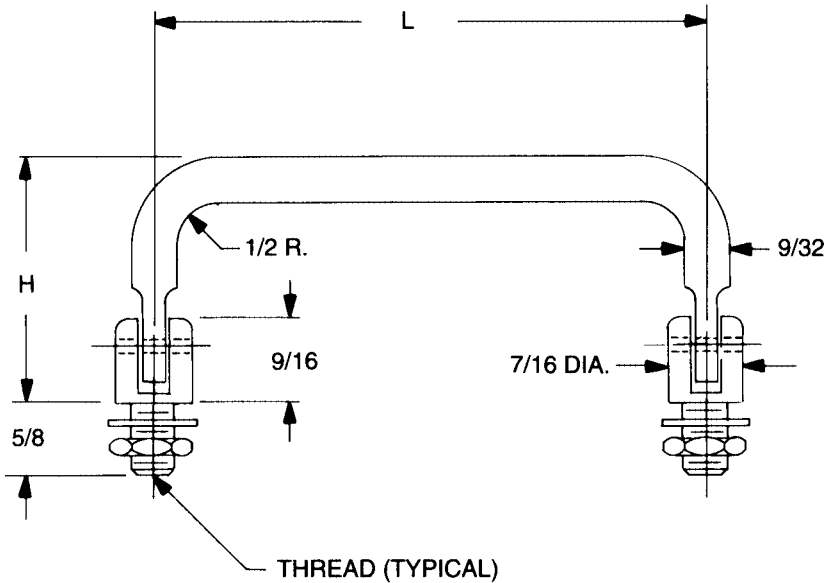
NOTE:

Metric size dimensions and threads available.

Please contact Sales Office.

5 Pasco Hill Road • Cromwell, CT 06416-1093
 Phone: 860-828-0847 • Call Toll Free: 800-243-6032 • Fax: 860-828-0381
 Web Address: <http://www.amatom.com> • E-Mail: sales@amatom.com

7/16" x 9/32" OVAL HANDLES EXTERNAL THREADS 180° 3 POSITION



Refer to page 102 for Finish Codes.
Nuts and washers supplied. (Bulk Package)

PART NUMBER ORDERING SYSTEM

XXXXX - X - XXXX - XX

PART NO.

THREAD

MATERIAL

FINISH

THREAD CODE

THREAD	CODE
5/16-24	3124
3/8-24	3724

MATERIAL

CODE

Aluminum	A
Brass	B
Stainless Steel	SS

NOTE:

Metric size dimensions and threads available.

Please contact Sales Office.

PART NO.	L ± 1/64	H ± 1/32
12475	3"	
12476	4"	
12477	4-1/4"	
12478	4-1/2"	1.695
12479	5"	
12480	6"	
12481	7"	
12482	8"	
12485	3"	
12486	4"	
12487	4-1/4"	
12488	4-1/2"	1.791
12489	5"	
12490	6"	
12491	7"	
12492	8"	

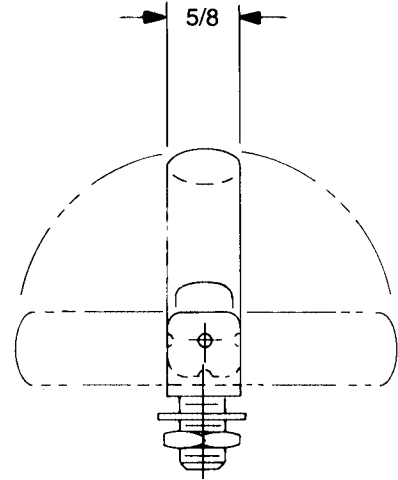
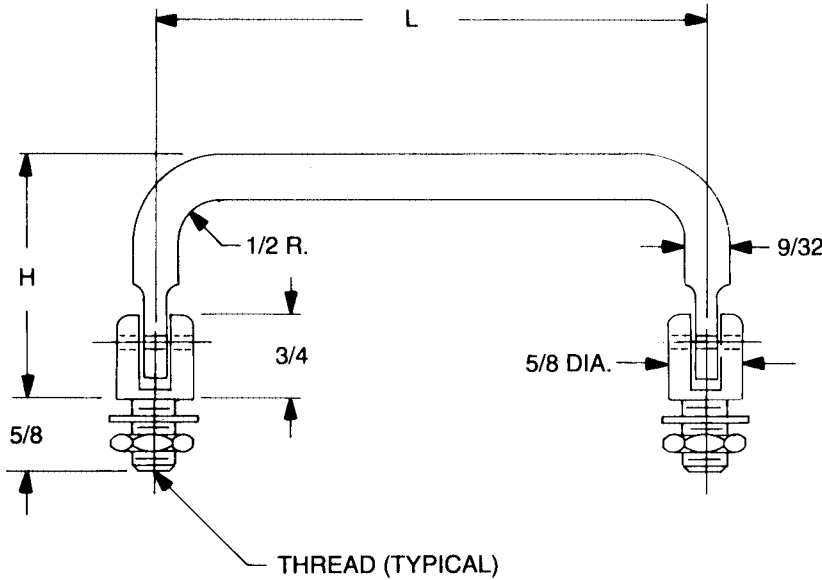
PART NO.	L ± 1/64	H ± 1/32
12495	3"	
12496	4"	
12497	4-1/4"	
12498	4-1/2"	1.843
12499	5"	
12500	6"	
12501	7"	
12502	8"	
12505	3"	
12506	4"	
12507	4-1/4"	
12508	4-1/2"	2.125
12509	5"	
12510	6"	
12511	7"	
12512	8"	

5 Pasco Hill Road • Cromwell, CT 06416-1093

Phone: 860-828-0847 • Call Toll Free: 800-243-6032 • Fax: 860-828-0381

Web Address: <http://www.amatom.com> • E-Mail: sales@amatom.com

5/8" x 9/32" OVAL HANDLES EXTERNAL THREADS 180° 3 POSITION



Refer to page 102 for Finish Codes.
Nuts and washers supplied. (Bulk Package)

PART NO.	L ± 1/64	H ± 1/32
12610	3"	
12611	4"	
12612	4-1/4"	
12613	4-1/2"	1.695
12614	5"	
12615	6"	
12616	7"	
12617	8"	
12620	3"	
12621	4"	
12622	4-1/4"	
12623	4-1/2"	1.791
12624	5"	
12625	6"	
12626	7"	
12627	8"	

PART NO.	L ± 1/64	H ± 1/32
12630	3"	
12631	4"	
12632	4-1/4"	
12633	4-1/2"	1.843
12634	5"	
12635	6"	
12636	7"	
12637	8"	
12640	3"	
12641	4"	
12642	4-1/4"	
12643	4-1/2"	2.125
12644	5"	
12645	6"	
12646	7"	
12647	8"	

PART NUMBER ORDERING SYSTEM

XXXXX - X - XXXX - XX

PART NO.

THREAD

MATERIAL

FINISH

THREAD CODE

THREAD	CODE
5/16-24	3124
3/8-24	3724

MATERIAL

CODE

Aluminum	A
Brass	B

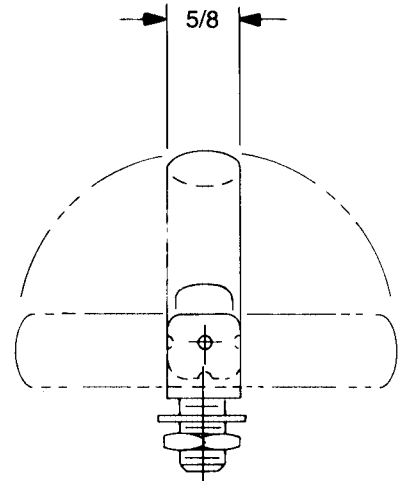
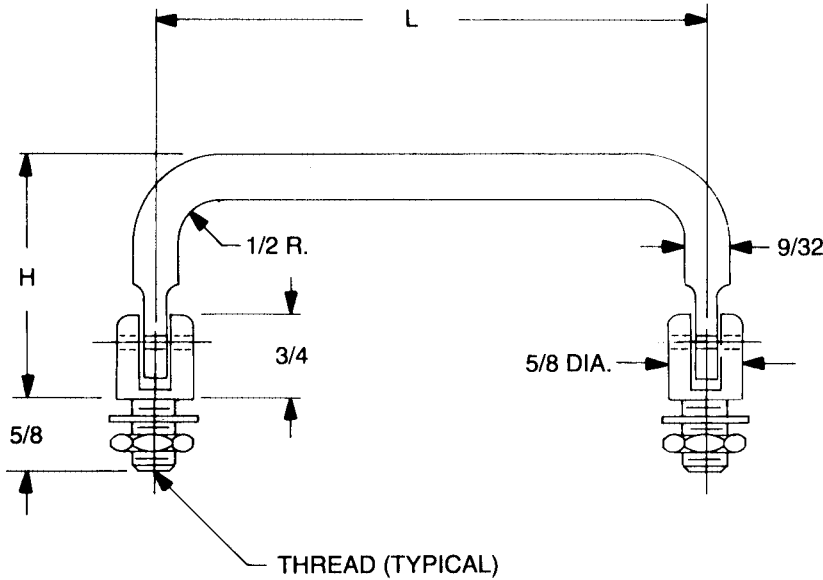
NOTE:

Metric size dimensions and threads available.

Please contact Sales Office.

5 Pasco Hill Road • Cromwell, CT 06416-1093
Phone: 860-828-0847 • Call Toll Free: 800-243-6032 • Fax: 860-828-0381
Web Address: <http://www.amatom.com> • E-Mail: sales@amatom.com

5/8" x 3/8" OVAL HANDLES EXTERNAL THREADS 180° 3 POSITION



Refer to page 102 for Finish Codes.
Nuts and washers supplied. (Bulk Package)

PART NO.	L ± 1/64	H ± 1/32
12670	3"	
12671	4"	
12672	4-1/4"	
12673	4-1/2"	1.695
12674	5"	
12675	6"	
12676	7"	
12677	8"	
12680	3"	
12681	4"	
12682	4-1/4"	
12683	4-1/2"	1.791
12684	5"	
12685	6"	
12686	7"	
12687	8"	

PART NO.	L ± 1/64	H ± 1/32
12690	3"	
12691	4"	
12692	4-1/4"	
12693	4-1/2"	1.843
12694	5"	
12695	6"	
12696	7"	
12697	8"	
12700	3"	
12701	4"	
12702	4-1/4"	
12703	4-1/2"	2.125
12704	5"	
12705	6"	
12706	7"	
12707	8"	

PART NUMBER ORDERING SYSTEM

XXXXX - X - XXXX - XX

PART NO.

THREAD

MATERIAL

FINISH

THREAD CODE

THREAD	CODE
5/16-24	3124
3/8-24	3724

MATERIAL CODE

MATERIAL	CODE
Aluminum	A
Brass	B

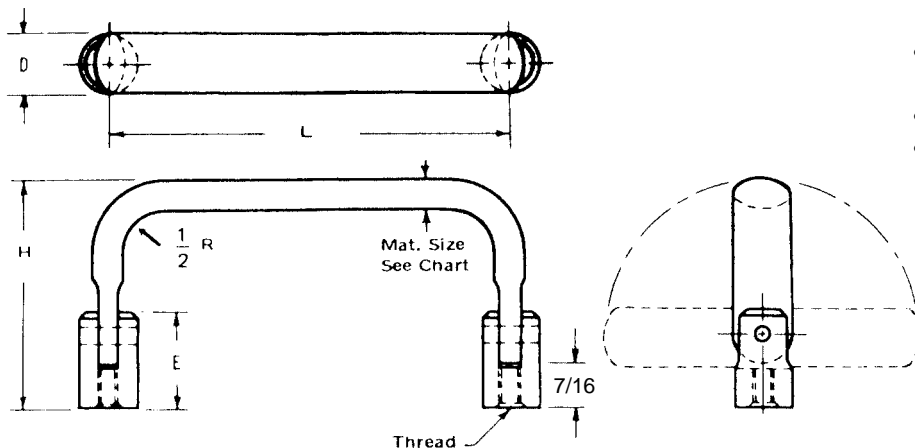
NOTE:

Metric size dimensions and threads available.

Please contact Sales Office.

5 Pasco Hill Road • Cromwell, CT 06416-1093
Phone: 860-828-0847 • Call Toll Free: 800-243-6032 • Fax: 860-828-0381
Web Address: <http://www.amatom.com> • E-Mail: sales@amatom.com

7/16" x 9/32" OVAL HANDLES INTERNAL THREADS 180° INFINITE POSITION



- Custom or Special Handles to meet specific requirements can be supplied.
- Tolerances see page 101.
- Refer to page 102 for Finish Codes.

PART NO.	L ± 1/64	H ± 1/32
12740	2"	2"
12741	3"	
12742	4"	
12743	5"	
12744	6"	
12745	7"	
12746	8"	2-1/2
12750	2"	
12751	3"	
12752	4"	
12753	5"	
12754	6"	
12755	7"	3"
12756	8"	
12760	2"	
12761	3"	
12762	4"	
12763	5"	
12764	6"	
12765	7"	
12766	8"	

PART NUMBER ORDERING SYSTEM

XXXXX - X - XXXX - XX

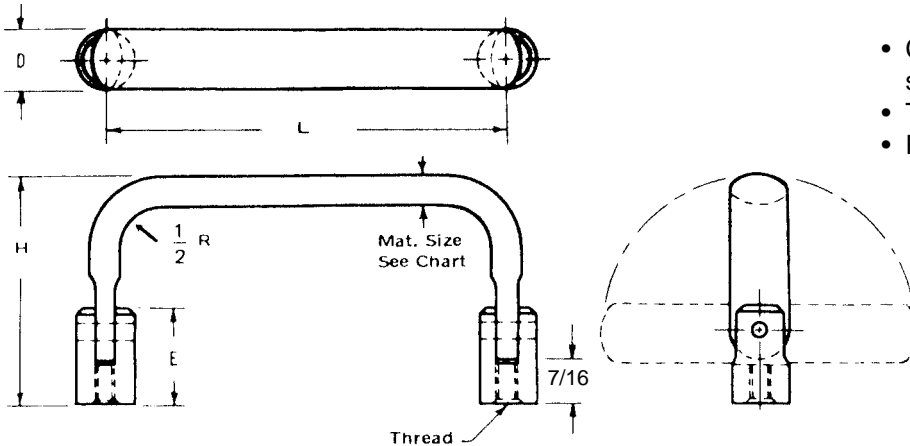
PART NO. | THREAD | MATERIAL | FINISH

THREAD CODE	
THREAD	CODE
8-32	0832
10-32	1032

MATERIAL	CODE
Aluminum	A
Brass	B
Stainless Steel	SS

NOTE:
Metric size dimensions and threads available.
Please contact Sales Office.

5/8" x 9/32" OVAL HANDLES INTERNAL THREADS 180° INFINITE POSITION



- Custom or Special Handles to meet specific requirements can be supplied.
- Tolerances see page 101.
- Refer to page 102 for Finish Codes.

PART NO.	L ± 1/64	H ± 1/32
12840	2"	2"
12841	3"	
12842	4"	
12843	5"	
12844	6"	
12845	7"	
12846	8"	2-1/2
12850	2"	
12851	3"	
12852	4"	
12853	5"	
12854	6"	
12855	7"	3"
12856	8"	
12860	2"	
12861	3"	
12862	4"	
12863	5"	
12864	6"	
12865	7"	
12866	8"	

PART NUMBER ORDERING SYSTEM			
XXXXX - X - XXXX - XX			
PART NO.	MATERIAL	THREAD	FINISH

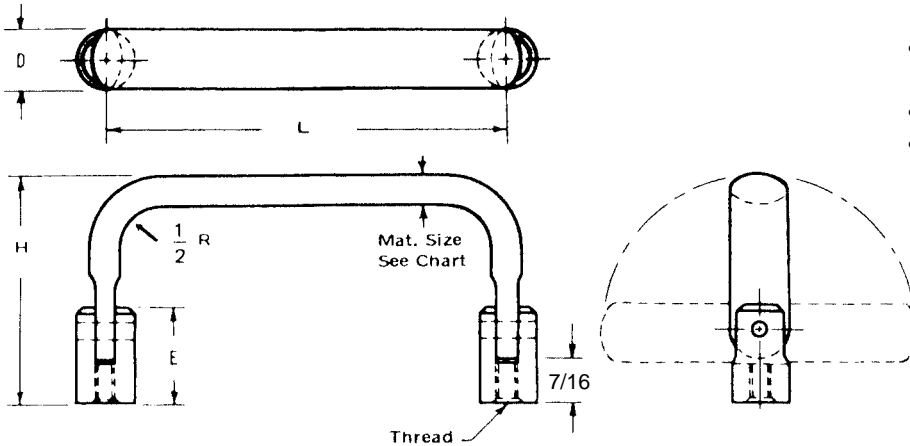
THREAD CODE	
THREAD	CODE
8-32	0832
10-32	1032

MATERIAL	CODE
Aluminum	A
Brass	B
Stainless Steel	SS

NOTE:
Metric size dimensions and threads available.
Please contact Sales Office.

5 Pasco Hill Road • Cromwell, CT 06416-1093
Phone: 860-828-0847 • Call Toll Free: 800-243-6032 • Fax: 860-828-0381
Web Address: <http://www.amatom.com> • E-Mail: sales@amatom.com

5/8" x 3/8" OVAL HANDLES INTERNAL THREADS 180° INFINITE POSITION



- Custom or Special Handles to meet specific requirements can be supplied.
- Tolerances see page 101.
- Refer to page 102 for Finish Codes.

PART NO.	L ± 1/64	H ± 1/32
12890	2"	
12891	3"	
12892	4"	
12893	5"	2"
12894	6"	
12895	7"	
12896	8"	
12900	2"	
12901	3"	
12902	4"	
12903	5"	2-1/2
12904	6"	
12905	7"	
12906	8"	
12910	2"	
12911	3"	
12912	4"	
12913	5"	3"
12914	6"	
12915	7"	
12916	8"	

**PART NUMBER
ORDERING SYSTEM**

XXXXX - X - XXXX - XX

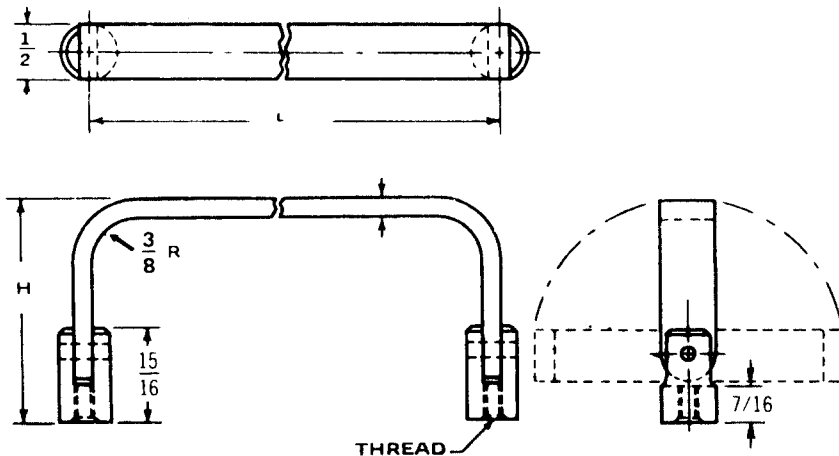
PART NO.	MATERIAL	THREAD	FINISH

THREAD CODE	
THREAD	CODE
8-32	0832
10-32	1032

MATERIAL	CODE
Aluminum	A
Brass	B

NOTE:
Metric size dimensions and threads available.
Please contact Sales Office.

1/2" x 3/16" RECTANGULAR HANDLES INTERNAL THREADS 180° INFINITE POSITION



PART NO.	L ± 1/64	H ± 1/32
13020	3"	1-1/2
13021	3-3/4	
13022	4"	
13023	4-1/4	
13024	4-1/2	
13025	5"	
13026	5-1/2	
13027	6"	
13028	7"	
13029	8"	
13030	9"	
13031	10"	
13050	3"	2-1/16
13051	3-3/4	
13052	4"	
13053	4-1/4	
13054	4-1/2	
13055	5"	
13056	5-1/2	
13057	6"	
13058	7"	
13059	8"	
13060	9"	
13061	10"	

PART NO.	L ± 1/64	H ± 1/32
13035	3"	2"
13036	3-3/4	
13037	4"	
13038	4-1/4	
13039	4-1/2	
13040	5"	
13041	5-1/2	
13042	6"	
13044	8"	
13045	9"	
13046	10"	
13065	3"	2-1/2
13066	3-3/4	
13067	4"	
13068	4-1/4	
13069	4-1/2	
13070	5"	
13071	5-1/2	
13072	6"	
13073	7"	
13074	8"	
13075	9"	
13076	10"	

PART NUMBER ORDERING SYSTEM

XXXXX - X - XXXX - XX

|
 PART NO. | THREAD
 |
 MATERIAL | FINISH

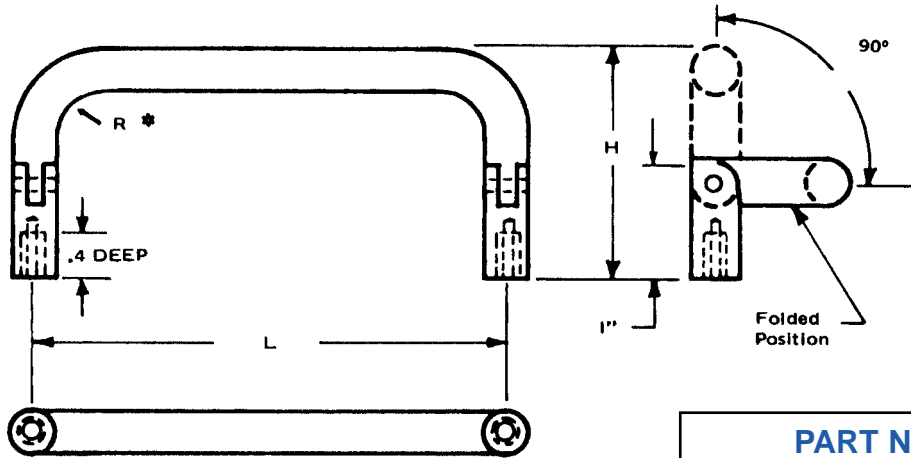
THREAD CODE	
THREAD	CODE
8-32	0832
10-32	1032

MATERIAL	CODE
Aluminum	A
Brass	B
Stainless Steel	SS

NOTE:
Metric size dimensions and threads available.
Please contact Sales Office.

5 Pasco Hill Road • Cromwell, CT 06416-1093
 Phone: 860-828-0847 • Call Toll Free: 800-243-6032 • Fax: 860-828-0381
 Web Address: <http://www.amatom.com> • E-Mail: sales@amatom.com

5/16" ROUND HANDLES INTERNAL THREADS 90° FOLDING-FREE FALL



Radius is approx. same as O.D. of material.

PART NUMBER ORDERING SYSTEM

XXXXX - X - XXXX - XX

PART NO.

THREAD

MATERIAL

FINISH

PART NO.	L ± 1/64	H ± 1/32
14050	3"	
14051	3-1/2"	
14052	4"	
14053	4-9/16"	2"
14054	5"	
14055	6"	
14056	7"	

THREAD CODE

THREAD	CODE
8-32	0832
10-32	1032

MATERIAL

CODE

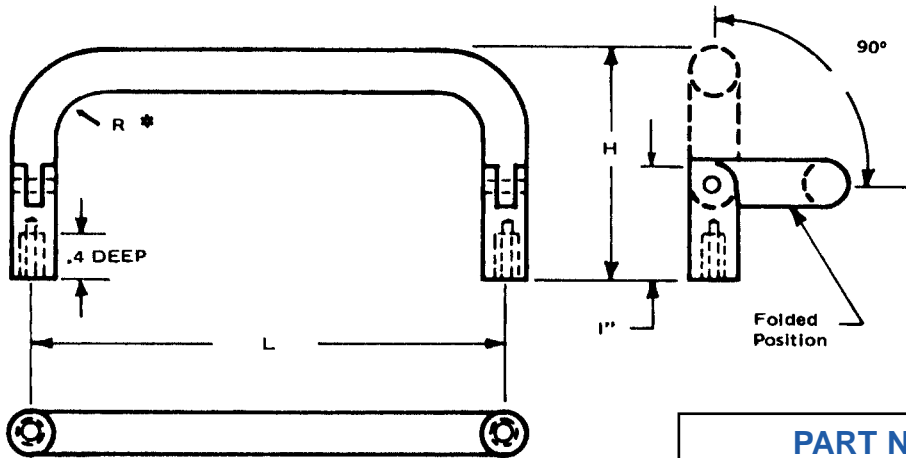
Aluminum	A
Brass	B
Stainless Steel	SS
Steel	S

NOTE:

Metric size dimensions and threads available.

Please contact Sales Office.

3/8" ROUND HANDLES INTERNAL THREADS 90° FOLDING-FREE FALL



Radius is approx. same as O.D. of material.

PART NO.	L ± 1/64	H ± 1/32
14060	3"	
14061	3-1/2"	
14062	4"	
14063	4-9/16"	2"
14064	5"	
14065	6"	
14066	7"	

PART NUMBER ORDERING SYSTEM

XXXXX - X - XXXX - XX

PART NO.

THREAD

MATERIAL

FINISH

THREAD CODE

THREAD	CODE
8-32	0832
10-32	1032

MATERIAL

CODE

Aluminum	A
Brass	B
Stainless Steel	SS
Steel	S

NOTE:

Metric size dimensions and threads available.

Please contact Sales Office.