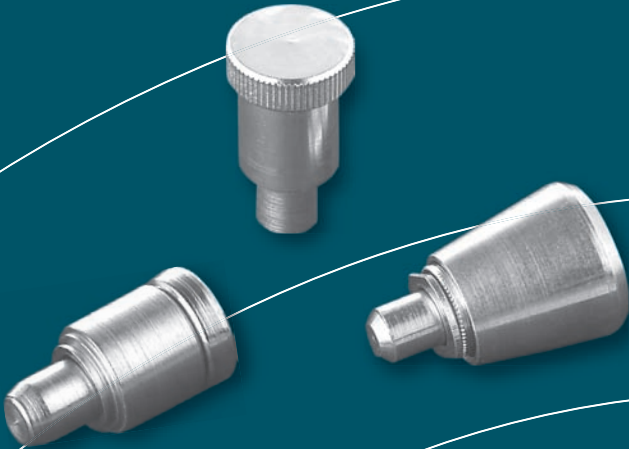




QUALITY FASTENERS™

**SPRING LOADED PLUNGERS**  
**Designer's Guide**



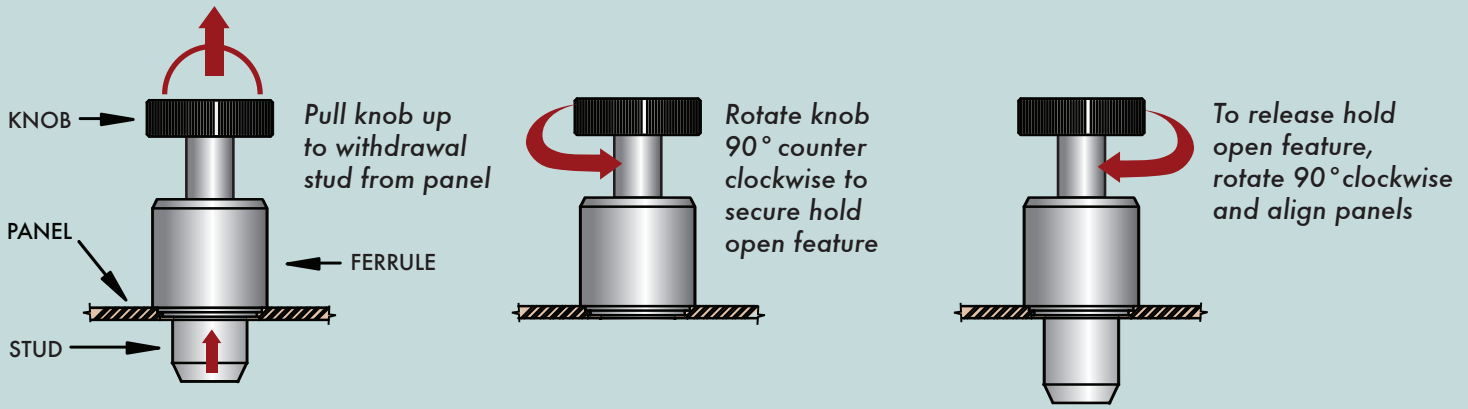
# SPRING LOADED PLUNGERS

## Features & Benefits



- Allow quick release of sliding parts
- Function as locator or hinge pin for removable doors or drawers
- Available with hold open feature

## Hold Open Feature



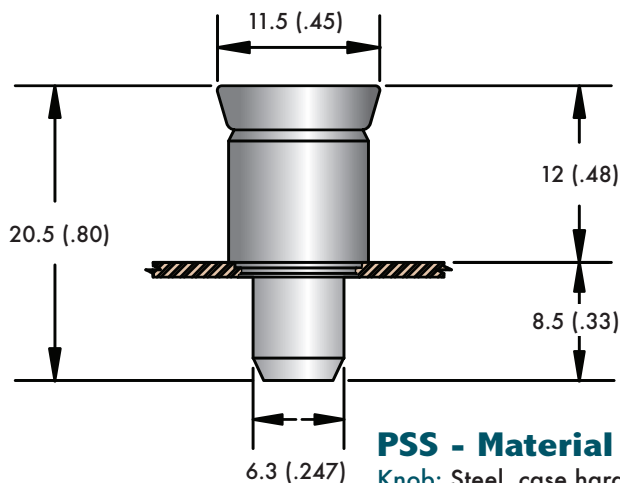
## PSS - Press in



### PSS Part Number Callout

PSS - [Feature Code] - [Finish Code]

H	Hold Open	Z	Zinc Clear Chromate
N	Non-Hold Open	B	Black Nitride



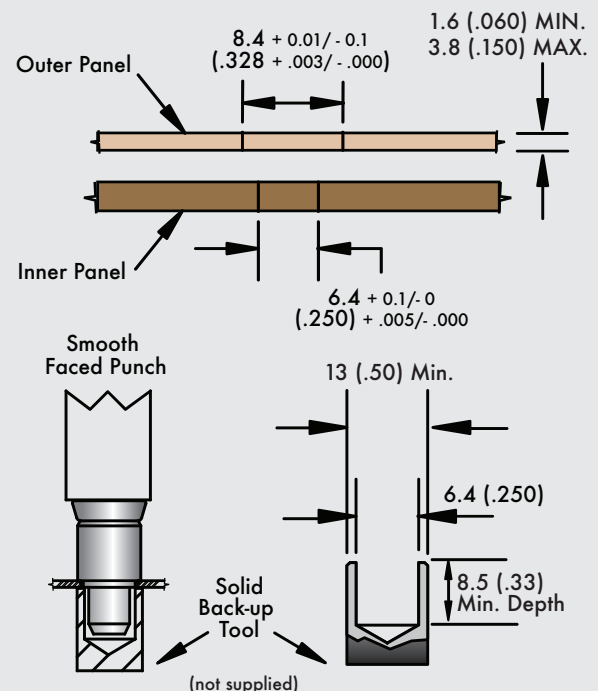
### PSS - Material

Knob: Steel, case hardened  
 Spring: Stainless Steel, passivated  
 Stud: Steel  
 Ferrule: Steel, case hardened

**NOTE:**

1. For use in material hardness rb85 or less.
2. Recommended minimum distance from edge of panel to centerline of hole is 9.6 (.375)

### Installation Instructions



\*To install, press knob with approximately 3000 lbs. for steel, 1500 lbs. for aluminum panels until ferrule sits flush with panel.

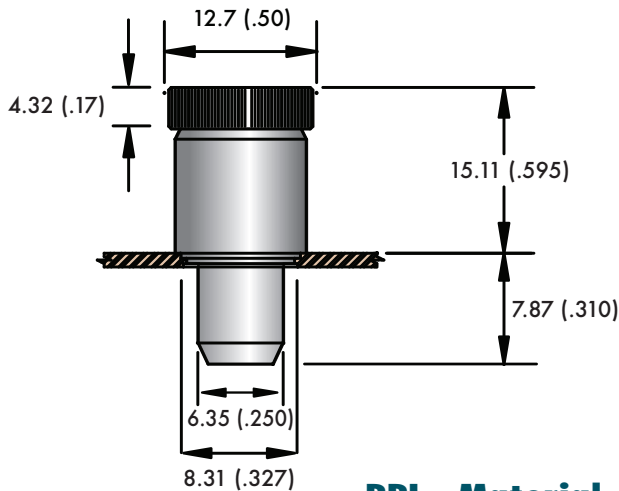
## PPL - Press in



### PPL Part Number Callout

PPL - [Feature Code] - [Finish Code]

<b>H</b>	Hold Open	<b>Z</b>	Zinc Clear Chromate
<b>N</b>	Non-Hold Open	<b>B</b>	Black Nitride



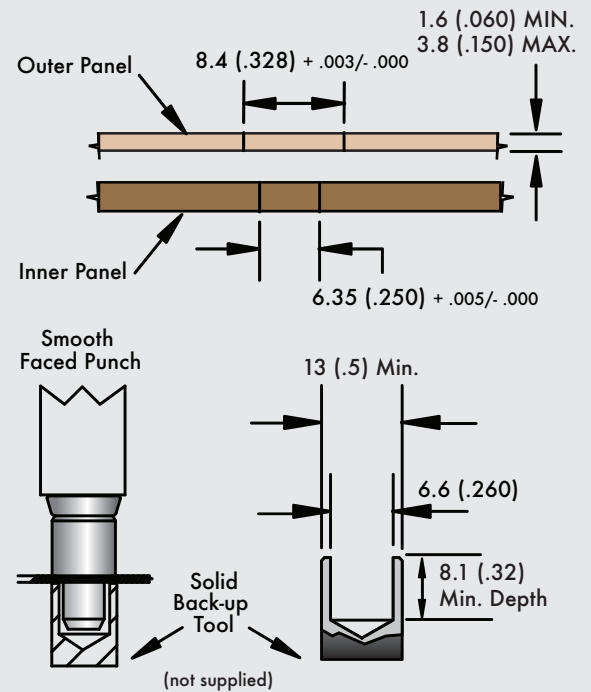
### PPL - Material

**Knob:** Steel, case hardened  
**Spring:** Stainless steel, passivated  
**Stud:** Steel  
**Ferrule:** Steel, case hardened

**NOTE:**

1. For use in material hardness rb80 or less.
2. Recommended minimum distance from edge of panel to centerline of hole is 8.64 (.34).

### Installation Instructions



\*To install, press knob with approximately 4000 lbs. for steel, 3000 lbs. for aluminum panels until ferrule sits flush with panel.

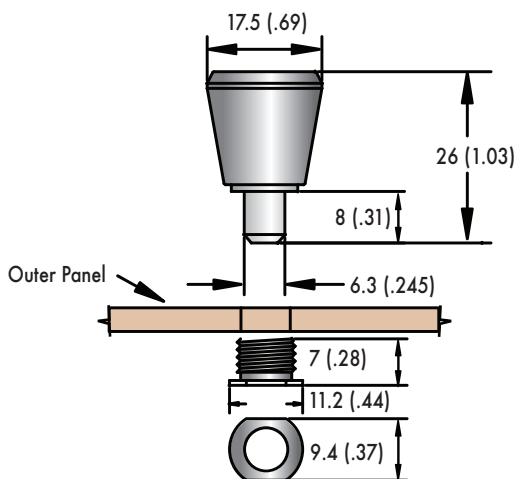
## PSL - Thread in



### PSL Part Number Callout

PSL - [Feature Code] - [Finish Code]

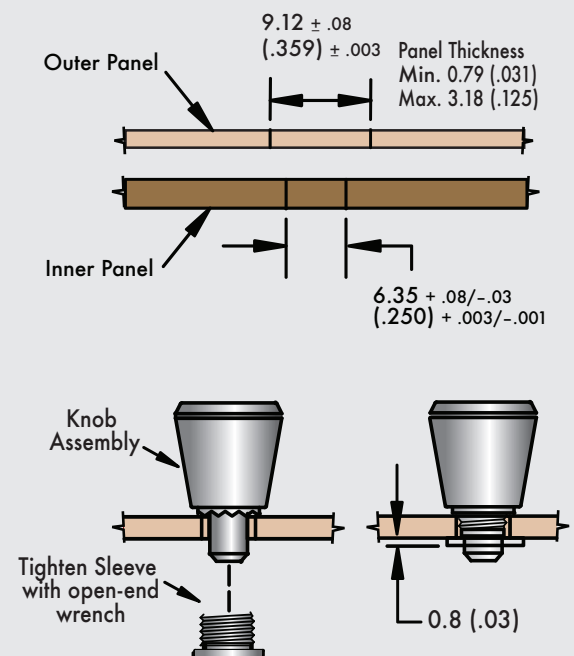
<b>H</b>	Hold Open	<b>N</b>	Natural Aluminum
<b>N</b>	Non-Hold Open	<b>B</b>	Black Nitride



### PSL - Material

**Knob:** 6000 Series aluminum  
**Spring:** Stainless steel, passivated  
**Stud:** Low carbon steel, case hardened  
**Shell & Sleeve:** 12L14 Steel, zinc plate, chromate plus sealer  
**Detent Washer:** 1064 Steel

### Installation Instructions





Standard Products	Installation Styles				Replaces Southco®	Replaces PEM®
	Press-In	Flare-In	Floating	PC Board		
<b>MC™ Series</b> Retractable Captive Screws	MCPTM	MCFTM	MCLTM	MCB™	47	PF11™ PF12™ PF13™ PF14™
<b>MP™ Series</b> Retractable Captive Screws	MPPTM	MPFTM	MPL™	MPB™	–	PF30™ PF31™ PF32™ PF50™ PF60™
<b>MM™ Series</b> “Low Head” Miniature Retractable Screws	MMP™	MMF™	MML™	MMB™	52	PFS2™ PFC2™
<b>MS™ Series</b> “High Head” Miniature Retractable Screws	MSP™	MSF™	MSL™	MSB™	52	–
<b>MF™ Series</b> Flush Mount Captive Screws	√	–	–	–	F5	PF10
Spring Loaded Plungers	√	√	–	√	56	PTL2
<b>MFL™ Product Series</b> “Speed Lead”™ Captive Screws					09 12	–
SLS™ “Speed Latch” System					–	–
<b>MTS™ Series</b> “Snap-In”™ Captive Screws					–	–
<b>Q™ Series</b> Quarter-Turn Fasteners & Receptacles					81 82 85	–

©Southco is a registered trademark of Southco, Inc. PF11, PF12, PF13, PF14, PF30, PF31, PF32, PF50, PF60, PFC, PFC2 & ©PEM are trademarks of Penn Engineering & Manufacturing Corp.

<b>Headquarters:</b> <b>Matdan Corporation</b> Cincinnati, Ohio 45242, USA Tel: 513 - 794 - 0500 Fax: 513 - 794 - 0651 E-mail: sales@matdanfasteners.com	<b>China Company:</b> <b>Matdan (Ningbo)</b> <b>Specialty Hardware Co., Ltd.</b> Ningbo, Zhejiang Province, China 315803 E-mail: sales_cn@matdanfasteners.com
--	---

[www.matdanfasteners.com](http://www.matdanfasteners.com)

Matdan, matdanfasteners.com and the Matdan logo are trademarks of the Matdan Corporation. Use allowed only with written permission from Matdan. The contents of this publication are copyrighted 2007 Matdan Corporation. All rights reserved. Copies may be obtained from the company. Published specifications are subject to change without notice.

For ordering information call 513-794-0500 or E-mail: sales@matdanfasteners.com  
 Published specifications are subject to change without notice. ©2007 Matdan Corporation. All rights reserved.