

POSITIVE LOCKING FOLDING HANDLES

AMATOM now offers three different models of Locking Handles.

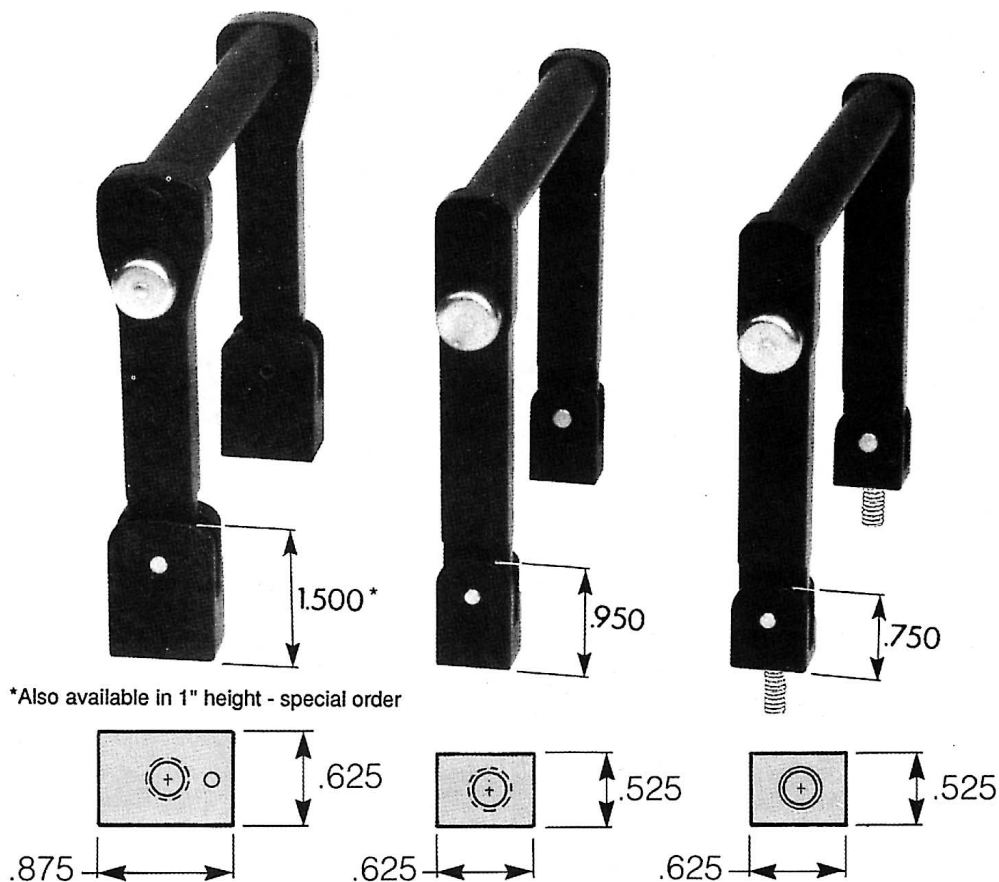
The two new models, the Compact and the Low Profile, retain all the same features found in the original Standard size handles.

- Easy one hand operation.
- Lightweight extruded aluminum.
- 300 series and heat treated 400 series stainless.
- Available from stock in two heights and several lengths.
- Black anodize finish.

Standard

Compact

Low Profile

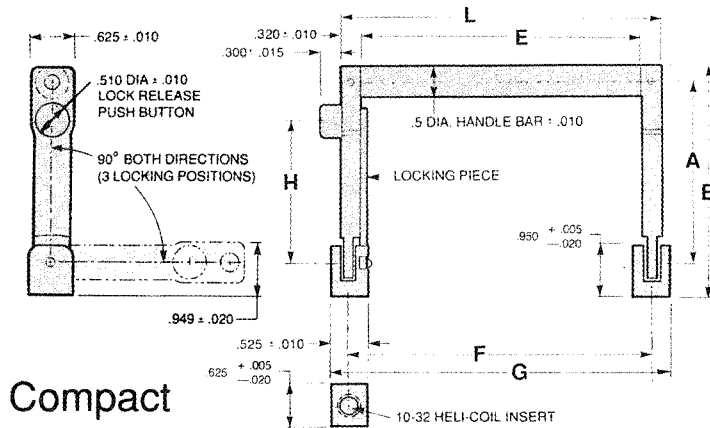


5 Pasco Hill Road • Cromwell, CT 06416-1093
 Phone: 860-828-0847 • Call Toll Free: 800-243-6032 • Fax: 860-828-0381
 Web Address: <http://www.amatom.com> • E-Mail: sales@amatom.com

Part No.	E (+.010)	F (+.020)	G (REF.)	L (REF.)
80820	2.68	3.00	3.53	3.32
80821	3.68	4.00	4.53	4.32
80822	4.18	4.50	5.03	4.82
80823	4.68	5.00	5.53	5.32
80820-2	2.68	3.00	3.53	3.32
80821-2	3.68	4.00	4.53	4.32
80822-2	4.18	4.50	5.03	4.82
80823-2	4.68	5.00	5.53	5.32

For part numbers 80820 thru 80823,
A=3.068 B=3.965 H=2.400 All (±.020)

For part numbers 80820-2 thru 80823-2,
A=1.478 B=2.375 H=0.875 All (±.020)

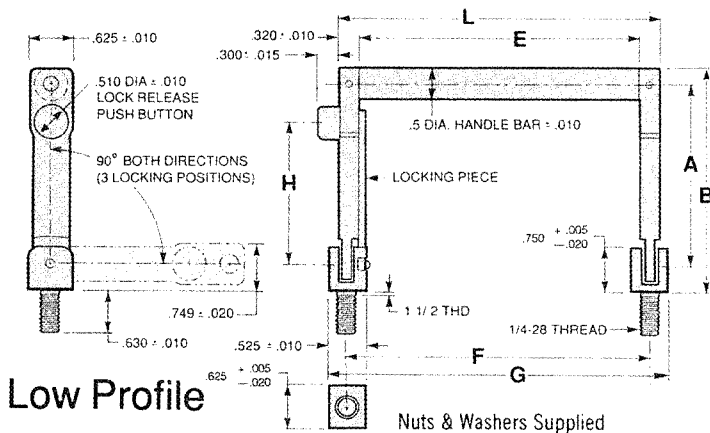


Compact

Part No.	E (+.010)	F (+.020)	G (REF.)	L (REF.)
80826	2.68	3.00	3.53	3.32
80827	3.68	4.00	4.53	4.32
80828	4.18	4.50	5.03	4.82
80829	4.68	5.00	5.53	5.32
80830	5.68	6.00	6.53	6.32
80826-2	2.68	3.00	3.53	3.32
80827-2	3.68	4.00	4.53	4.32
80828-2	4.18	4.50	5.03	4.82
80829-2	4.68	5.00	5.53	5.32
80830-2	5.68	6.00	6.53	6.32

For part numbers 80826 thru 80829,
A=3.068 B=3.766 H=2.400 All (±.020)

For part numbers 80826-2 thru 80829-2,
A=1.478 B=2.176 H=0.875 All (±.020)

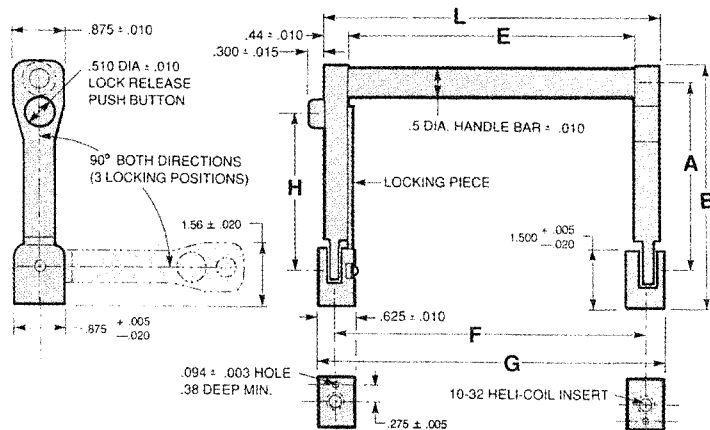


Low Profile

Part No.	E (+.010)	F (+.020)	G (REF.)	L (REF.)
80428	2.57	3.00	3.63	3.45
80430	3.57	4.00	4.63	4.45
80432	4.07	4.50	5.13	4.95
80434	4.57	5.00	5.63	5.45
80436	5.57	6.00	6.63	6.45
80442	7.57	8.00	8.63	8.45
80453	2.57	3.00	3.63	3.45
80455	3.57	4.00	4.63	4.45
80457	4.07	4.50	5.13	4.95
80459	4.57	5.00	5.63	5.45
80461	5.57	6.00	6.63	6.45
80465	7.57	8.00	8.63	8.45

For part numbers 80428 thru 80442,
A=1.400 B=2.785 H=0.875 All (±.020)

For part numbers 80453 thru 80465,
A=2.990 B=4.375 H=2.400 All (±.020)



Standard

Materials:

Ferrules, side pieces and cross bar - 6061T6 aluminum.
 Push button, spring - 300 series stainless steel.
 Locking piece - 410 stainless steel.
 Pivot and retaining pins 203EZ.
 Internally threaded mounting holes are fitted with 10-32 locking Heli-Coil inserts.

Standard Finish:

Aluminum - Black anodized MIL-A-8625D.
 Stainless steel - passivated MIL-F-14072-E300.

Notes:

Load at extended position: up to 160 Pounds.
 Average force to release lock: 6 pounds.
 All specifications listed above apply to all three versions.

5 Pasco Hill Road • Cromwell, CT 06416-1093
Phone: 860-828-0847 • Call Toll Free: 800-243-6032 • Fax: 860-828-0381
Web Address: <http://www.amatom.com> • E-Mail: sales@amatom.com