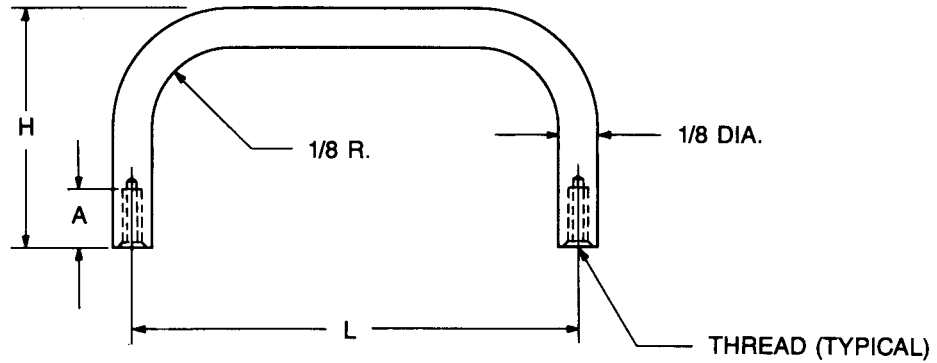


1/8" ROUND HANDLES INTERNAL THREADS



Refer to page 102 for Finish Codes.

PART NO.	L ± 1/64	H ± 1/32
10010	3/4	
10011	13/16	
10012	7/8	
10013	1"	1/2
10014	1-1/4	
10015	1-1/2	
10016	2"	
10020	3/4	
10021	13/16	
10022	7/8	
10023	1"	3/4
10024	1-1/4	
10025	1-1/2	
10026	2"	
10030	1"	
10031	1-1/4	
10032	1-1/2	1"
10033	1-3/4	
10034	2"	

PART NO.	L ± 1/64	H ± 1/32
10038	1"	
10039	1-1/4	
10040	1-1/2	1-1/4
10041	1-3/4	
10042	2"	
10045	1"	
10046	1-1/4	
10047	1-1/2	1-1/2
10048	1-3/4	
10049	2"	
10052	1-1/4	
10053	1-1/2	
10054	1-3/4	2"
10055	2"	
10056	2-1/2	
10057	3"	

PART NUMBER ORDERING SYSTEM

XXXXX - X - XXXX - XX

|
 PART NO. | THREAD |
 |
 MATERIAL | FINISH

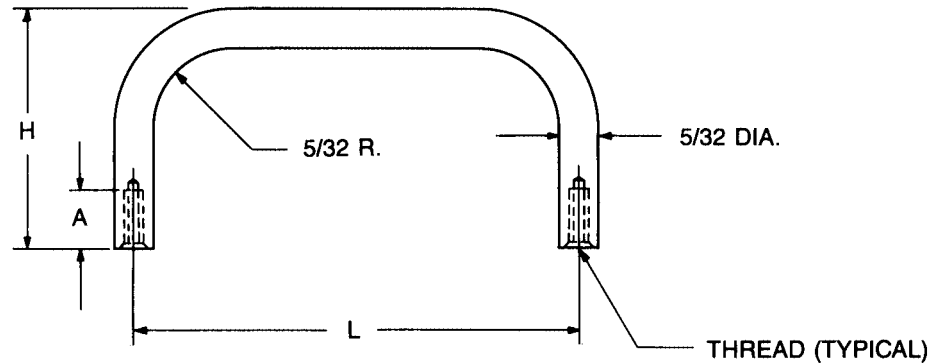
THREAD CODE & DEPTH		
THREAD	CODE	A
2-56	0256	3/16

MATERIAL	CODE
Aluminum	A
Brass	B
Stainless Steel	SS
Steel	S

NOTE:
 Metric size dimensions and threads available.
 Please contact Sales Office.

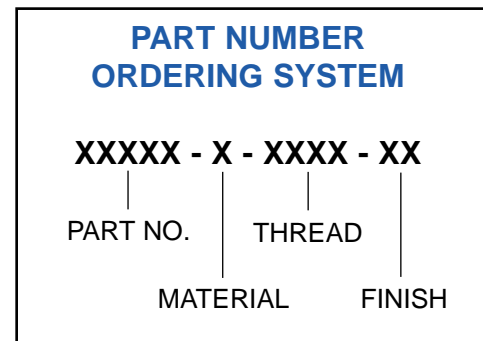
5 Pasco Hill Road • Cromwell, CT 06416-1093
 Phone: 860-828-0847 • Call Toll Free: 800-243-6032 • Fax: 860-828-0381
 Web Address: <http://www.amatom.com> • E-Mail: sales@amatom.com

5/32" ROUND HANDLES INTERNAL THREADS



Refer to page 102 for Finish Codes.
For MS39087 equivalents see page 271.

PART NO.	L ± 1/64	H ± 1/32
10090	1"	3/4
10091	1-1/4	
10092	1-1/2	
10093	2"	
10094	2-1/2	
10095	3"	
10100	1"	1"
10101	1-1/4	
10102	1-1/2	
10103	1-3/4	
10104	2"	
10105	2-1/2	
10106	3"	



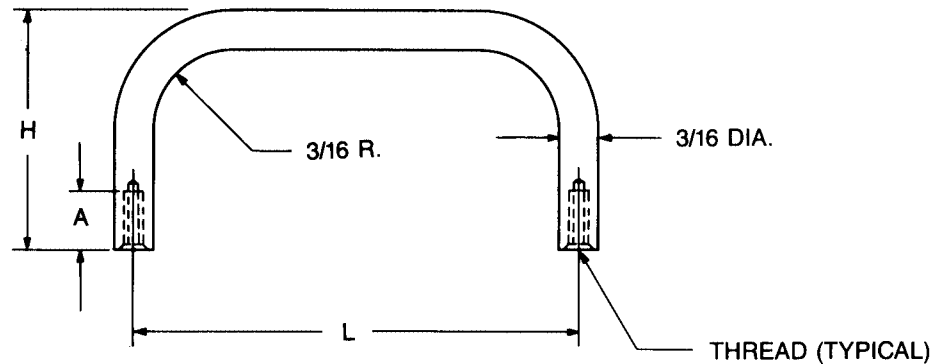
THREAD CODE & DEPTH		
THREAD	CODE	A
2-56	0256	3/16
4-40	0440	1/4-3/8

MATERIAL	CODE
Aluminum	A
Brass	B
Stainless Steel	SS
Steel	S

NOTE:
Metric size dimensions and threads available.
Please contact Sales Office.

5 Pasco Hill Road • Cromwell, CT 06416-1093
Phone: 860-828-0847 • Call Toll Free: 800-243-6032 • Fax: 860-828-0381
Web Address: <http://www.amatom.com> • E-Mail: sales@amatom.com

3/16" ROUND HANDLES INTERNAL THREADS



Refer to page 102 for Finish Codes.
For MS39087 equivalents see page 271.

PART NO.	L ± 1/64	H ± 1/32
10110	1-1/2	5/8
10111	1-3/4	
10112	2"	
10113	3"	
10114	4"	
10115	5"	
10116	5-1/4	
10120	1"	3/4
10121	1-1/4	
10122	1-1/2	
10123	1-3/4	
10124	2"	
10125	3"	
10126	4"	
10127	5"	
10130	1"	7/8
10131	1-1/4	
10132	1-1/2	
10133	1-3/4	
10134	2"	
10135	3"	
10136	4"	
10137	5"	
10140	1"	1"
10141	1-1/4	
10142	1-1/2	
10143	1-3/4	
10144	2"	
10145	3"	
10146	4"	
10147	5"	

PART NO.	L ± 1/64	H ± 1/32
10150	1"	1-1/8
10151	1-1/4	
10152	1-1/2	
10153	1-3/4	
10154	2"	
10155	3"	
10156	4"	
10157	5"	
10160	1"	1-1/4
10161	1-1/4	
10162	1-1/2	
10163	1-3/4	
10164	2"	
10165	3"	
10166	4"	
10167	5"	
10170	1"	1-1/2
10171	1-1/4	
10172	1-1/2	
10173	1-3/4	
10174	2"	
10175	3"	
10176	4"	
10177	5"	

PART NUMBER ORDERING SYSTEM

XXXXX - X - XXXX - XX

| | | |
 PART NO. THREAD MATERIAL FINISH

THREAD CODE & DEPTH

THREAD	CODE	A
4-40	0440	1/4
6-32	0632	1/4-3/8

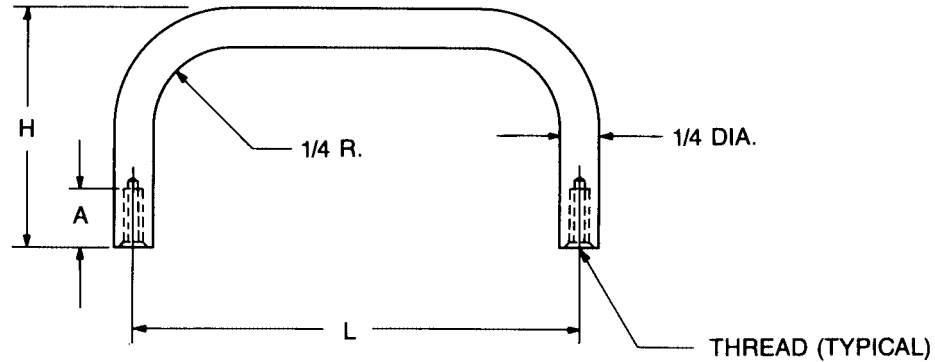
MATERIAL	CODE
Aluminum	A
Brass	B
Stainless Steel	SS
Steel	S

NOTE:

Metric size dimensions and threads available.
Please contact Sales Office.

5 Pasco Hill Road • Cromwell, CT 06416-1093
 Phone: 860-828-0847 • Call Toll Free: 800-243-6032 • Fax: 860-828-0381
 Web Address: <http://www.amatom.com> • E-Mail: sales@amatom.com

1/4" ROUND HANDLES INTERNAL THREADS



PART NO.	L ± 1/64	H ± 1/32
10200	1-1/8	1"
10201	1-1/4	
10202	1-1/2	
10203	1-3/4	
10204	2"	
10205	2-1/4	
10206	2-1/2	
10207	2-3/4	
10208	3"	
10209	4"	
10210	5"	
10215	1-1/2	1-1/4
10216	1-3/4	
10217	2"	
10218	2-1/4	
10219	2-1/2	
10220	2-3/4	
10221	3"	
10222	4"	
10223	5"	
10225	1-1/2	1-1/2
10226	1-3/4	
10227	2"	
10228	2-1/4	
10229	2-1/2	
10230	2-3/4	
10231	3"	
10232	3-1/2	
10233	4"	
10234	4-1/4	
10235	4-1/2	
10236	5"	
10237	6"	

PART NO.	L ± 1/64	H ± 1/32
10240	3"	2"
10241	4"	
10242	5"	
10243	6"	
10245	3"	2-1/2
10246	4"	
10247	5"	
10248	6"	
10250	3"	2-3/4
10251	4"	
10252	5"	
10253	6"	
10255	3"	3"
10256	4"	
10257	5"	
10258	6"	
10260	3"	3-1/2
10261	4"	
10262	5"	
10263	6"	
10265	4"	4"
10266	5"	
10267	6"	
10270	4"	4-1/4
10271	5"	
10272	6"	
10273	7"	
10274	8"	

Refer to page 102 for Finish Codes.
For MS39087 equivalents see page 271.

PART NUMBER ORDERING SYSTEM

XXXXX - X - XXXX - XX

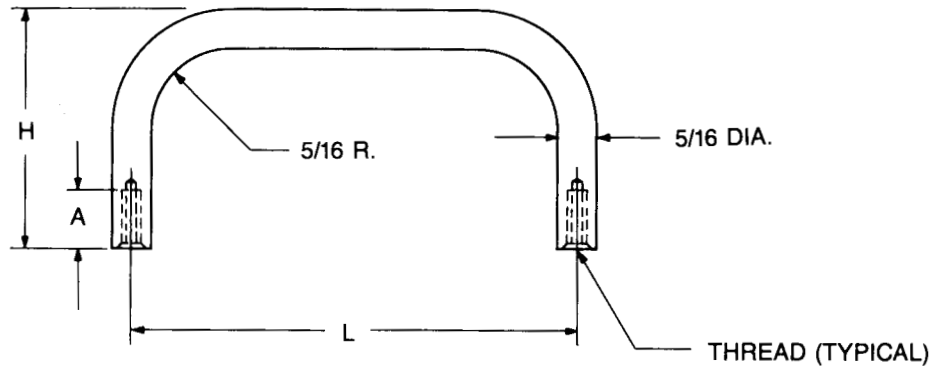
PART NO.	THREAD	FINISH
MATERIAL		FINISH

THREAD CODE & DEPTH		
THREAD	CODE	A
6-32	0632	3/8
8-32	0832	3/8-9/16

MATERIAL	CODE
Aluminum	A
Brass	B
Stainless Steel	SS
Steel	S

NOTE:
Metric size dimensions and threads available.
Please contact Sales Office.

5/16" ROUND HANDLES INTERNAL THREADS



PART NO.	L ± 1/64	H ± 1/32
10300	2"	1"
10301	2-1/2	
10302	3"	
10303	3-1/2	
10304	4"	
10305	4-1/4	
10306	4-1/2	
10307	5"	
10308	6"	
10310	2"	1-1/8
10311	3"	
10312	4"	
10313	4-1/4	
10314	4-9/16	
10315	2"	1-1/4
10316	2-1/2	
10317	3"	
10318	3-1/2	
10319	4"	
10320	2"	1-5/16
10321	2-1/4	
10322	2-1/2	
10323	2-3/4	
10324	2-13/16	
10325	3"	
10326	4"	
10327	4-1/4	
10330	2"	1-3/8
10331	2-1/2	
10332	3"	
10333	4"	
10334	4-1/4	
10335	5"	
10340	2"	1-1/2
10341	2-1/8	
10342	2-1/4	
10343	2-3/8	
10344	2-1/2	
10345	2-3/4	
10346	3"	

PART NO.	L ± 1/64	H ± 1/32
10347	3-1/8	1-1/2
10348	3-1/4	
10349	3-1/2	
10350	4"	
10351	4-1/4	
10352	4-1/2	
10353	4-9/16	
10354	4-5/8	
10355	5"	
10356	5-1/4	
10357	5-1/2	
10358	5-3/4	
10359	6"	
10360	6-7/16	
10361	6-1/2	
10362	7"	
10363	7-1/2	
10364	7-3/4	
10365	8"	
10366	8-1/2	
10367	9"	
10368	9-1/2	
10369	10"	
10375	3"	1-3/4
10376	3-1/2	
10377	4"	
10378	4-1/4	
10379	4-1/2	
10380	4-9/16	
10381	4-5/8	
10382	4-3/4	
10383	5"	
10384	5-1/8	
10385	5-1/4	
10386	5-1/2	
10387	5-3/4	
10388	6"	
10389	6-1/4	
10390	6-7/16	
10391	6-1/2	
10392	6-3/4	

PART NO.	L ± 1/64	H ± 1/32
10393	7"	1-3/4
10394	7-1/4"	
10395	7-1/2"	
10396	7-3/4"	
10397	8"	
10398	9"	
10399	10"	

Continued on next page

Refer to page 102 for Finish Codes.
For MS39087 equivalents see page 271.

PART NUMBER ORDERING SYSTEM

XXXXX - X - XXXX - XX

PART NO. THREAD MATERIAL FINISH

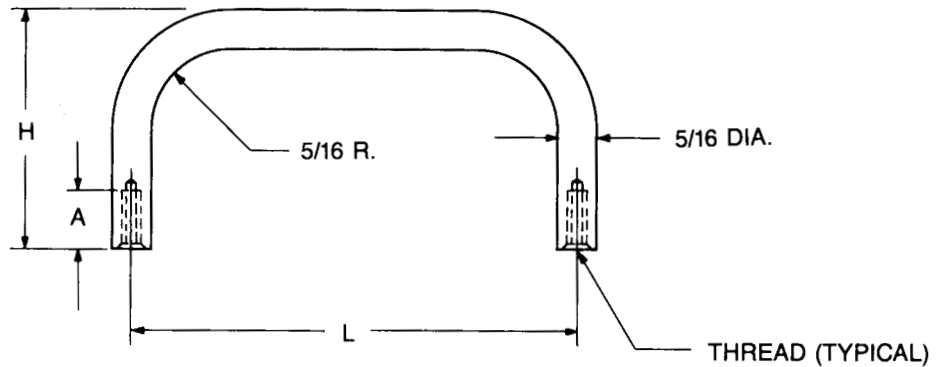
THREAD CODE & DEPTH		
THREAD	CODE	A
8-32	0832	5/16-7/16
10-32	1032	5/16-5/8

MATERIAL	CODE
Aluminum	A
Brass	B
Stainless Steel	SS
Steel	S

NOTE:
Metric size dimensions and threads available. Please contact Sales Office.

5 Pasco Hill Road • Cromwell, CT 06416-1093
Phone: 860-828-0847 • Call Toll Free: 800-243-6032 • Fax: 860-828-0381
Web Address: <http://www.amatom.com> • E-Mail: sales@amatom.com

5/16" ROUND HANDLES INTERNAL THREADS



Continued from previous page

PART NO.	L ± 1/64	H ± 1/32
10401	3"	1-7/8
10402	3-1/4"	
10403	4"	
10404	4-1/4"	
10405	4-1/2"	
10406	5"	
10407	6"	
10410	3"	2"
10411	4"	
10412	5"	
10413	5-1/2"	
10414	6"	
10415	4"	2-1/4
10416	4-1/4"	
10417	6"	
10418	7"	
10419	8"	
10420	9"	
10421	9-1/4"	
10422	10"	
10425	4"	3"
10426	5"	
10427	5-7/16"	
10428	6"	
10429	6-1/2"	
10430	7"	
10431	7-1/2"	
10432	8"	
10433	9"	
10434	10"	
10435	12"	
10438	3"	3-1/2
10439	4"	
10440	5"	
10441	6"	
10442	7"	
10443	8"	
10444	9"	

PART NO.	L ± 1/64	H ± 1/32
10448	3"	4"
10449	4"	
10450	5"	
10451	6"	
10452	7"	
10453	8"	
10454	9"	
10458	4"	5"
10459	5"	
10460	6"	
10461	7"	
10462	8"	
10463	9"	
10464	10"	
10465	11"	
10466	12"	
10470	4"	6"
10471	5"	
10472	6"	
10473	7"	
10474	8"	
10475	9"	
10476	10"	
10477	11"	
10478	12"	
10480	4"	7"
10481	5"	
10482	6"	
10483	7"	
10484	8"	
10485	9"	
10486	10"	
10487	11"	
10488	12"	

Refer to page 102 for Finish Codes.
For MS39087 equivalents see page 271.

PART NUMBER ORDERING SYSTEM

XXXXX - X - XXXX - XX

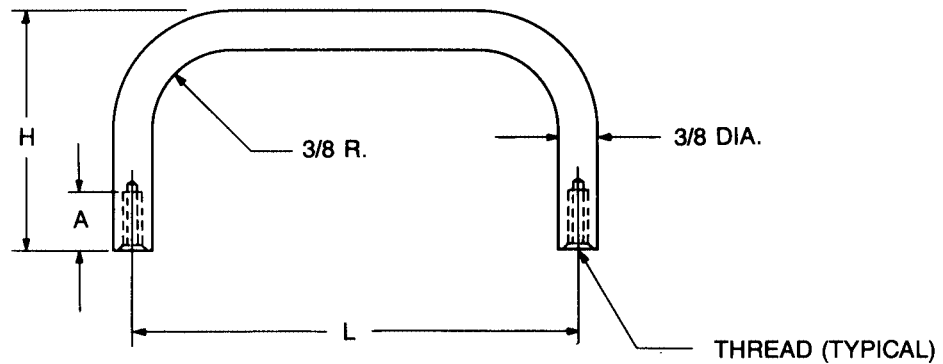
| | | |
 PART NO. THREAD MATERIAL FINISH

THREAD CODE & DEPTH		
THREAD	CODE	A
8-32	0832	5/16-7/16
10-32	1032	5/16-5/8

MATERIAL	CODE
Aluminum	A
Brass	B
Stainless Steel	SS
Steel	S

NOTE:
Metric size dimensions and threads available. Please contact Sales Office.

3/8" ROUND HANDLES INTERNAL THREADS



PART NO.	L ± 1/64	H ± 1/32
10495	2"	
10496	3"	
10497	4"	
10498	5"	1-5/16
10499	6"	
10500	7"	
10501	8"	
10505	2-1/2	
10506	3"	
10507	4"	
10508	4-1/4	
10509	4-1/2	
10510	5"	1-1/2
10511	6"	
10512	7"	
10513	8"	
10514	9"	
10515	10"	
10516	11"	
10517	12"	

PART NO.	L ± 1/64	H ± 1/32
10520	2"	
10521	2-1/2	
10522	3"	
10523	3-1/2	
10524	4"	
10525	4-1/4	
10526	4-1/2	
10527	5"	
10528	5-1/4	1-3/4
10529	5-1/2	
10530	5-3/4	
10531	6"	
10532	6-7/16	
10533	6-1/2	
10534	7"	
10535	8"	
10536	9"	
10537	10"	
10538	12"	

Continued on next page

Refer to page 102 for Finish Codes.
For MS39087 equivalents see page 271.

PART NUMBER ORDERING SYSTEM

XXXXX - X - XXXX - XX

PART NO. THREAD

MATERIAL FINISH

THREAD CODE & DEPTH

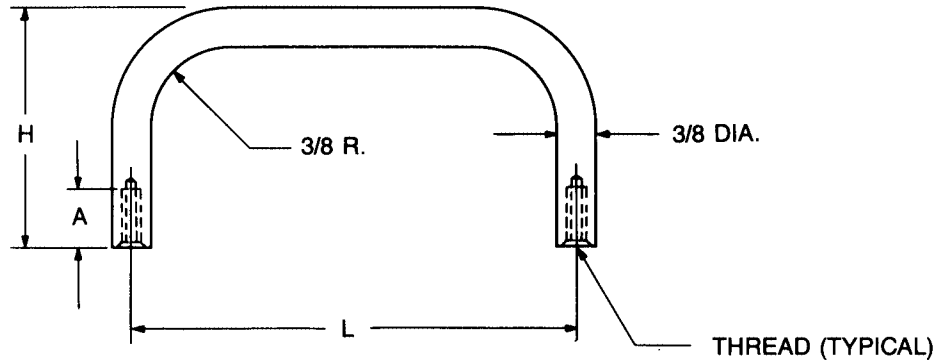
THREAD	CODE	A
8-32	0832	7/16-1/2
10-32	1032	7/16-5/8
1/4-20	2520	3/8-5/8

MATERIAL	CODE
Aluminum	A
Brass	B
Stainless Steel	SS
Steel	S

NOTE:

Metric size dimensions and threads available.
Please contact Sales Office.

3/8" ROUND HANDLES INTERNAL THREADS



Continued from previous page

PART NO.	L ± 1/64	H ± 1/32
10540	3"	
10541	4"	
10542	4-1/4"	
10543	4-1/2"	
10544	5"	
10545	6"	1-7/8"
10546	6-1/2"	
10547	7"	
10548	8"	
10549	9"	
10550	10"	
10551	12"	
10555	3"	
10556	4"	
10557	4-1/4"	
10558	5"	2"
10559	6"	
10560	7"	
10561	7-1/2"	
10562	8"	
10563	9"	
10564	10"	
10567	3"	
10568	3-1/2"	2-3/8"
10569	4"	
10570	4-1/2"	
10571	5"	
10572	6"	

PART NO.	L ± 1/64	H ± 1/32
10575	3"	
10576	4"	
10577	4-1/4"	
10578	5"	3"
10579	6"	
10580	7"	
10581	7-1/2"	
10582	8"	
10583	9"	
10584	10"	
10588	3"	
10589	4"	
10590	4-1/4"	
10591	5"	4"
10592	6"	
10593	7"	
10594	7-1/2"	
10595	8"	
10596	9"	
10597	10"	

Refer to page 102 for Finish Codes.
For MS39087 equivalents see page 271.

PART NUMBER ORDERING SYSTEM

XXXXX - X - XXXX - XX

|
 PART NO. | THREAD |
 |
 MATERIAL | FINISH

THREAD CODE & DEPTH

THREAD	CODE	A
8-32	0832	7/16-1/2
10-32	1032	7/16-5/8
1/4-20	2520	3/8-5/8

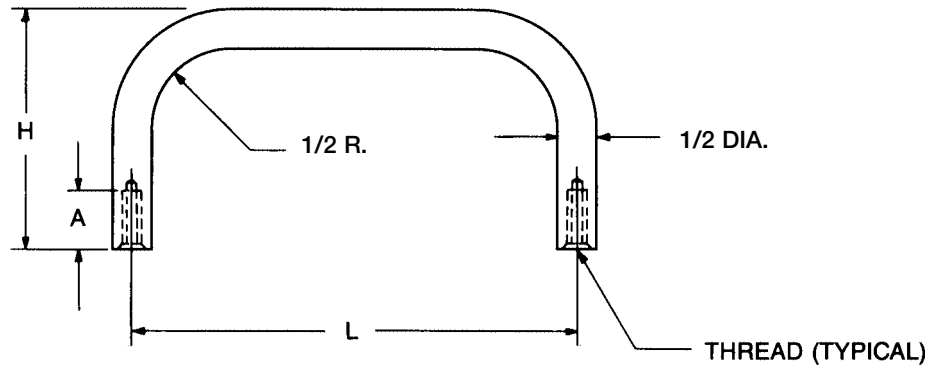
MATERIAL	CODE
Aluminum	A
Brass	B
Stainless Steel	SS
Steel	S

NOTE:

Metric size dimensions and threads available.

Please contact Sales Office.

1/2" ROUND HANDLES INTERNAL THREADS



Refer to page 102 for Finish Codes.

PART NO.	L ± 1/64	H ± 1/32
10615	4"	2"
10616	6"	
10617	8	
10618	10"	

PART NUMBER ORDERING SYSTEM

XXXXX - X - XXXX - XX

PART NO.	THREAD	FINISH
MATERIAL		

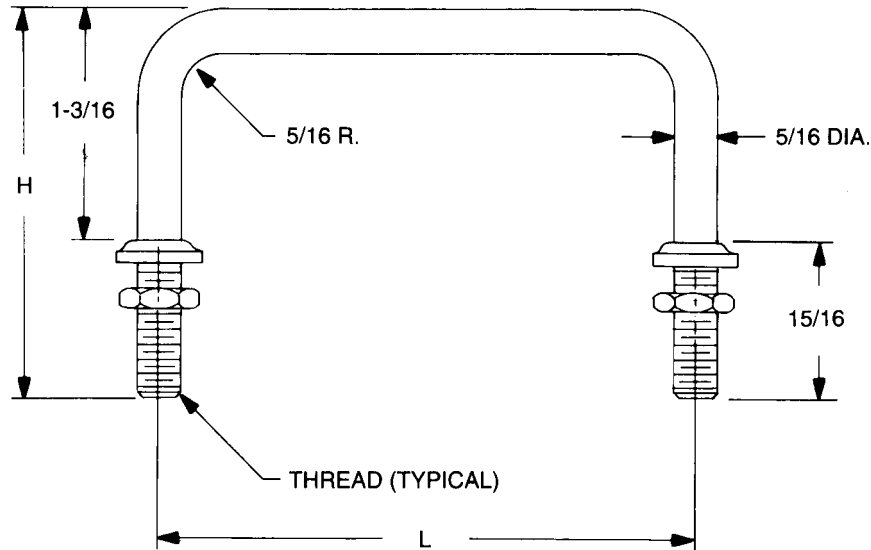
THREAD CODE & DEPTH		
THREAD	CODE	A
10-32	1032	7/16-5/8
1/4-20	2520	3/8-5/8
5/16-18	3118	3/8-5/8

MATERIAL	CODE
Aluminum	A
Brass	B
Stainless Steel	SS
Steel	S

NOTE:
Metric size dimensions and threads available.
Please contact Sales Office.

5 Pasco Hill Road • Cromwell, CT 06416-1093
Phone: 860-828-0847 • Call Toll Free: 800-243-6032 • Fax: 860-828-0381
Web Address: <http://www.amatom.com> • E-Mail: sales@amatom.com

5/16" ROUND HANDLES EXTERNAL THREADS - NO SHOULDER



PART NO.
16012 Series
See Page 102.

Refer to page 102 for Finish Codes.
Supplied with ferrule and nut. (Bulk Package)

PART NO.	L ± 1/64	H ± 1/32
10645	3"	
10646	3-3/4	
10647	4"	
10648	4-1/4	
10649	4-1/2	2-1/8
10650	4-9/16	
10651	5"	
10652	6"	
10653	9"	

PART NUMBER ORDERING SYSTEM

XXXXX - X - XXXX - XX

PART NO.

THREAD

MATERIAL

FINISH

THREAD CODE

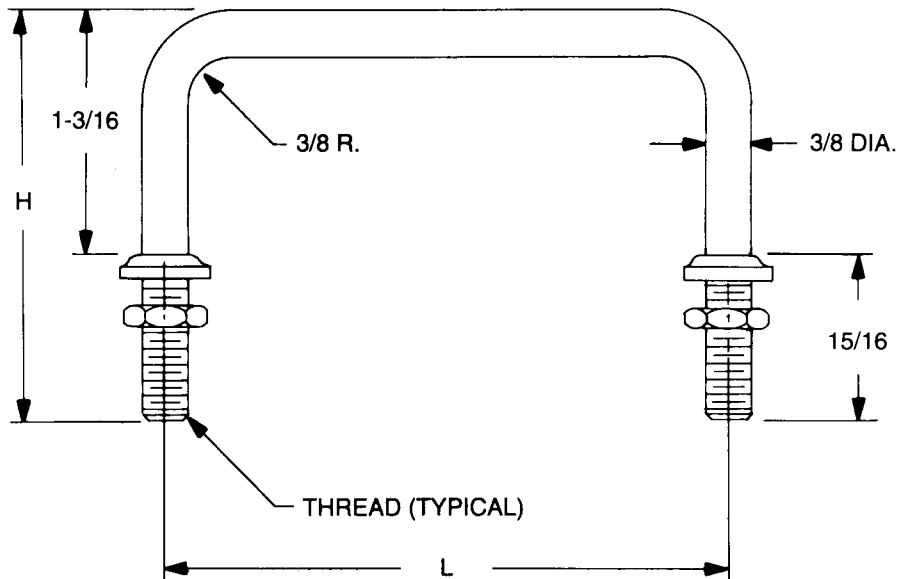
THREAD	CODE
5/16-18	3118

MATERIAL	CODE
Aluminum	A
Brass	B
Stainless Steel	SS
Steel	S

NOTE:
Metric size dimensions and threads available.
Please contact Sales Office.

5 Pasco Hill Road • Cromwell, CT 06416-1093
Phone: 860-828-0847 • Call Toll Free: 800-243-6032 • Fax: 860-828-0381
Web Address: <http://www.amatom.com> • E-Mail: sales@amatom.com

3/8" ROUND HANDLES EXTERNAL THREADS - NO SHOULDER



PART NO.
16012 Series
See Page 169.

Refer to page 102 for Finish Codes.
Supplied with ferrule and nut. (Bulk Package)

PART NO.	L ± 1/64	H ± 1/32
10660	3"	
10661	3-3/4"	
10662	4"	
10663	4-1/4"	2-1/8
10664	4-1/2"	
10665	4-9/16"	
10666	5"	
10667	6"	
10668	6"	

PART NUMBER ORDERING SYSTEM

XXXXX - X - XXXX - XX

PART NO.

THREAD

MATERIAL

FINISH

THREAD CODE

THREAD	CODE
3/8-24	3724

MATERIAL	CODE
Aluminum	A
Brass	B
Stainless Steel	SS
Steel	S

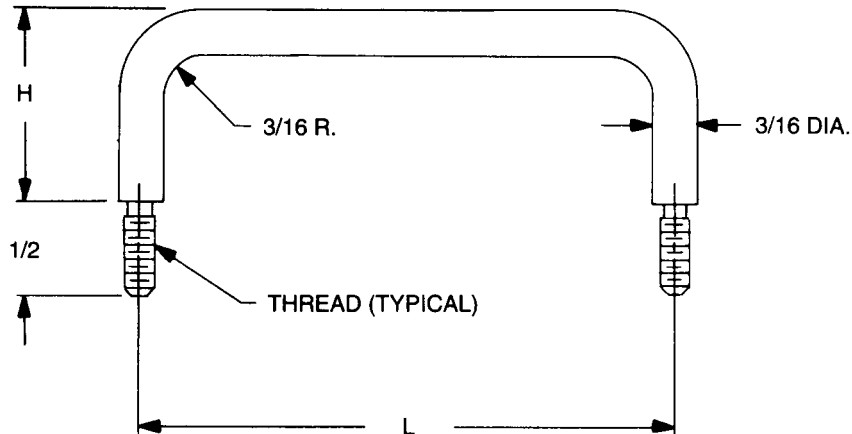
NOTE:

Metric size dimensions and threads available.

Please contact Sales Office.

5 Pasco Hill Road • Cromwell, CT 06416-1093
Phone: 860-828-0847 • Call Toll Free: 800-243-6032 • Fax: 860-828-0381
Web Address: <http://www.amatom.com> • E-Mail: sales@amatom.com

3/16" ROUND HANDLES EXTERNAL THREADS - WITH SHOULDER



Refer to page 102 for Finish Codes.
Nuts and washers not supplied.

PART NO.	L ± 1/64	H ± 1/32
10675	2"	1"
10676	2-1/2"	
10677	3"	
10678	3-1/2"	
10679	4"	
10680	5"	
10681	6"	
10685	2"	1-1/2"
10686	2-1/2"	
10687	3"	
10688	3-1/2"	
10689	4"	
10690	5"	
10691	6"	
10695	2"	2"
10696	2-1/2"	
10697	3"	
10698	3-1/2"	
10699	4"	
10701	5"	
10702	6"	

PART NUMBER ORDERING SYSTEM

XXXXX - X - XXXX - XX

PART NO.	THREAD	FINISH
MATERIAL		

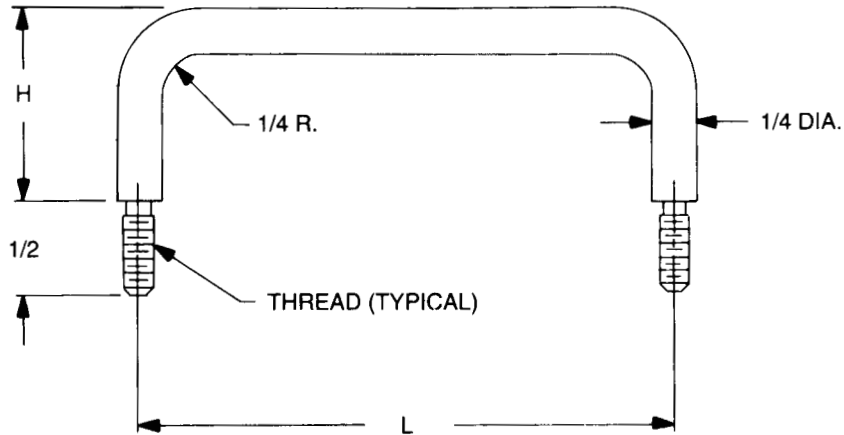
THREAD CODE	
THREAD	CODE
4-40	0440
6-32	0632

MATERIAL	CODE
Aluminum	A
Brass	B
Stainless Steel	SS
Steel	S

NOTE:
Metric size dimensions and threads available.
Please contact Sales Office.

5 Pasco Hill Road • Cromwell, CT 06416-1093
Phone: 860-828-0847 • Call Toll Free: 800-243-6032 • Fax: 860-828-0381
Web Address: <http://www.amatom.com> • E-Mail: sales@amatom.com

1/4" ROUND HANDLES EXTERNAL THREADS - WITH SHOULDER



Refer to page 102 for Finish Codes.
Nuts and washers not supplied.

PART NO.	L ± 1/64	H ± 1/32
10720	2"	1"
10721	2-1/2"	
10722	3"	
10723	3-1/2"	
10724	4"	
10725	5"	
10726	6"	
10730	2"	1-1/2"
10731	2-1/2"	
10732	3"	
10733	3-1/2"	
10734	4"	
10735	5"	
10736	6"	
10740	2"	2"
10741	2-1/2"	
10742	3"	
10743	3-1/2"	
10744	4"	
10745	5"	
10746	6"	

PART NUMBER ORDERING SYSTEM

XXXXX - X - XXXX - XX

PART NO. | THREAD | MATERIAL | FINISH

THREAD CODE

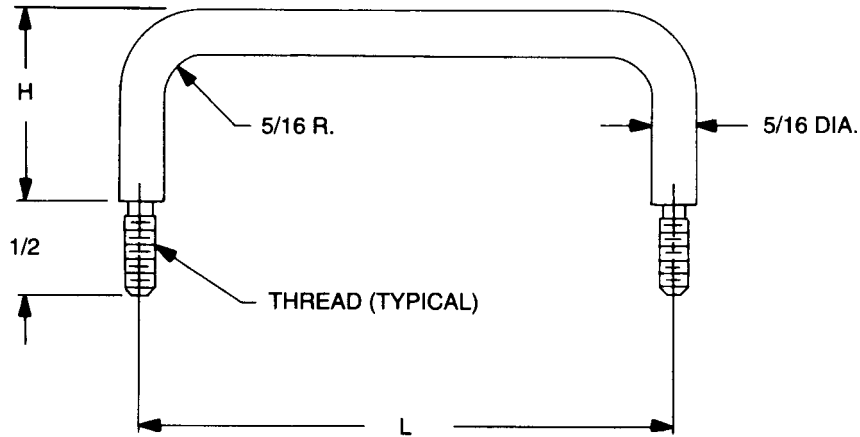
THREAD	CODE
8-32	0832
10-32	1032

MATERIAL	CODE
Aluminum	A
Brass	B
Stainless Steel	SS
Steel	S

NOTE:
Metric size dimensions and threads available.
Please contact Sales Office.

5 Pasco Hill Road • Cromwell, CT 06416-1093
Phone: 860-828-0847 • Call Toll Free: 800-243-6032 • Fax: 860-828-0381
Web Address: <http://www.amatom.com> • E-Mail: sales@amatom.com

5/16" ROUND HANDLES EXTERNAL THREADS - WITH SHOULDER



Refer to page 102 for Finish Codes.
Nuts and washers not supplied.

PART NO.	L ± 1/64	H ± 1/32
10775	2"	
10776	3"	
10777	4"	
10778	4-1/4	
10779	4-1/2	
10780	5"	1-13/16
10781	6"	
10782	7"	
10783	8"	
10784	9"	
10788	2"	
10789	3"	2"
10790	4"	
10793	2"	
10794	3"	
10795	4"	2-1/4
10796	4-1/2	
10797	5"	
10798	6"	

PART NUMBER ORDERING SYSTEM

XXXXX - X - XXXX - XX

| | | |
 PART NO. THREAD MATERIAL FINISH

THREAD CODE

THREAD	CODE
10-32	1032
1/4-20	2520

MATERIAL CODE

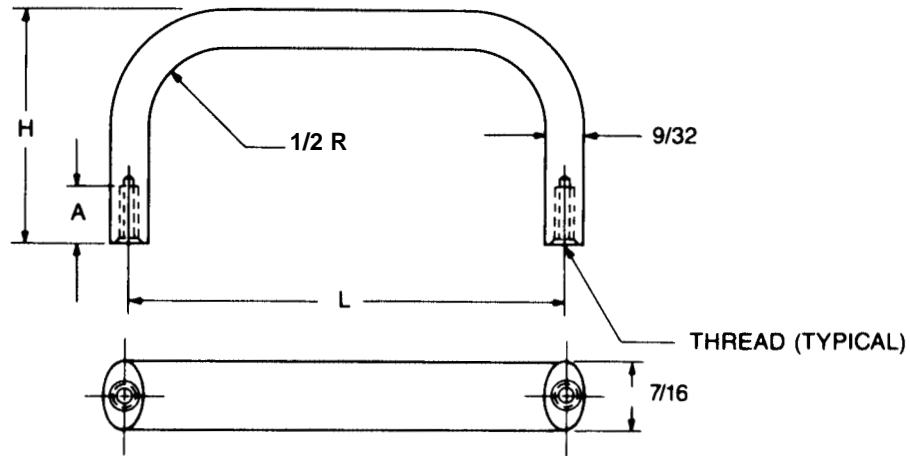
MATERIAL	CODE
Aluminum	A
Brass	B
Stainless Steel	SS
Steel	S

NOTE:

Metric size dimensions and threads available.
Please contact Sales Office.

5 Pasco Hill Road • Cromwell, CT 06416-1093
 Phone: 860-828-0847 • Call Toll Free: 800-243-6032 • Fax: 860-828-0381
 Web Address: <http://www.amatom.com> • E-Mail: sales@amatom.com

7/16" x 9/32" OVAL HANDLES INTERNAL THREADS



Refer to page 102 for Finish Codes.
For MS39087 equivalents see page 271.

PART NO.	L ± 1/64	H ± 1/32
10820	2"	1"
10821	2-1/2"	
10822	3"	
10823	4"	
10824	4-1/4"	
10825	4-1/2"	
10826	4-9/16"	
10827	5"	
10828	6"	
10829	6-7/16"	
10835	2"	1-9/32
10836	2-1/4"	
10837	2-1/2"	
10838	3"	
10839	3-1/2"	
10840	4"	
10841	4-1/4"	
10842	4-1/2"	
10843	4-9/16"	
10844	6"	
10850	2"	1-1/2
10851	2-1/4"	
10852	2-1/2"	
10853	3"	
10854	3-1/2"	
10855	4"	
10856	4-1/4"	
10857	4-1/2"	
10858	4-9/16"	
10859	5"	
10860	6"	

PART NO.	L ± 1/64	H ± 1/32
10865	4"	1-3/4
10866	4-9/16"	
10867	6"	
10868	6-7/16"	
10869	7"	
10870	8"	
10871	9"	
10872	12"	
10876	4"	2"
10877	4-9/16"	
10878	6"	
10879	6-7/16"	
10880	7"	
10881	8"	
10882	9"	
10883	12"	

PART NUMBER ORDERING SYSTEM

XXXXX - X - XXXX - XX

|
 PART NO. | THREAD |
 |
 MATERIAL | FINISH

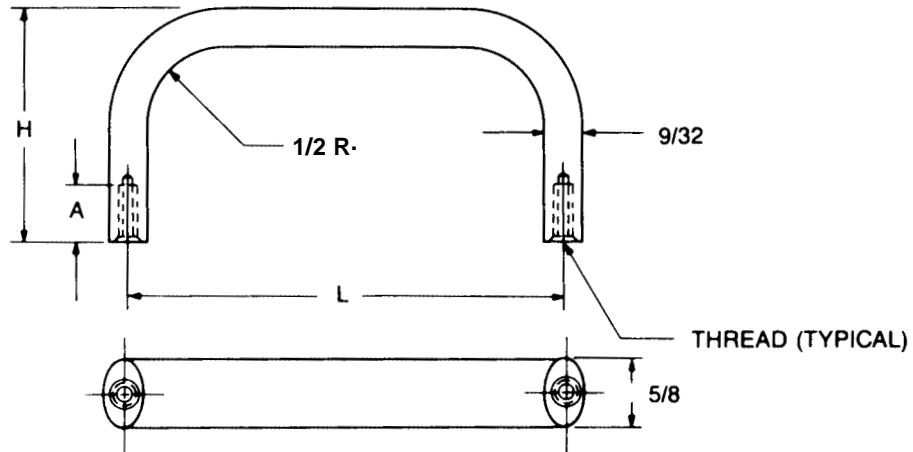
THREAD CODE & DEPTH		
THREAD	CODE	A
8-32	0832	5/16-1/2
10-24	1024	5/16-5/8
10-32	1032	5/16-5/8

MATERIAL	CODE
Aluminum	A
Brass	B
Stainless Steel	SS

NOTE:
Metric size dimensions and threads available.
Please contact Sales Office.

5 Pasco Hill Road • Cromwell, CT 06416-1093
 Phone: 860-828-0847 • Call Toll Free: 800-243-6032 • Fax: 860-828-0381
 Web Address: <http://www.amatom.com> • E-Mail: sales@amatom.com

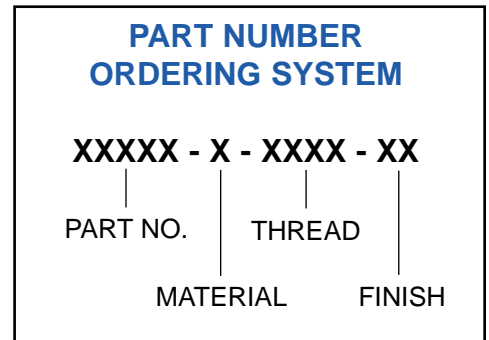
5/8" x 9/32" OVAL HANDLES INTERNAL THREADS



PART NO.	L ± 1/64	H ± 1/32
10910	2-1/2	1"
10911	3"	
10912	4"	
10913	4-1/4	
10914	4-1/2	
10915	4-9/16	
10916	5"	
10917	6"	
10918	6-7/16	
10922	2-1/2	1-9/32
10923	3"	
10924	4"	
10925	4-1/4	
10926	4-1/2	
10927	4-9/16	
10928	5"	
10929	6"	
10930	6-7/16	
10935	2-1/2	
10936	3"	
10937	4"	
10938	4-1/4	
10939	4-1/2	
10940	4-9/16	
10941	5"	
10942	6"	
10943	6-7/16	
10944	7"	
10945	8"	
10946	9"	
10947	9-1/2	

PART NO.	L ± 1/64	H ± 1/32
10955	3"	1-3/4
10956	4"	
10957	4-1/4	
10958	4-1/2	
10959	4-9/16	
10960	5"	
10961	5-1/2	
10962	6"	
10963	6-7/16	
10964	7"	
10965	8"	
10966	8-1/4	
10967	9"	
10968	9-1/2	
10969	10"	
10970	12"	
10975	4-1/2	2"
10976	4-9/16	
10977	5"	
10978	5-1/2	
10979	6"	
10980	7"	
10981	8"	
10982	8-1/4	
10983	8-1/2	
10984	9"	
10985	10"	
10986	12"	
10990	3"	2-1/4
10991	4"	
10992	5"	
10993	6"	
10994	7"	
10995	8"	
10996	9"	

Refer to page 102 for Finish Codes.
For MS39087 equivalents see page 271.



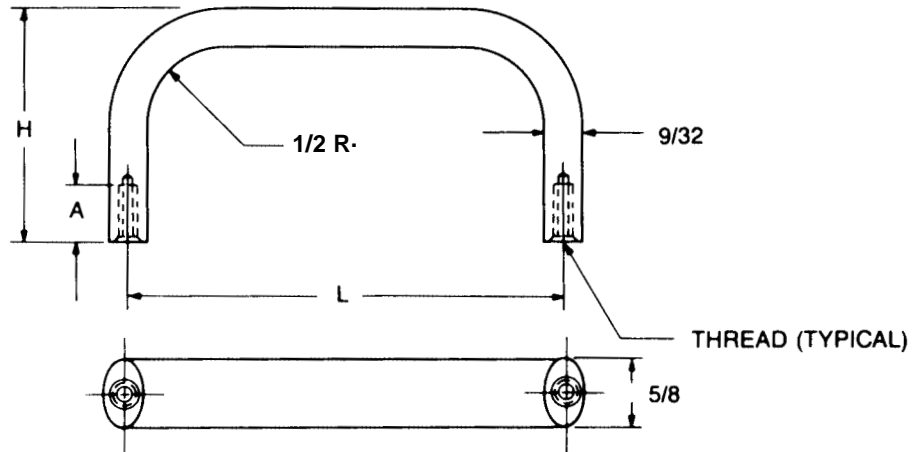
THREAD CODE & DEPTH		
THREAD	CODE	A
8-32	0832	5/16-5/8
10-24	1024	5/16-5/8
10-32	1032	5/16-5/8

MATERIAL	CODE
Aluminum	A
Brass	B
Stainless Steel	SS

NOTE:
Metric size dimensions and threads available.
Please contact Sales Office.

Continued on next page

5/8" x 9/32" OVAL HANDLES INTERNAL THREADS



Continued from previous page

PART NO.	L ± 1/64	H ± 1/32
11000	4"	2-1/2
11001	4-1/2	
11002	4-9/16	
11003	5"	
11004	6"	
11005	7"	
11006	8"	
11007	9"	
11008	10"	
11009	12"	
11015	4-1/2	3
11016	4-9/16	
11017	5"	
11018	6"	
11019	7"	
11020	8"	
11021	9"	
11022	10"	
11023	12"	
11028	4-1/2	4
11029	4-9/16	
11030	5"	
11031	6"	
11032	7"	
11033	8"	
11034	9"	
11035	10"	
11036	12"	

Refer to page 102 for Finish Codes.
For MS39087 equivalents see page 271.

PART NUMBER ORDERING SYSTEM

XXXXX - X - XXXX - XX

PART NO.	MATERIAL	THREAD	FINISH

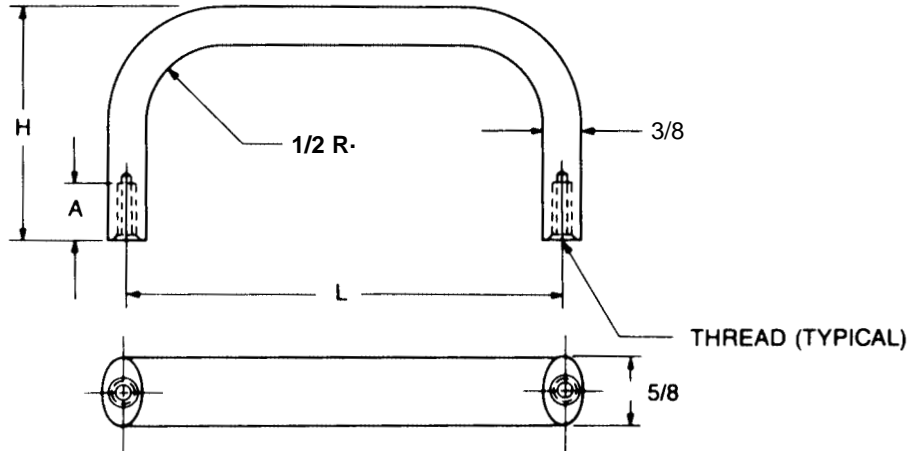
THREAD CODE & DEPTH		
THREAD	CODE	A
8-32	0832	5/16-5/8
10-24	1024	5/16-5/8
10-32	1032	5/16-5/8

MATERIAL	CODE
Aluminum	A
Brass	B
Stainless Steel	SS

NOTE:
Metric size dimensions and threads available.
Please contact Sales Office.

5 Pasco Hill Road • Cromwell, CT 06416-1093
Phone: 860-828-0847 • Call Toll Free: 800-243-6032 • Fax: 860-828-0381
Web Address: <http://www.amatom.com> • E-Mail: sales@amatom.com

5/8" x 3/8" OVAL HANDLES INTERNAL THREADS



Refer to page 102 for Finish Codes.
For MS39087 equivalents see page 271.

PART NUMBER ORDERING SYSTEM

XXXXX - X - XXXX - XX

PART NO.	MATERIAL	THREAD	FINISH

THREAD CODE & DEPTH		
THREAD	CODE	A
8-32	0832	5/16-5/8
10-24	1024	5/16-5/8
10-32	1032	5/16-5/8

MATERIAL	CODE
Aluminum	A
Brass	B

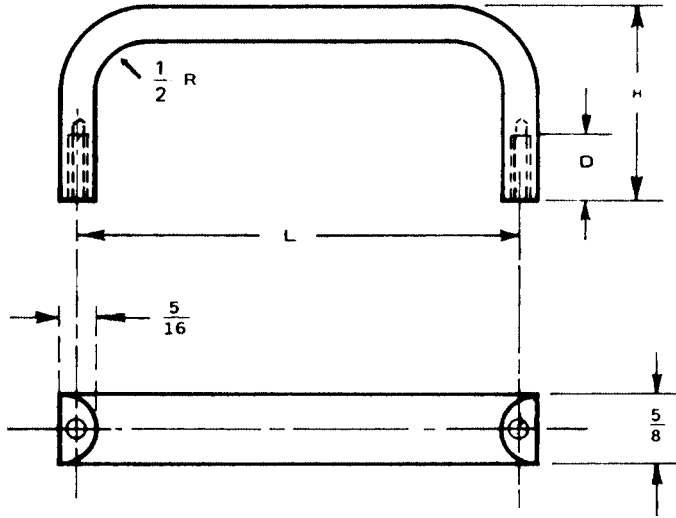
NOTE:
Metric size dimensions and threads available.
Please contact Sales Office.

PART NO.	L ± 1/64	H ± 1/32
11060	2-1/2	1-9/32
11061	3"	
11062	4"	
11063	4-1/4	
11064	4-1/2	
11065	4-9/16	
11066	5"	
11067	6"	
11068	7"	
11069	8"	
11070	9"	
11075	2-1/2	1-1/2
11076	3"	
11077	4"	
11078	4-1/4	
11079	4-1/2	
11080	4-9/16	
11081	5"	
11082	6"	
11083	7"	
11084	8"	
11085	9"	
11090	3"	1-3/4
11091	4"	
11092	4-1/4	
11093	4-1/2	
11094	4-9/16	
11095	5"	
11096	5-1/2	
11097	6"	
11098	6-7/16	
11099	7"	
11100	8"	
11101	9"	
11102	10"	
11103	12"	
11108	4-1/2	2"
11109	4-9/16	
11110	5"	
11111	6"	

PART NO.	L ± 1/64	H ± 1/32
11112	7"	2"
11113	8"	
11114	9"	
11115	10"	
11116	12"	
11120	2-1/2	
11121	3"	
11122	4"	
11123	4-1/2	
11124	5"	
11125	5-1/2	
11126	6"	
11127	6-1/2	
11128	7"	
11129	7-1/2	
11130	8"	2-1/2
11131	8-1/2	
11132	9"	
11133	9-1/2	
11134	10"	
11135	4-1/2	
11136	4-9/16	
11137	5"	
11138	6"	
11139	7"	
11140	8"	
11141	9"	
11142	10"	
11143	12"	
11145	4-1/2	3"
11146	4-9/16	
11147	5"	
11148	6"	
11149	7"	
11150	8"	
11151	9"	
11152	10"	
11153	12"	

5 Pasco Hill Road • Cromwell, CT 06416-1093
Phone: 860-828-0847 • Call Toll Free: 800-243-6032 • Fax: 860-828-0381
Web Address: <http://www.amatom.com> • E-Mail: sales@amatom.com

5/8" x 5/16" HALF ROUND HANDLES INTERNAL THREADS



- Custom or Special Handles to meet specific requirements can be supplied.
- Tolerances See Page 101.
- Refer to Page 102 for Finish Codes.
- Depth of Thread (D) See Chart B Page 101.

PART NO.	L ± 1/64	H ± 1/32
11230	3"	1-9/32
11231	4"	
11232	4-9/16	
11233	5"	
11234	6"	
11235	6-7/16	
11236	7"	
11237	8"	
11238	9"	
11240	3"	1-1/2
11241	4"	
11242	4-9/16	
11243	5"	
11244	6"	
11245	6-7/16	
11246	7"	
11247	8"	
11248	9"	
11250	3"	1-3/4
11251	4"	
11252	4-9/16	
11253	5"	
11254	6"	
11255	6-7/16	
11256	7"	
11257	8"	
11258	9"	
11260	3"	2"
11261	4"	
11262	4-9/16	
11263	5"	
11264	6"	
11265	6-7/16	
11266	7"	
11267	8"	
11268	9"	

PART NUMBER ORDERING SYSTEM

XXXXX - X - XXXX - XX

PART NO.

THREAD

MATERIAL

FINISH

THREAD CODE

THREAD	CODE
10-24	1024
10-32	1032

MATERIAL

CODE

Aluminum
Brass

A
B

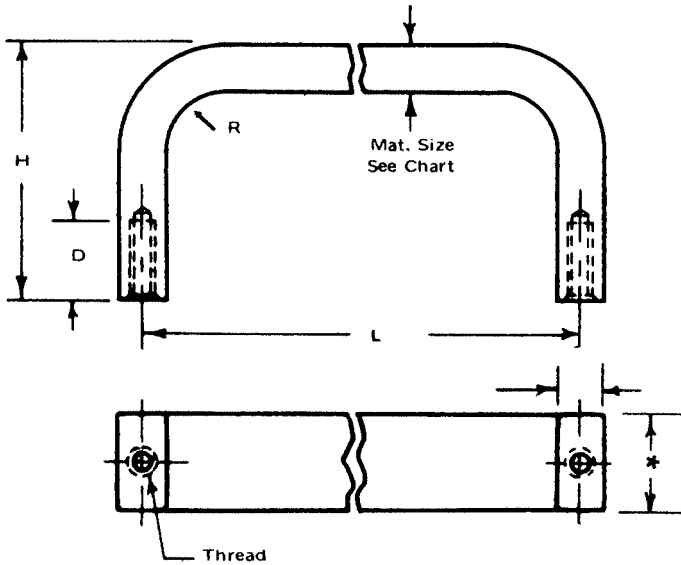
NOTE:

Metric size dimensions and threads available.

Please contact Sales Office.

5 Pasco Hill Road • Cromwell, CT 06416-1093
 Phone: 860-828-0847 • Call Toll Free: 800-243-6032 • Fax: 860-828-0381
 Web Address: <http://www.amatom.com> • E-Mail: sales@amatom.com

1/2" x 3/16" RECTANGULAR HANDLES INTERNAL THREADS



- Custom or Special Handles to meet specific requirements can be supplied.
- Tolerances See Page 101.
- Refer to Page 102 for Finish Codes.
- Depth of Thread (D) See Chart B Page 101.

PART NO.	L ± 1/64	H ± 1/32
11300	2"	1-1/2
11301	3"	
11302	4"	
11303	5"	
11304	6"	
11305	7"	
11306	8"	
11307	9"	
11308	10"	
11310	2"	1-3/4
11311	3"	
11312	4"	
11313	5"	
11314	6"	
11315	7"	
11316	8"	
11317	9"	
11318	10"	
11320	2"	2"
11321	3"	
11322	4"	
11323	5"	
11324	6"	
11325	7"	
11326	8"	
11327	9"	
11328	10"	

PART NUMBER ORDERING SYSTEM

XXXXX - X - XXXX - XX

PART NO. | THREAD | MATERIAL | FINISH

THREAD CODE

THREAD	CODE
4-40	0440
6-32	0632

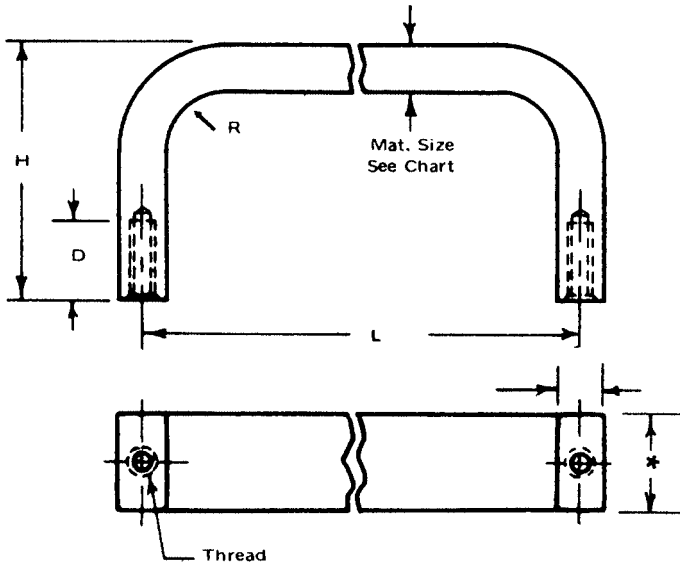
MATERIAL CODE

MATERIAL	CODE
Aluminum	A
Brass	B

NOTE:
Metric size dimensions and threads available.
Please contact Sales Office.

5 Pasco Hill Road • Cromwell, CT 06416-1093
 Phone: 860-828-0847 • Call Toll Free: 800-243-6032 • Fax: 860-828-0381
 Web Address: <http://www.amatom.com> • E-Mail: sales@amatom.com

1/2" x 1/4" RECTANGULAR HANDLES INTERNAL THREADS



- Custom or Special Handles to meet specific requirements can be supplied.
- Tolerances See Page 101.
- Refer to Page 102 for Finish Codes.
- Depth of Thread (D) See Chart B Page 101.

PART NO.	L ± 1/64	H ± 1/32
11350	2"	1-1/2
11351	3"	
11352	4"	
11353	5"	
11354	6"	
11355	7"	
11356	8"	
11357	9"	
11358	10"	
11360	2"	1-3/4
11361	3"	
11362	4"	
11363	5"	
11364	6"	
11365	7"	
11366	8"	
11367	9"	
11368	10"	
11370	2"	2"
11371	3"	
11372	4"	
11373	5"	
11374	6"	
11375	7"	
11376	8"	
11377	9"	
11378	10"	

PART NUMBER ORDERING SYSTEM

XXXXX - X - XXXX - XX

| | | |
 PART NO. THREAD MATERIAL FINISH

THREAD CODE

THREAD	CODE
6-32	0632
8-32	0832

MATERIAL CODE

MATERIAL	CODE
Aluminum	A
Brass	B

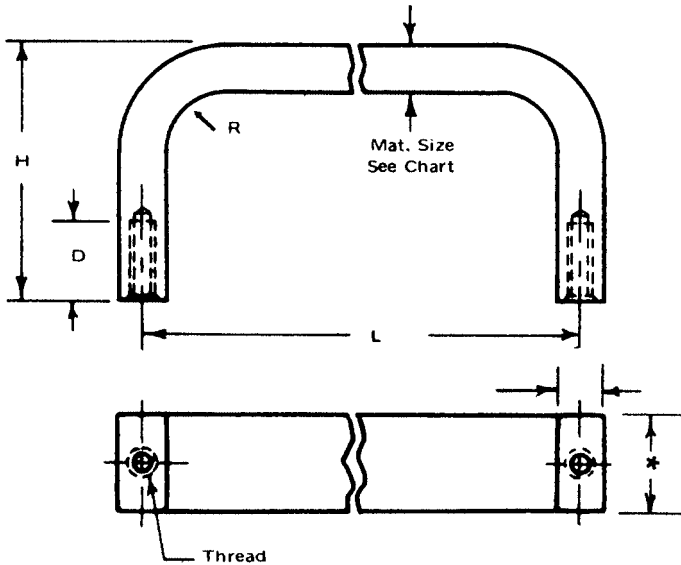
NOTE:

Metric size dimensions and threads available.

Please contact Sales Office.

5 Pasco Hill Road • Cromwell, CT 06416-1093
 Phone: 860-828-0847 • Call Toll Free: 800-243-6032 • Fax: 860-828-0381
 Web Address: <http://www.amatom.com> • E-Mail: sales@amatom.com

1/2" x 5/16" RECTANGULAR HANDLES INTERNAL THREADS



- Custom or Special Handles to meet specific requirements can be supplied.
- Tolerances See Page 101.
- Refer to Page 102 for Finish Codes.
- Depth of Thread (D) See Chart B Page 101.

PART NO.	L ± 1/64	H ± 1/32
11400	2"	
11401	3"	
11402	4"	
11403	5"	
11404	6"	1"
11405	7"	
11406	8"	
11407	9"	
11408	10"	
11410	2"	
11411	3"	
11412	4"	
11413	5"	
11414	6"	1-1/4
11415	7"	
11416	8"	
11417	9"	
11418	10"	
11420	2"	
11421	3"	
11422	4"	
11423	5"	
11424	6"	1-1/2
11425	7"	
11426	8"	
11427	9"	
11428	10"	

PART NO.	L ± 1/64	H ± 1/32
11430	2"	
11431	3"	
11432	4"	
11433	5"	
11434	6"	1-3/4
11435	7"	
11436	8"	
11437	9"	
11438	10"	
11440	2"	
11441	3"	
11442	4"	
11443	5"	
11444	6"	2"
11445	7"	
11446	8"	
11447	9"	
11448	10"	

PART NUMBER ORDERING SYSTEM

XXXXX - X - XXXX - XX

PART NO.	MATERIAL	THREAD	FINISH

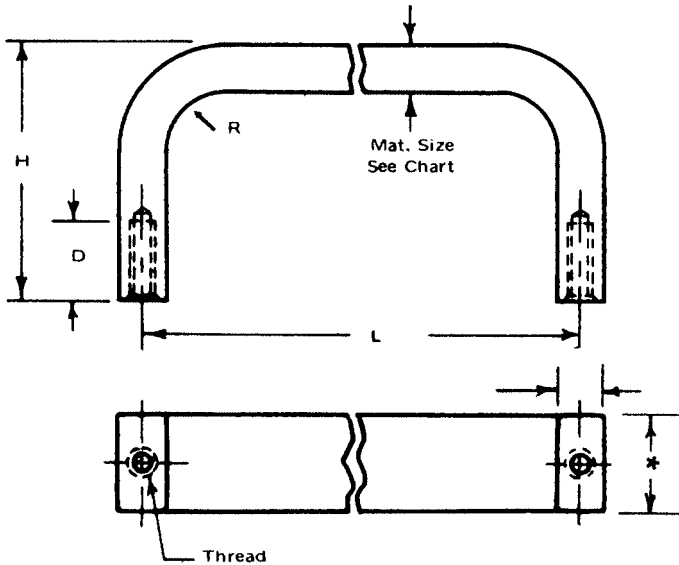
THREAD CODE	
THREAD	CODE
8-32	0832
10-32	1032

MATERIAL	CODE
Aluminum	A
Brass	B

NOTE:
Metric size dimensions and threads available.
Please contact Sales Office.

5 Pasco Hill Road • Cromwell, CT 06416-1093
Phone: 860-828-0847 • Call Toll Free: 800-243-6032 • Fax: 860-828-0381
Web Address: <http://www.amatom.com> • E-Mail: sales@amatom.com

5/8" x 1/4" RECTANGULAR HANDLES INTERNAL THREADS



- Custom or Special Handles to meet specific requirements can be supplied.
- Tolerances See Page 101.
- Refer to Page 102 for Finish Codes.
- Depth of Thread (D) See Chart B Page 101.

PART NUMBER ORDERING SYSTEM

XXXXX - X - XXXX - XX

PART NO. | MATERIAL | THREAD | FINISH

PART NO.	L ± 1/64	H ± 1/32
11475	2"	1"
11476	2-1/2"	
11477	3"	
11478	4"	
11479	4-1/4"	
11480	4-1/2"	
11481	4-9/16"	
11482	5"	
11483	6"	
11484	7"	
11485	8"	
11486	9"	
11487	10"	
11490	2"	
11491	3"	
11492	4"	
11493	5"	
11494	6"	
11495	7"	
11496	8"	
11497	9"	
11498	10"	
11500	2"	1-5/16"
11501	2-1/2"	
11502	3"	
11503	4"	
11504	4-1/4"	
11505	4-1/2"	
11506	4-9/16"	
11507	5"	
11508	6"	
11509	7"	
11510	8"	
11511	9"	
11512	10"	

PART NO.	L ± 1/64	H ± 1/32
11515	3"	1-1/2"
11516	4"	
11517	4-1/4"	
11518	4-1/2"	
11519	4-9/16"	
11520	6"	
11521	6-7/16"	
11522	7"	
11523	8"	
11524	9"	
11525	10"	
11530	4"	1-3/4"
11531	4-1/4"	
11532	4-1/2"	
11533	4-9/16"	
11534	6"	
11535	6-7/16"	
11536	6-1/2"	
11537	7"	
11538	8"	
11439	9"	
11540	10"	
11545	4-1/2"	2"
11546	6"	
11547	7"	
11548	8"	
11549	9"	
11550	10"	
11555	4-1/2"	2-1/2"
11556	6"	
11557	7"	
11558	8"	
11559	9"	
11560	10"	

PART NO.	L ± 1/64	H ± 1/32
11565	4-1/2"	3"
11566	6"	
11567	7"	
11568	8"	
11569	9"	
11570	10"	
11575	4-1/2"	4"
11576	6"	
11577	7"	
11578	8"	
11579	9"	
11580	10"	

THREAD CODE

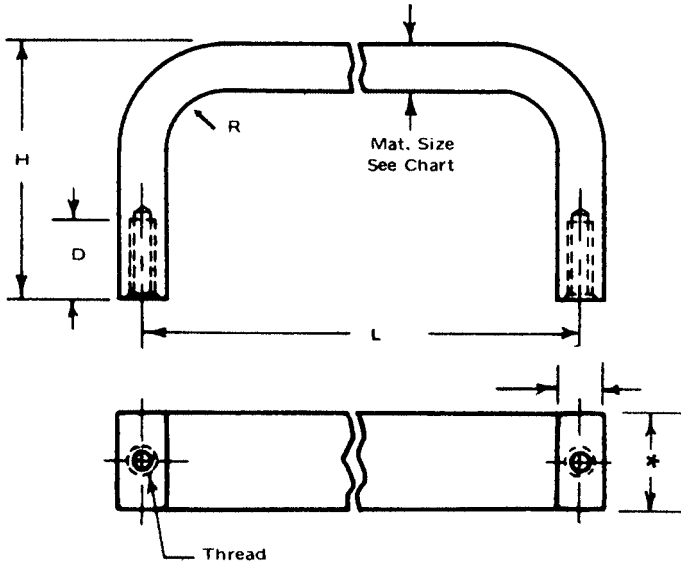
THREAD	CODE
6-32	0632
8-32	0832

MATERIAL	CODE
Aluminum	A
Brass	B

NOTE:
Metric size dimensions and threads available.
Please contact Sales Office.

5 Pasco Hill Road • Cromwell, CT 06416-1093
 Phone: 860-828-0847 • Call Toll Free: 800-243-6032 • Fax: 860-828-0381
 Web Address: <http://www.amatom.com> • E-Mail: sales@amatom.com

1" x 1/4" RECTANGULAR HANDLES INTERNAL THREADS



- Custom or Special Handles to meet specific requirements can be supplied.
- Tolerances See Page 101.
- Refer to Page 102 for Finish Codes.
- Depth of Thread (D) See Chart B Page 101.

PART NO.	L ± 1/64	H ± 1/32
11600	2"	
11601	3"	
11602	4"	
11603	5"	
11604	6"	1"
11605	7"	
11606	8"	
11607	9"	
11608	10"	
11610	4"	
11611	5"	
11612	6"	1-1/4
11613	7"	
11614	8"	
11615	9"	
11616	10"	
11620	2"	
11621	3"	
11622	4"	
11623	5"	1-1/2
11624	6"	
11625	7"	
11626	8"	
11627	9"	
11628	10"	

PART NO.	L ± 1/64	H ± 1/32
11630	2"	
11631	3"	
11632	4"	
11633	5"	
11634	6"	2"
11635	7"	
11636	8"	
11637	9"	
11638	10"	
11640	2"	
11641	3"	
11642	4"	
11643	5"	
11644	6"	3"
11645	7"	
11646	8"	
11647	9"	
11648	10"	
11650	2"	
11651	3"	
11652	4"	
11653	5"	
11654	6"	4"
11655	7"	
11656	8"	
11657	9"	
11658	10"	

PART NUMBER ORDERING SYSTEM

XXXXX - X - XXXX - XX

| | | |
 PART NO. THREAD FINISH
 | | |
 MATERIAL FINISH

THREAD CODE

THREAD	CODE
6-32	0632
8-32	0832

MATERIAL CODE

MATERIAL	CODE
Aluminum	A
Brass	B

NOTE:
Metric size dimensions and threads available.
Please contact Sales Office.

5 Pasco Hill Road • Cromwell, CT 06416-1093
 Phone: 860-828-0847 • Call Toll Free: 800-243-6032 • Fax: 860-828-0381
 Web Address: <http://www.amatom.com> • E-Mail: sales@amatom.com