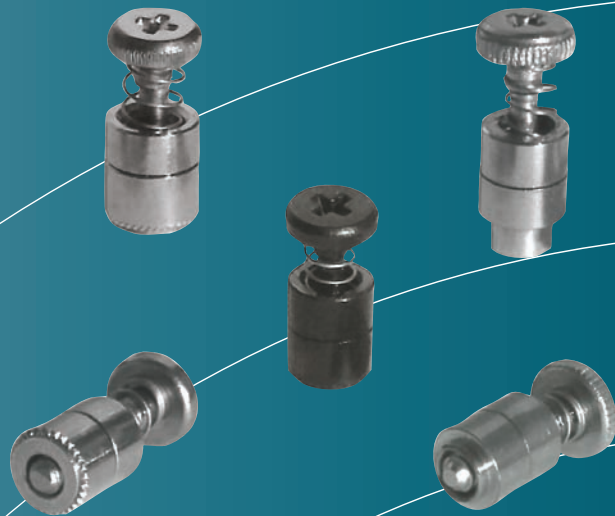




**QUALITY FASTENERS™**

# **MM™ Series Miniature Captive Screws Designer's Guide**

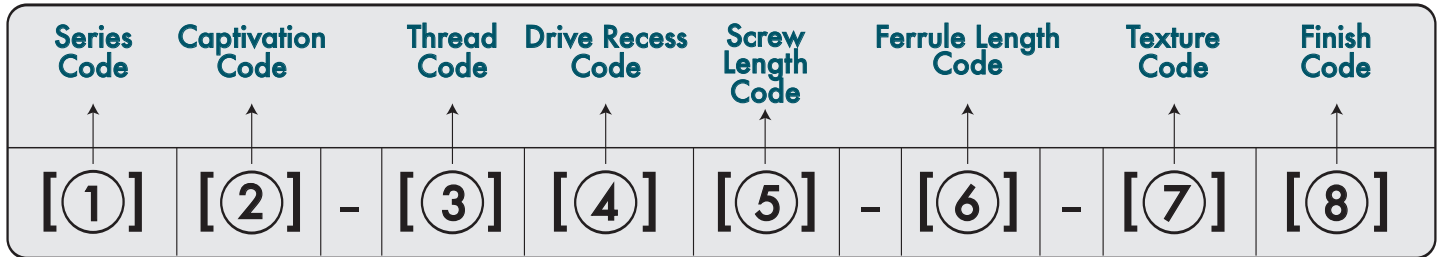


# MM™ Series Miniature Captive Fasteners

## Features & Benefits

- Standard Stainless Steel material provides superior strength and corrosion resistance over competitive products made from carbon steel
- Small footprint for fastening in limited-space applications
- Tool or finger actuation
- Multiple drives, thread sizes, textures and finishes available
- Custom lengths, materials and sizes available upon request

## Matdan® Part Number Callout



<b>1</b> Product Series	Code
Retractable Captive Screws	MM

<b>2</b> Captivation Options*	
<b>P</b>	PRESS - IN
<b>F</b>	FLARE - IN

<b>3</b> Thread Options*	
<b>04</b>	4 - 40
<b>06</b>	6 - 32
<b>M3</b>	3 mm x .5-6G
<b>M4</b>	4 mm x .7-6G

<b>4</b> Drive Recess Options		
	<b>P</b>	Phillips
	<b>S</b>	Slotted
	<b>T</b>	Six Lobe
	<b>C</b>	Combo Slot / Phillips
	<b>E</b>	Combo Six Lobe / Slot

<b>5</b> Screw Length Options
See Chart Below

<b>6</b> Ferrule Length Options
See Chart Below

<b>7</b> Texture Code
<b>S</b> Smooth
<b>K</b> Full Knurl

<b>8</b> Finish Code
<b>B</b> Black
<b>N</b> Natural

## Material

Screw: 400 Series Stainless Steel  
Spring: 300 Series Stainless Steel Passivated  
Standoff: 300 Series Stainless Steel

## Specifications

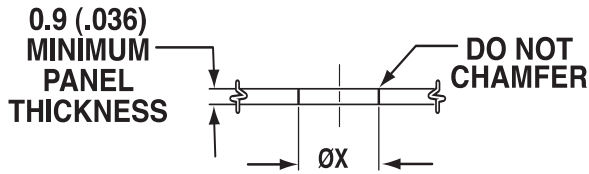
Type	Thread Size	Panel Thickness												Panel Preparation			Part Number <small>(See Callout to Select Items in Parenthesis)</small>		
		Min	Max	A	B	C	D	E	F	G	H	P1	P2	X	Y	Z			
Press-in	4-40	0.9 (.036)	N/A	14	7	9.6	5.5	6.4	7.9 (.31)	2.5	0.5	0.9 (.036)	5.3 (.21)	5.6	N/A	3	MMP-04 (Drive) 1- 1 - (Texture) (Finish/Mt'I)		
																			MMP-04 (Drive) 3- 1 - (Texture) (Finish/Mt'I)
	6-32			15.5	8	10.4	6.3	7	8.6 (.34)	2.5	0.7	0.9 (.036)	6.1 (.24)	6.4	N/A	3.7	MMP-06 (Drive) 1- 1 - (Texture) (Finish/Mt'I)		
																			MMP-06 (Drive) 3- 1 - (Texture) (Finish/Mt'I)
Flare-in	M3			14	7	9.6	5.5	6.4	7.9 (.31)	2.5	0.6	0.9 (.036)	5.3 (.21)	5.6	N/A	3.2	MMP-M3 (Drive) 1- 1 - (Texture) (Finish/Mt'I)		
																	MMP-M3 (Drive) 3- 1 - (Texture) (Finish/Mt'I)		
	M4			16	9.4	10.8	7.9	8.7	8.6 (.34)	3	0.7	0.9 (.036)	6.1 (.24)	8.0	N/A	4.4	MMP-M4 (Drive) 1- 1 - (Texture) (Finish/Mt'I)		
																	MMP-M4 (Drive) 3- 1 - (Texture) (Finish/Mt'I)		
Press-in	4-40	0.8 (.031)	2.4 (.094)	14	7	9.6	4.6	6.4	1 (.041)	2.5	0.5	0.8	5.3	4.8	0.4 (.016)	3	MMF-04 (Drive) 1- 1 - (Texture) (Finish/Mt'I)		
		2.4 (.095)	4 (.156)														MMF-04 (Drive) 1- 3 - (Texture) (Finish/Mt'I)		
	6-32	1.5 (.058)	3.2 (.125)	15	8	9.6	5.3	7	1.8 (.071)	2.5	0.7	1.8	6.8	5.4	0.4 (.016)	3.6	MMF-M3 (Drive) 1- 1 - (Texture) (Finish/Mt'I)		
		3.2 (.126)	4.7 (.187)														MMF-M3 (Drive) 1- 3 - (Texture) (Finish/Mt'I)		
	M3	0.8 (.031)	2.4 (.094)	14	7	9.6	4.6	6.4	1 (.041)	2.5	0.6	0.8	5.3	4.8	0.4 (.016)	3	MMF-M3 (Drive) 1- 1 - (Texture) (Finish/Mt'I)		
		2.4 (.095)	4 (.156)														MMF-M3 (Drive) 1- 3 - (Texture) (Finish/Mt'I)		
	M4	1.5 (.058)	3.21 (.125)	15.2	9.4	10.1	6.7	8.6	1.8 (.07)	3	0.7	1.8	6.8	6.8	0.4	4.2	MMF-M4 (Drive) 1- 1 - (Texture) (Finish/Mt'I)		
																		MMF-M4 (Drive) 1- 3 - (Texture) (Finish/Mt'I)	

\*Also available in Floating and PC Board styles as well as custom lengths, materials and sizes (up to 1/4-20 and M6). Contact factory for details.

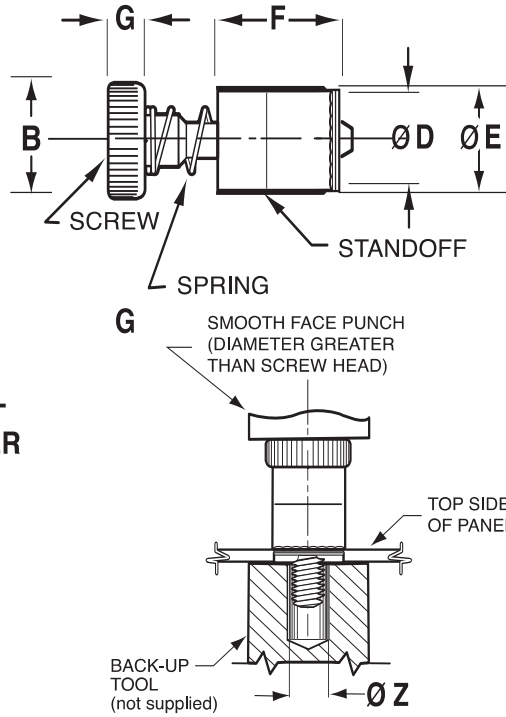
## Press in

### Installation Instructions

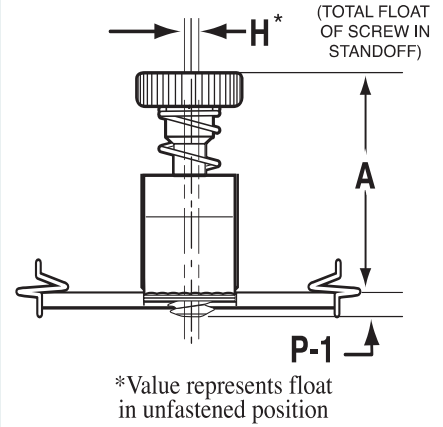
1. Prepare installation hole for correct thread size\* (leave the hole edges sharp - DO NOT CHAMFER)
2. Press-in captive screw as shown. Assure parallel surfaces on the punch and back up tool.



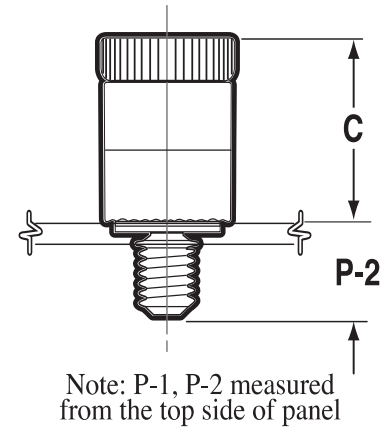
\*Recommended minimum distance from edge of panel to center line of hole is  $1.5 \times \varnothing X$  for press-in version.



### Unfastened - Press-In



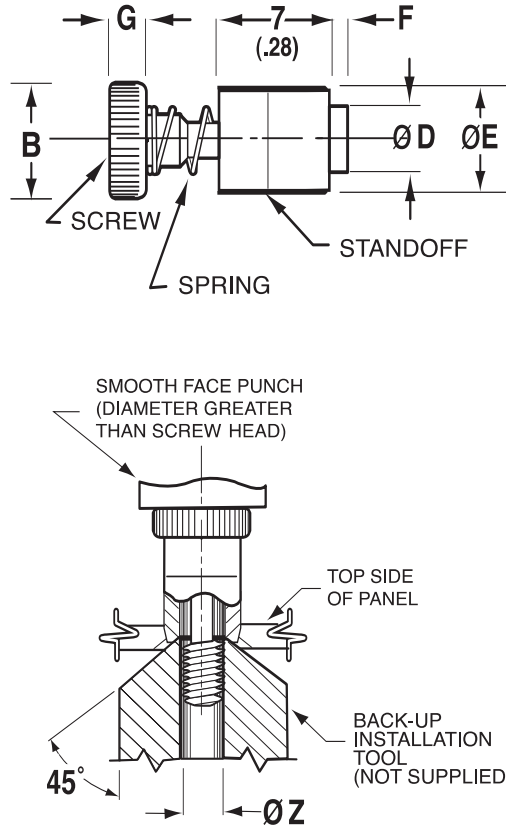
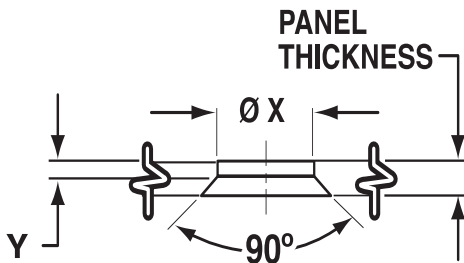
### Fastened - Press-In



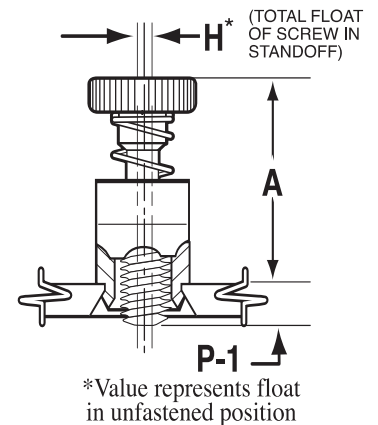
## Flare In

### Installation Instructions

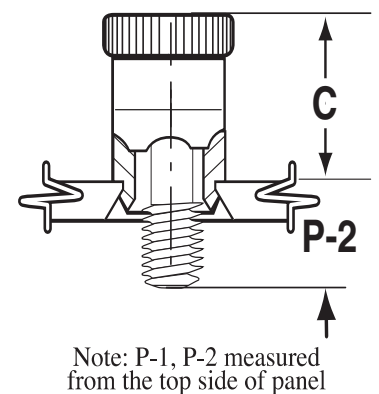
1. Prepare installation hole for correct thread size\*
2. Use minimal force to flare standoff. Parallel surface needed on the punch and back-up tool.



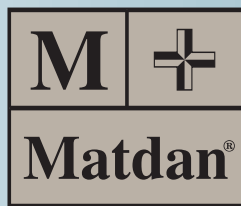
### Unfastened - Flare-In



### Fastened - Flare-In



\*Flaring tool required for proper installation. Available upon request.



Standard Products	Installation Styles				Replaces Southco®	Replaces PEM®
	Press-In	Flare-In	Floating	PC Board		
<b>MCT™ Series</b> Retractable Captive Screws	MCP™	MCFT™	MCL™	MCB™	47	PF11™ PF12™ PF13™ PF14™
<b>MPT™ Series</b> Retractable Captive Screws	MPP™	MPFT™	MPL™	MPB™	–	PF30™ PF31™ PF32™ PF50™ PF60™
<b>MM™ Series</b> “Low Head” Miniature Retractable Screws	MMP™	MMFT™	MML™	MMB™	52	PFS2™ PFC2™
<b>MST™ Series</b> “High Head” Miniature Retractable Screws	MSPT™	MSFT™	MSL™	MSB™	52	–
<b>MFT™ Series</b> Flush Mount Captive Screws	√	–	–	–	F5	PF10
<b>Spring Loaded Plungers</b>	√	√	–	√	56	PTL2
<b>MFL™ Product Series</b> “Speed Lead”™ Captive Screws					09 12	–
<b>SLS™ “Speed Latch” System</b>					–	–
<b>MTS™ Series</b> “Snap-In”™ Captive Screws					–	–
<b>Q™ Series</b> Quarter-Turn Fasteners & Receptacles					81 82 85	–

®Southco is a registered trademark of Southco, Inc. PF11, PF12, PF13, PF14, PF30, PF31, PF32, PF50, PF60, PFC, PFC2 & ®PEM are trademarks of Penn Engineering & Manufacturing Corp.

<b>Headquarters:</b> <b>Matdan Corporation</b> Cincinnati, Ohio 45242, USA Tel: 513 - 794 - 0500 Fax: 513 - 794 - 0651 E-mail: sales@matdanfasteners.com	<b>China Company:</b> <b>Matdan (Ningbo)</b> <b>Specialty Hardware Co., Ltd.</b> Ningbo, Zhejiang Province, China 315803 E-mail: sales_cn@matdanfasteners.com
<a href="http://www.matdanfasteners.com">www.matdanfasteners.com</a>	

Matdan, matdanfasteners.com and the Matdan logo are trademarks of the Matdan Corporation. Use allowed only with written permission from Matdan. The contents of this publication are copyrighted 2007 Matdan Corporation. All rights reserved. Copies may be obtained from the company. Published specifications are subject to change without notice.

For ordering information call 513-794-0500 or E-mail: sales@matdanfasteners.com  
 Published specifications are subject to change without notice. ©2007 Matdan Corporation. All rights reserved.