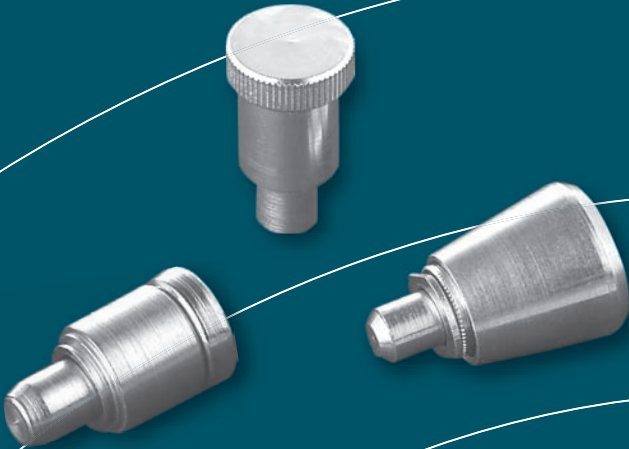




QUALITY FASTENERS™

SPRING LOADED PLUNGERS
Designer's Guide



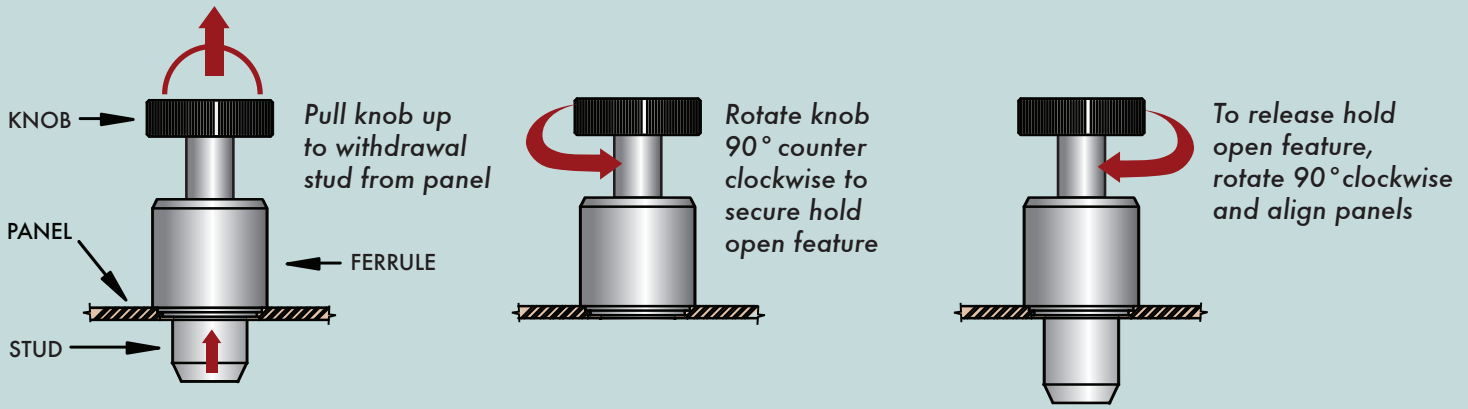
SPRING LOADED PLUNGERS

Features & Benefits



- Allow quick release of sliding parts
- Function as locator or hinge pin for removable doors or drawers
- Available with hold open feature

Hold Open Feature



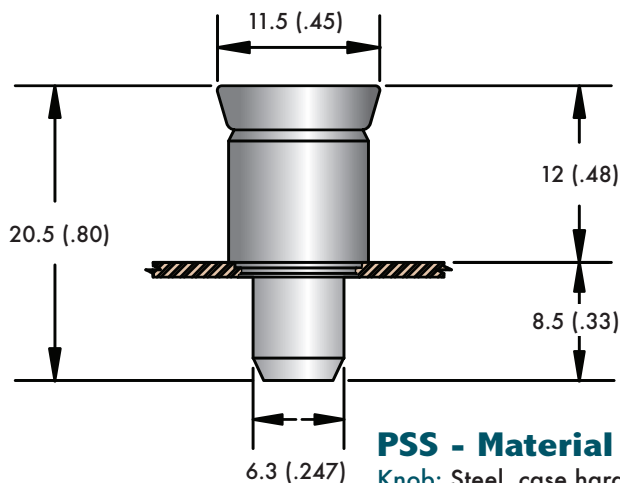
PSS - Press in



PSS Part Number Callout

PSS - [Feature Code] - [Finish Code]

| | | | |
|---|---------------|---|---------------------|
| H | Hold Open | Z | Zinc Clear Chromate |
| N | Non-Hold Open | B | Black Nitride |



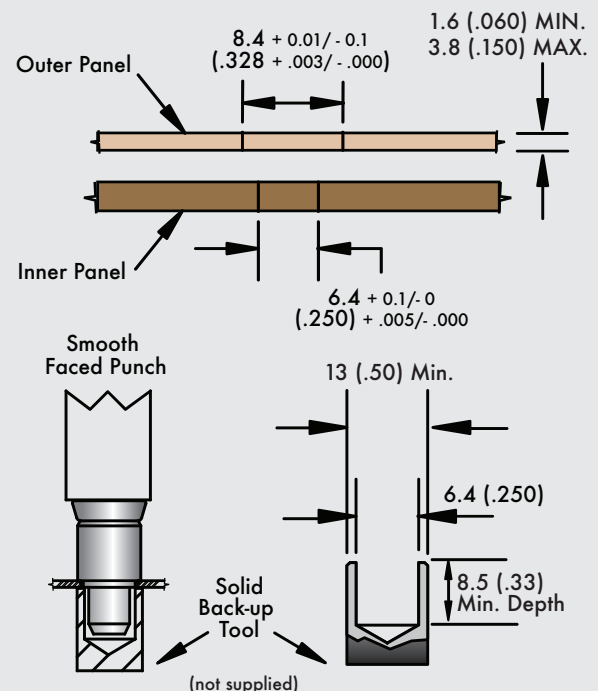
PSS - Material

Knob: Steel, case hardened
Spring: Stainless Steel, passivated
Stud: Steel
Ferrule: Steel, case hardened

NOTE:

1. For use in material hardness rb85 or less.
2. Recommended minimum distance from edge of panel to centerline of hole is 9.6 (.375)

Installation Instructions



*To install, press knob with approximately 3000 lbs. for steel, 1500 lbs. for aluminum panels until ferrule sits flush with panel.

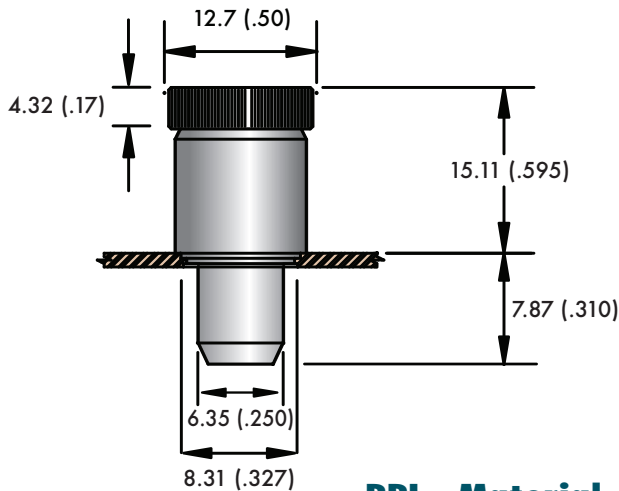
PPL - Press in



PPL Part Number Callout

PPL - [Feature Code] - [Finish Code]

| | | | |
|----------|---------------|----------|---------------------|
| H | Hold Open | Z | Zinc Clear Chromate |
| N | Non-Hold Open | B | Black Nitride |



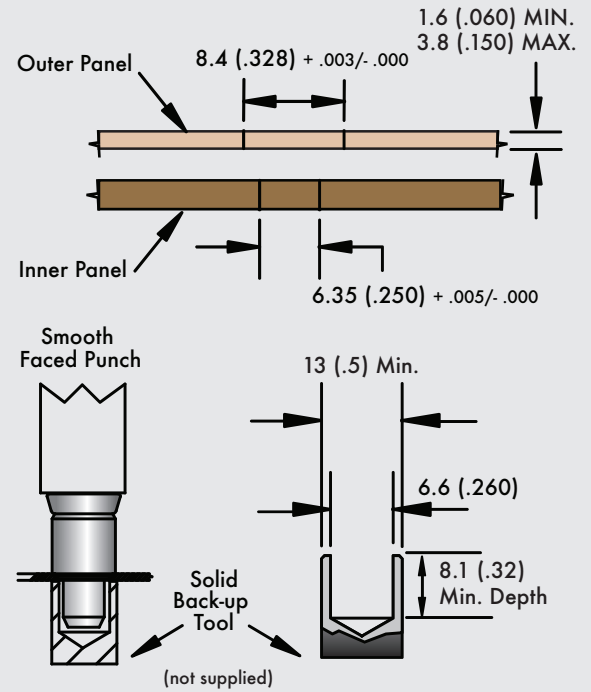
PPL - Material

Knob: Steel, case hardened
Spring: Stainless steel, passivated
Stud: Steel
Ferrule: Steel, case hardened

NOTE:

1. For use in material hardness rb80 or less.
2. Recommended minimum distance from edge of panel to centerline of hole is 8.64 (.34).

Installation Instructions



*To install, press knob with approximately 4000 lbs. for steel, 3000 lbs. for aluminum panels until ferrule sits flush with panel.

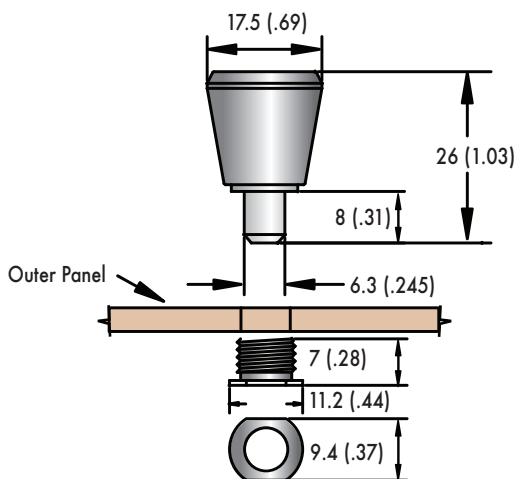
PSL - Thread in



PSL Part Number Callout

PSL - [Feature Code] - [Finish Code]

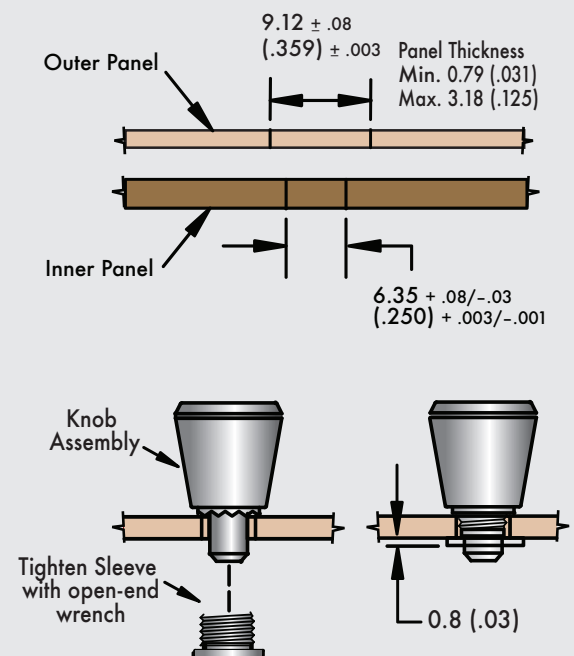
| | | | |
|----------|---------------|----------|------------------|
| H | Hold Open | N | Natural Aluminum |
| N | Non-Hold Open | B | Black Nitride |



PSL - Material

Knob: 6000 Series aluminum
Spring: Stainless steel, passivated
Stud: Low carbon steel, case hardened
Shell & Sleeve: 12L14 Steel, zinc plate, chromate plus sealer
Detent Washer: 1064 Steel

Installation Instructions





| Standard Products | Installation Styles | | | | Replaces Southco® | Replaces PEM® |
|---|---------------------|----------|----------|----------|-------------------|---|
| | Press-In | Flare-In | Floating | PC Board | | |
| MC™ Series Retractable Captive Screws | MCPT™ | MCFT™ | MCL™ | MCB™ | 47 | PF11™ PF12™ PF13™ PF14™ |
| MP™ Series Retractable Captive Screws | MPPT™ | MPFT™ | MPL™ | MPB™ | – | PF30™ PF31™ PF32™ PF50™ PF60™ |
| MM™ Series “Low Head” Miniature Retractable Screws | MMP™ | MMF™ | MML™ | MMB™ | 52 | PFS2™ PFC2™ |
| MS™ Series “High Head” Miniature Retractable Screws | MSP™ | MSF™ | MSL™ | MSB™ | 52 | – |
| MF™ Series Flush Mount Captive Screws | √ | – | – | – | F5 | PF10 |
| Spring Loaded Plungers | √ | √ | – | √ | 56 | PTL2 |
| MFL™ Product Series “Speed Lead”™ Captive Screws | | | | | 09 12 | – |
| SLS™ “Speed Latch” System | | | | | – | – |
| MTS™ Series “Snap-In”™ Captive Screws | | | | | – | – |
| Q™ Series Quarter-Turn Fasteners & Receptacles | | | | | 81 82 85 | – |

©Southco is a registered trademark of Southco, Inc. PF11, PF12, PF13, PF14, PF30, PF31, PF32, PF50, PF60, PFC, PFC2 & ©PEM are trademarks of Penn Engineering & Manufacturing Corp.

| | |
|--|---|
| Headquarters: Matdan Corporation Cincinnati, Ohio 45242, USA Tel: 513 - 794 - 0500 Fax: 513 - 794 - 0651 E-mail: sales@matdanfasteners.com | China Company: Matdan (Ningbo) Specialty Hardware Co., Ltd. Ningbo, Zhejiang Province, China 315803 E-mail: sales_cn@matdanfasteners.com |
|--|---|

www.matdanfasteners.com

Matdan, matdanfasteners.com and the Matdan logo are trademarks of the Matdan Corporation. Use allowed only with written permission from Matdan. The contents of this publication are copyrighted 2007 Matdan Corporation. All rights reserved. Copies may be obtained from the company. Published specifications are subject to change without notice.

For ordering information call 513-794-0500 or E-mail: sales@matdanfasteners.com
 Published specifications are subject to change without notice. ©2007 Matdan Corporation. All rights reserved.